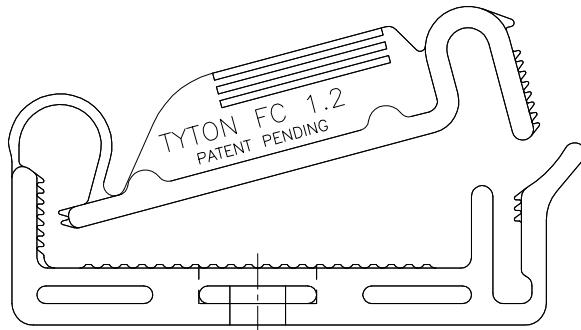
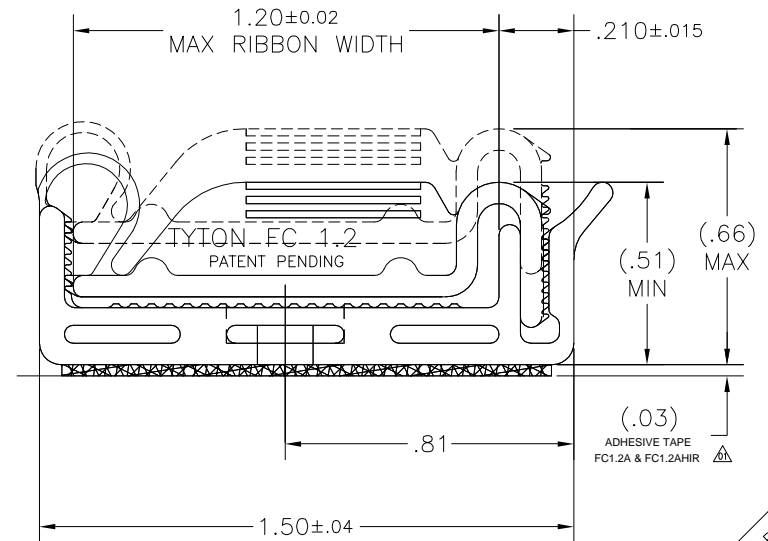
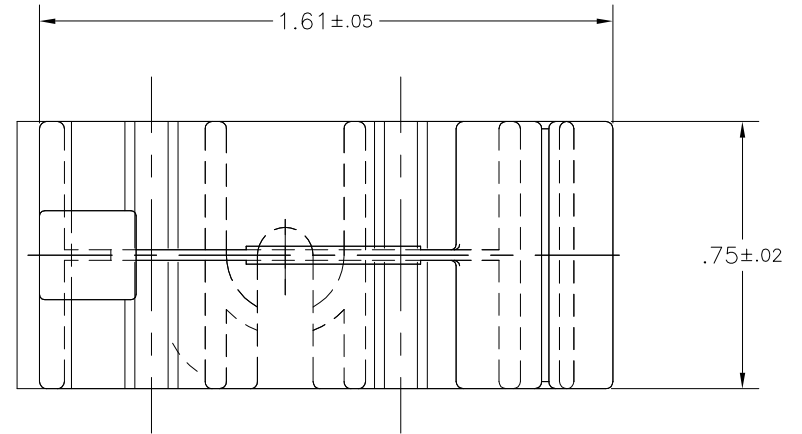


AS MOLDED
FULL SIZE



AS MOLDED
FC1.2



REDUCED
NO SCALE

PART NUMBER	MOUNTING METHOD	MATERIAL	COLOR	CLAMP RANGE	
				MIN	MAX
FC1.2AHR	ADHESIVE TAPE	PA66HIR	BLACK	.030	.180
FC1.2HIR	#6 SCREW	PA66HIR			
FC1.2A	ADHESIVE TAPE	PA66	GRAY		
FC1.2	#6 SCREW	PA66			

1) WIRE CAPACITY = 1 TO 5 (28 AWG 7/36) FLAT RIBBON CABLES WITH UP TO 20 CONDUCTORS.

HellermannTyton

ALL PROPRIETARY RIGHTS IN THE SUBJECT MATTER SHOWN ON THIS DRAWING ARE EXCLUSIVE PROPERTY OF HELLERMANN TYTON

name	date	city, state

NOTES

REVISION	level	01
DATE	date	08/24/06
BY	by	AAC
ECN	ECN #	010491
part level		B

TOLERANCES	.XXXX = ±.0005
	.XXX = ±.005
	.XX = ±.01
	.X = ±.03
	∠ = ±0.5°
	unless otherwise specified
units	inches

number	SEE CHART	phase	PRODUCTION
name	FC1.2 AND FC1.2A ADJUSTABLE FLAT RIBBON CLAMP		
material	SEE CHART		

FORMAT	C	units	in	CAD	ACAD	scale	4X
computer file number	CP\CST\3002006_01						
checked	K.A.C.	checked	K.A.C.	approved		previous number	
date	11/7/98	date	08/24/06	sheet	1 of 1	customer	
number	CP3002006CST						