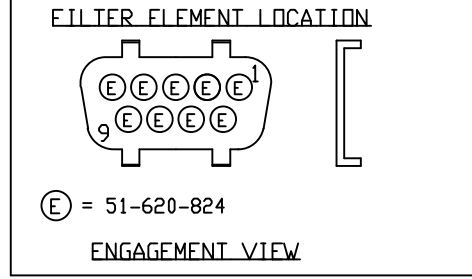
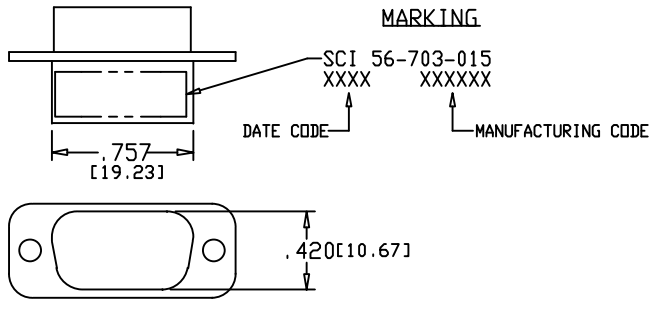
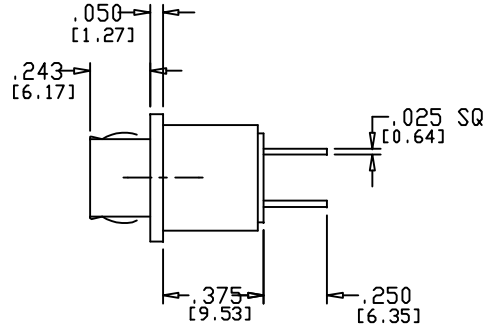
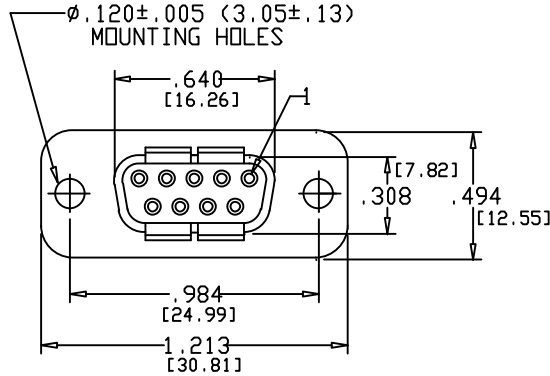


CONN SIZE	FILTER DESIGNATION	FILTER CIRCUITS	CAPACITANCE		3 dB MAX CUTOFF FREQ (MHz)	DIELECTRIC WITHSTANDING VOLTAGE	CONTACT RATING	CONTACT RESIST	WORKING VOLTAGE DC -55°C TO +125°C	MINIMUM INSERTION LOSS-DECIBELS (dB)							
			VALUE	TOLERANCE						5 MHz	10 MHz	20 MHz	50 MHz	100 MHz	200 MHz	500 MHz	1 GHz
9	E	Pi	4000pF	+100% -0%	0.8	150V	5A	.010 OHM MAX	50V	8	13	20	35	48	61	76	80



- NOTES:**
1. SHELL: NICKEL PLATED ZINC
 2. INSULATORS: UL94V-0
 3. CONTACTS: COPPER ALLOY; .000030 GOLD IN SOCKET CONTACT MATING AREAS.
 4. RADIO FREQUENCY GROUND CONTACT FROM THE CONNECTOR SHELL TO THE MATING CONNECTOR IS ASSURED BY A COAXIAL SPRING CLIP



THIS DOCUMENT CONTAINS PROPRIETARY INFORMATION IS COPYRIGHTED. EXCEPT WITH THE WRITTEN PERMISSION OF SPECTRUM CONTROL INC., OR ITS SUBSIDIARIES, SUCH INFORMATION SHALL NOT BE PUBLISHED OR DISCLOSED TO OTHERS OR USED FOR ANY PURPOSE AND THIS DOCUMENT SHALL NOT BE DUPLICATED IN WHOLE OR IN PART.

										25	REV.	UNLESS OTHERWISE SPECIFIED DIMENSIONS ARE IN INCHES. CADD SCALE: FULL PLOT SCALE: 2x	TOLERANCES UNLESS OTHERWISE SPECIFIED Fraction/54 Dec. .xx± Dec. .xxx±.015 Angles ±0° 30'	SPECTRUM CONTROL INC. Description SOCKET-PCB 9L FILTERED CONNECTOR	CONNECTOR PRODUCTS DIVISION ERIE, PENNSYLVANIA			
										CN 5943	CHANGE NOTICE				Dec. 04/02/97	Dwnt. KOBIERSKI	SPECTRUM CONTROL INC.	
															CODE IDENT. NO. 33095	Apv.	B 56-703-015	
																Sheet 1 of		

Quality Products From The Specialists In Electro-Magnetic Compatibility