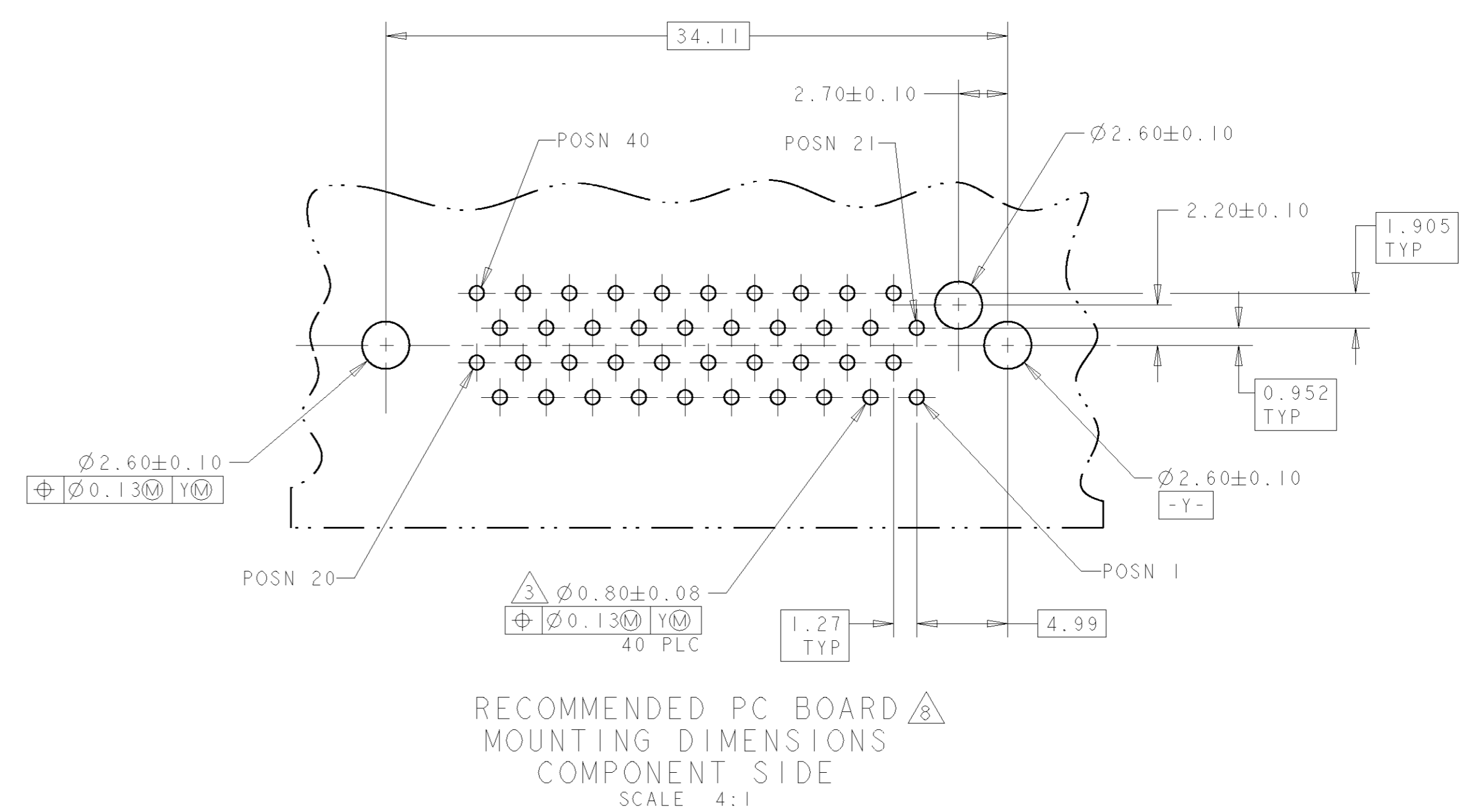
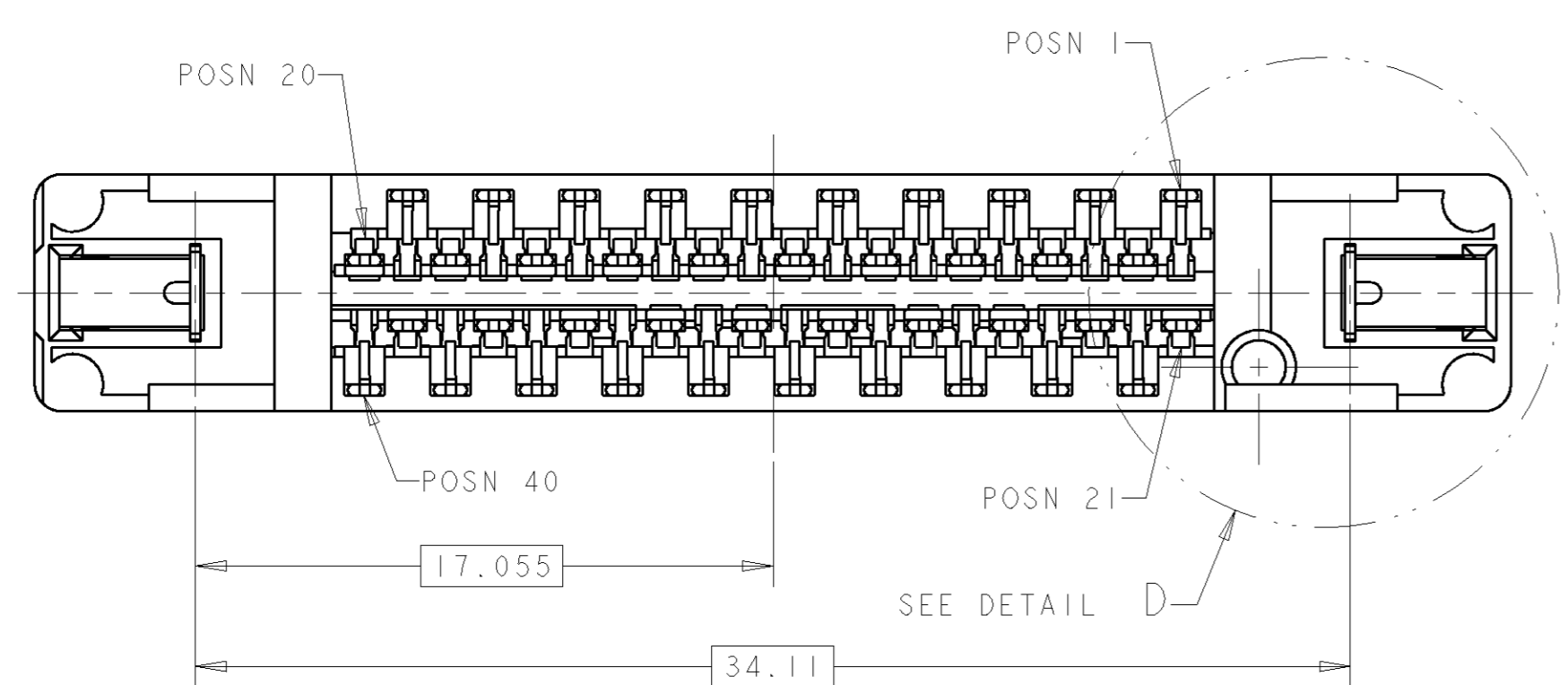
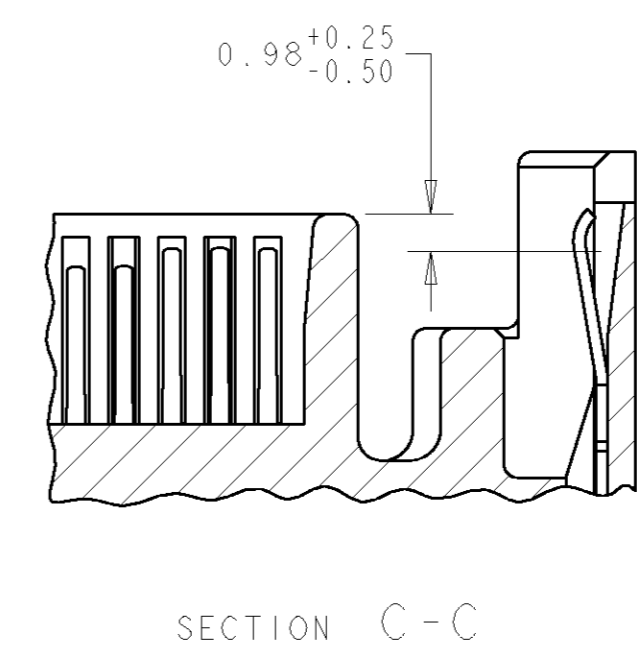
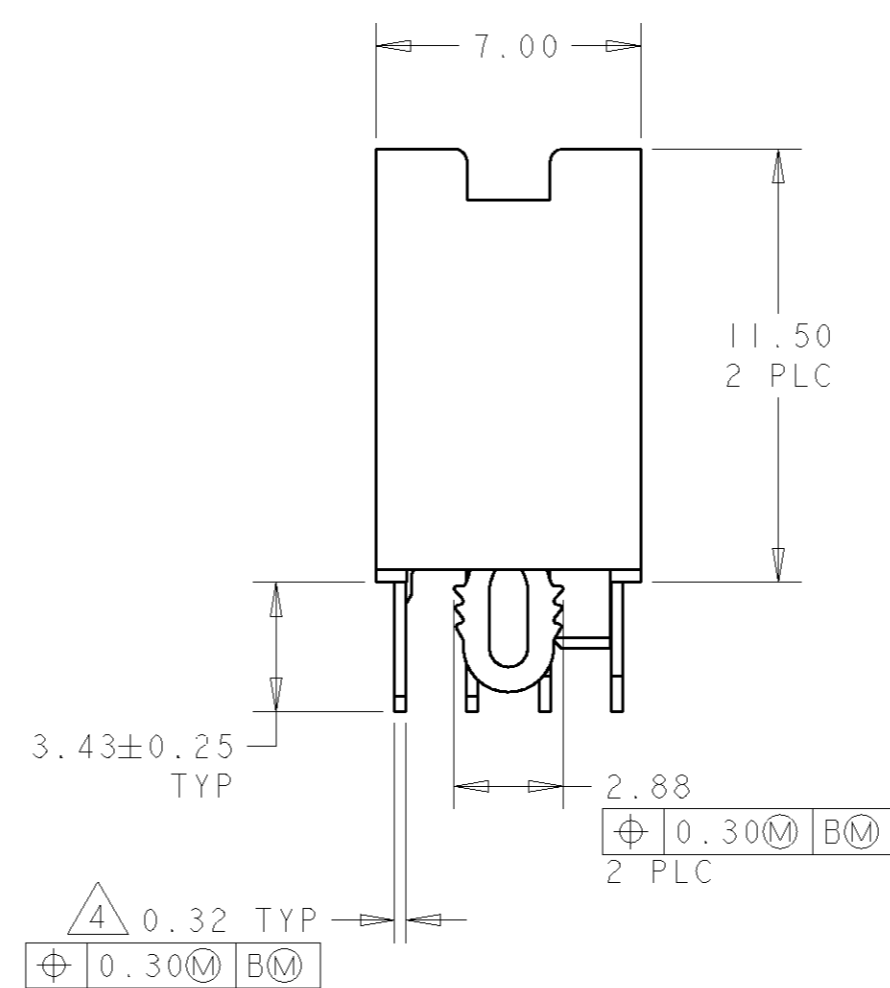
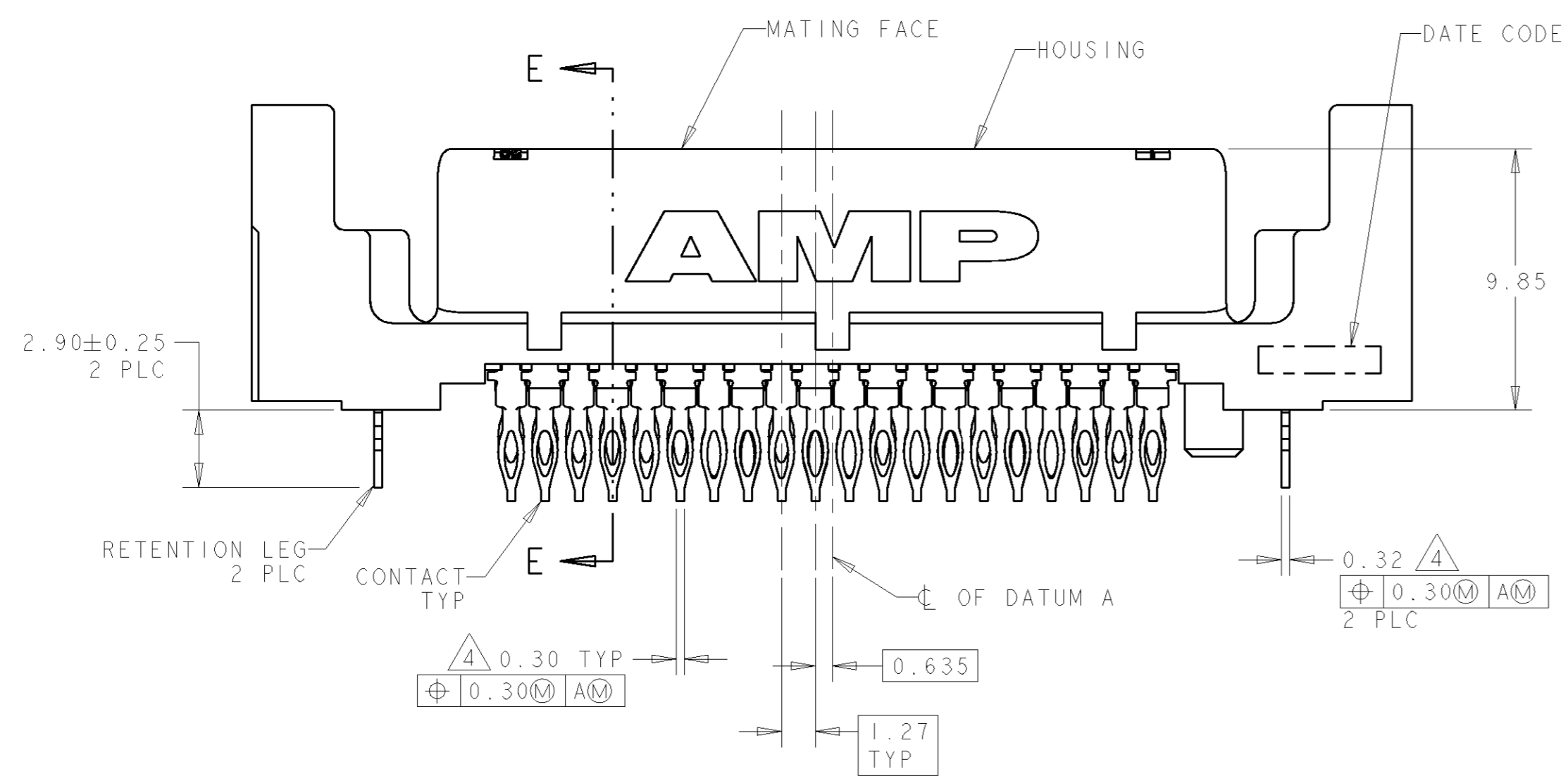
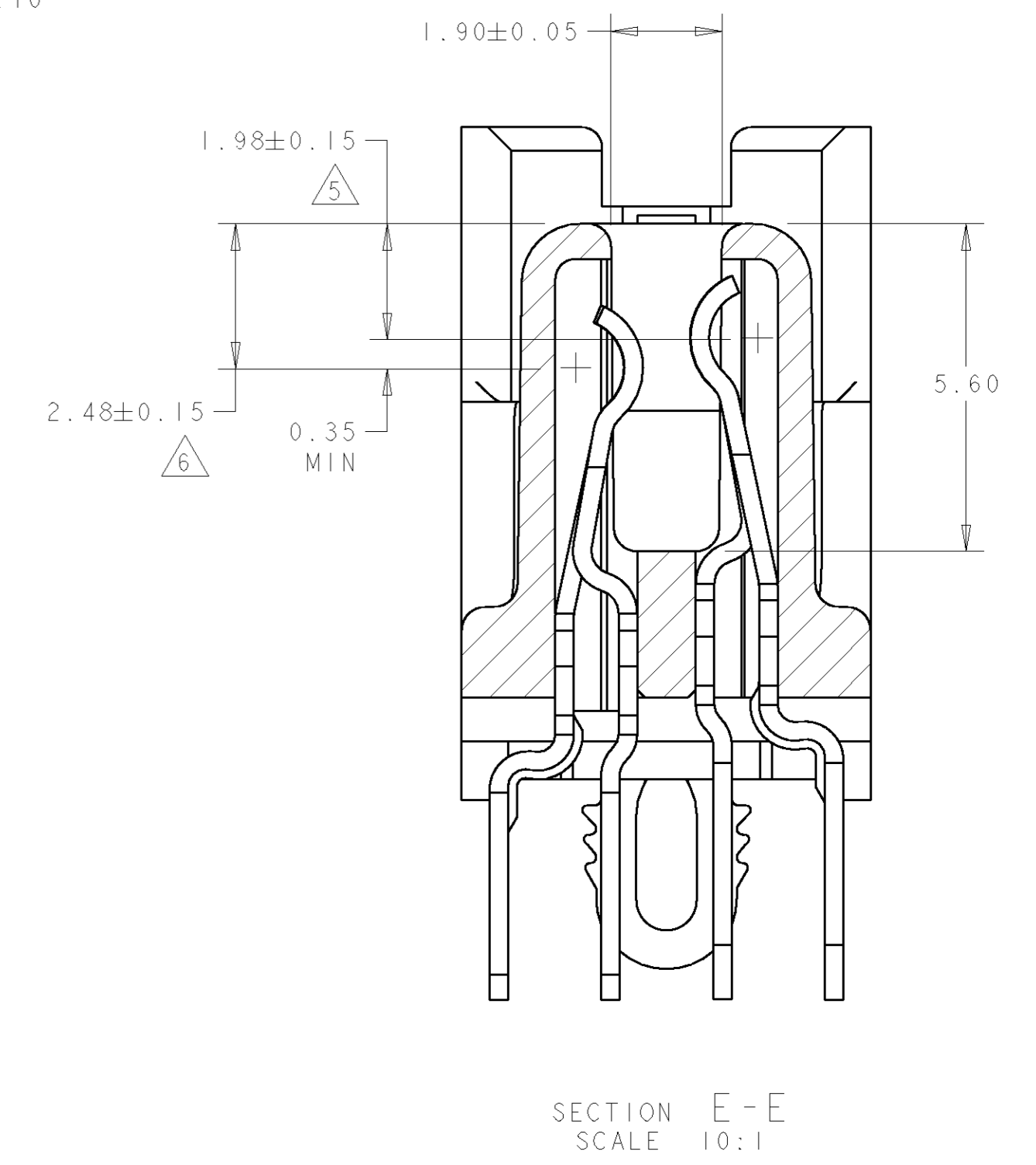
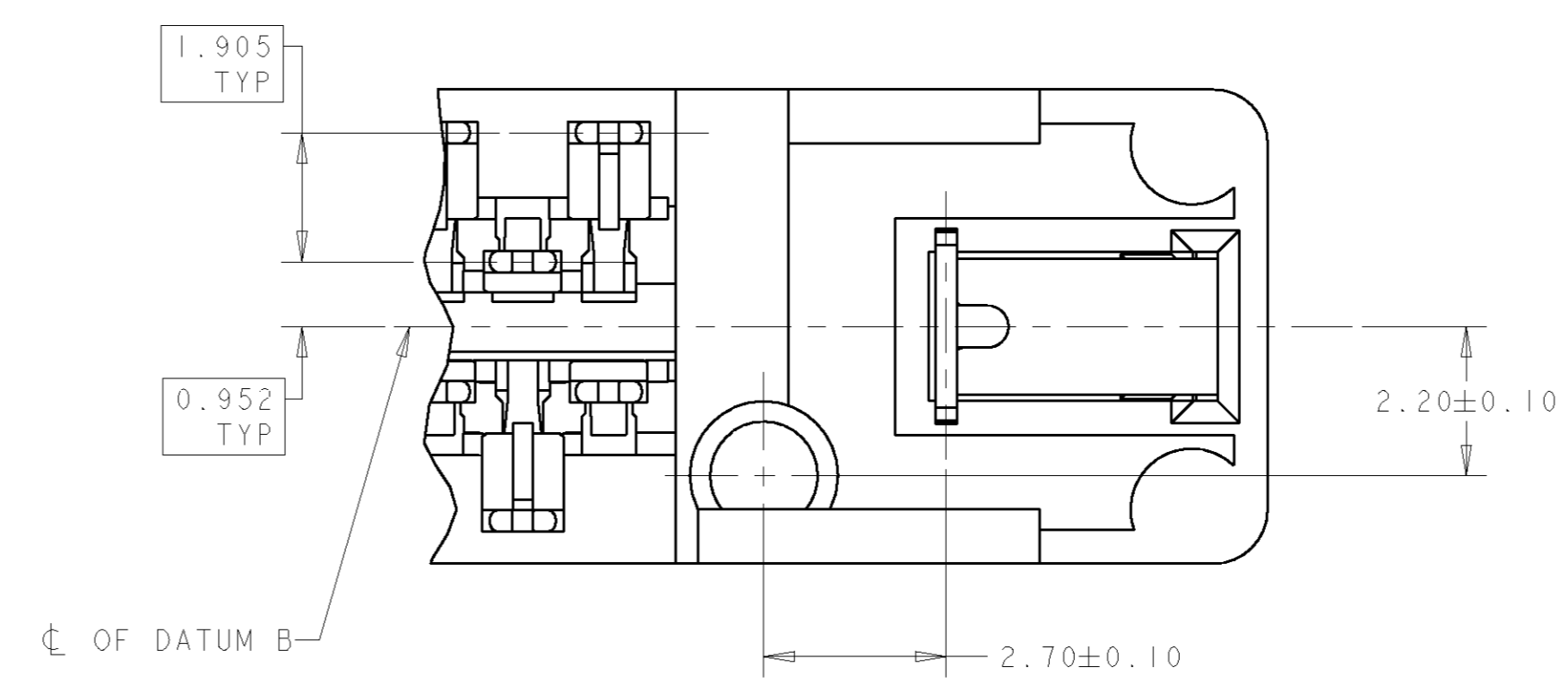
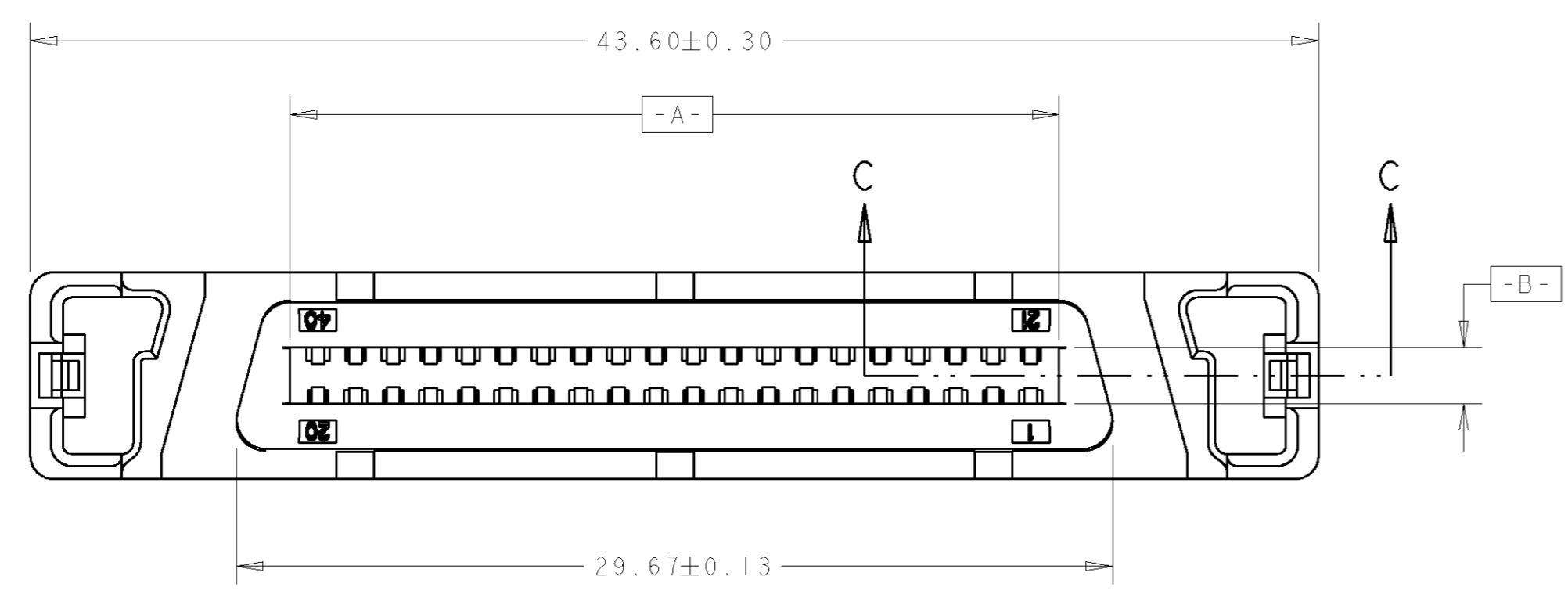


LOC	DIST	REVISIONS			
F	LTR	DESCRIPTION	DATE	DWN	APPR
C		REVISED PER EC 0513-0543-04	04MAR05	JG	SS



- 1 HOUSING: LCP, UL 94V-0 RATED, BLACK. CONTACTS: PHOSPHOR BRONZE. RETENTION LEG: BRASS.
- 2 0.76µm GOLD FOR A LENGTH OF 1.20 MIN STARTING 0.50 MAX FROM MATING END, 1.27µm-3.81µm TIN-LEAD FOR A LENGTH OF 3.43 MIN FROM OPPOSITE END, BOTH OVER 1.27µm MIN NICKEL.
- 3 RECOMMENDED DRILLED HOLE SIZE BEFORE PLATING IS Ø0.87 TO Ø0.93.
- 4 POSITION TOLERANCE APPLIES AT CONTACT TIP ONLY.
- 5 DIMENSION APPLIES TO CONTACT POSITIONS 21, 22, 23, 26, 29, 32, AND 35 THRU 40.
- 6 DIMENSION APPLIES TO CONTACT POSITIONS 1 THRU 20, 24, 25, 27, 28, 30, 31, 33, AND 34.
- 7 3.81µm MIN TIN-LEAD OVER 1.27µm MIN NICKEL.
- 8 RECOMMENDED PC BOARD THICKNESS IS 2.36 TO 3.81.
- 9 0.76µm GOLD FOR A LENGTH OF 1.20 MIN STARTING 0.50 MAX FROM MATING END, 1.27µm-3.81µm MATTE TIN FOR A LENGTH OF 3.43 MIN FROM OPPOSITE END, BOTH OVER 1.27µm MIN NICKEL.
- 10 3.81µm MIN HALT TIN OVER 1.27µm MIN NICKEL.

RECOMMENDED PC BOARD MOUNTING DIMENSIONS COMPONENT SIDE  
 SCALE 4:1

RETENTION LEG FINISH	CONTACT FINISH	796068-3
		796068-1
		PART NUMBER

DRAWN: R. FOLTZ	DATE: 07NOV97	AMP INCORPORATED
CHK: J. SWANK	DATE: 10NOV97	Harrisburg, PA 17105-3608
APPROVED: J. SWANK	DATE: 10NOV97	NAME: RECEPTACLE ASSEMBLY, VERTICAL, 40 POSITION, PRESS FIT, CHAMP™ BLINDMATE .050 SERIES 1
		SIZE: 108-1548
		APPLICATION SPEC: -
		WEIGHT: -
		SCALE: 5:1
		SHEET 1 OF 1
		REV C

DIMENSIONS:	TOLERANCES UNLESS OTHERWISE SPECIFIED:
mm	0 PLC ±
	1 PLC ±
	2 PLC ±0.10
	3 PLC ±
	4 PLC ±
	ANGLES ±
MATERIAL:	FINISH:
	SEE TABLE