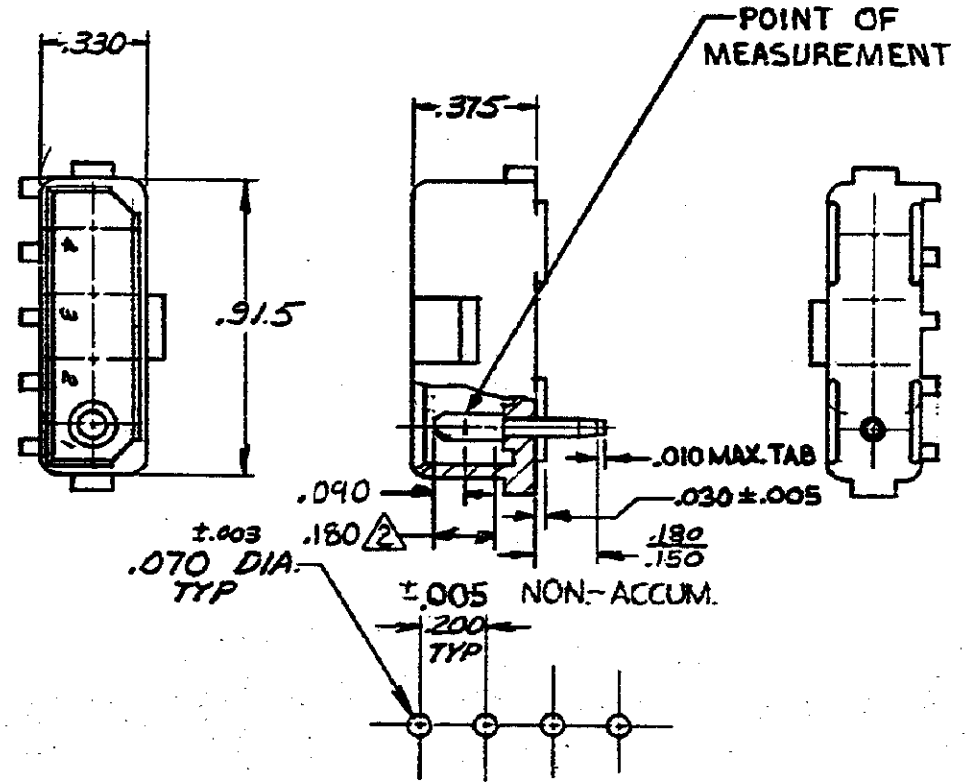


DRAWING MADE IN AMERICAN PROJECTION

S

WAS P-73-6103

DIMENSIONS IN INCHES. DO NOT SCALE PRINT.



RECOMMENDED LAYOUT FOR  
.062 THICK P.C. BOARD

- 1. PARTS COMPLY WITH AMP SOLDERABILITY SPEC. 109-11-3
- 2. CONTACT IS PLATED OVERALL WITH .000050 NICKEL, THEN .000030 GOLD OVER CONTACT LENGTH INDICATED AND MATTE TIN ON SOLDER TAIL END.

5-350543-2	NYLON - GREEN	COPPER ALLOY - GOLD $\Delta$
350543-2	NYLON - NATURAL	COPPER ALLOY - GOLD $\Delta$
350543-1	NYLON - NATURAL	COPPER ALLOY PRE-TIN
ASSEMBLY NO. HSG. MATL & COLOR		PIN MATL & FINISH

NUMBER 350543	REQUIRED PER ASSEMBLY		
	DR 9-30-73 G. Eckman	MATERIAL AND FINISH SEE TABLE	TE Connectivity
	CHK 4/11/73 L.M. Attwood	WIRE - RANGE - INSULATION H - 1 - H	CLASS CB4 DIA. PIN
	DE 4-10-73 J. Humble	TOLERANCE EXCEPT AS NOTED ±.015 ±.002	SCALE -H-
	APP 4-10-73 J. Humble	LOC CM B	NO 350543
DESCRIPTION 4 CIRCUIT MATE-N-LOK P.C. BOARD HEADER		TYPE POSITIVE LOCK	REV N1

N1	REVISED PER ECO-11-005294	RK	HMR	12 APR 73
LTR	REVISION RECORD	DR	CHK	DATE