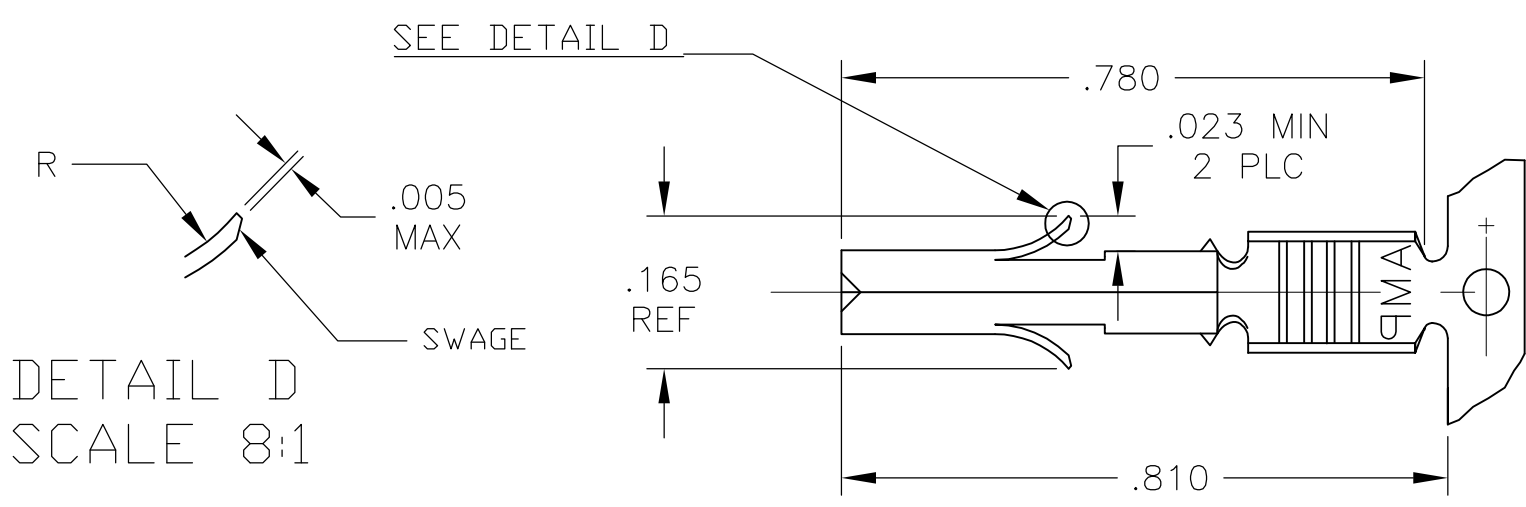


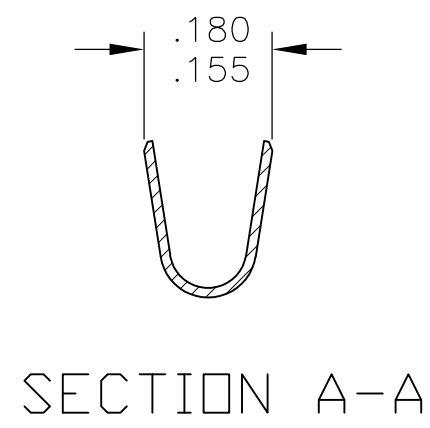
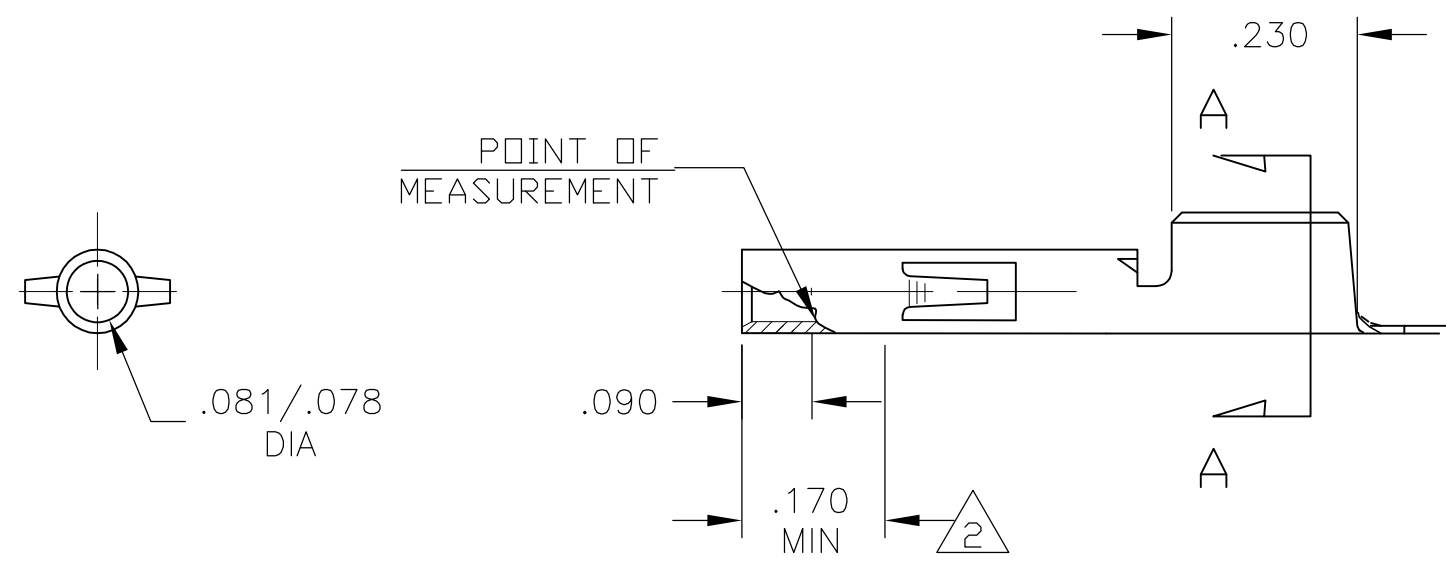
THIS DRAWING IS UNPUBLISHED. RELEASED FOR PUBLICATION
 © COPYRIGHT - By - ALL RIGHTS RESERVED.

LOC	DIST	REVISIONS					
AF	58	P	LTR	DESCRIPTION	DATE	DWN	APVD
		S2		REV PER ECO 11-020508	11OCT11	JR	TM



DETAIL D
SCALE 8:1

- WIRE RANGE : 12-10 AWG
INSULATION RANGE: .200 DIA MAX
(LIMITED BY THE CONNECTOR HOUSING CAVITY).
- .000030 THK GOLD, OVER .000050 NICKEL UNDERPLATE ON INSIDE OF RECEPTACLE, REMAINDER OF CONTACT IS NICKEL PLATED.
- GOLD OVER NICKEL UNDERPLATE ON ENTIRE STAMPING, .000030 MIN GOLD AT POINT OF MEASUREMENT IN CONTACT AREA, GOLD FLASH MIN IN WIRE BARREL.



640310-6	GOLD $\triangle 2$.012±.001 PHOS BRZ	350923-6
---	GOLD $\triangle 3$.012±.001 PHOS BRZ	350923-4
640310-3	PRE-TIN	.012±.001 PHOS BRZ	350923-3
LOOSE PIECE P/N REF	FINISH	MATERIAL	PART NUMBER

THIS DRAWING IS A CONTROLLED DOCUMENT.		DWN jr_ruth 11OCT11	STE TE Connectivity													
DIMENSIONS: INCHES		CHK TOM MICHIELUTTI 11OCT11														
TOLERANCES UNLESS OTHERWISE SPECIFIED:		APVD TOM MICHIELUTTI 11OCT11	NAME SOCKET UNIVERSAL MATE-N-LOK													
<table border="1"> <tr><td>0 PLC</td><td>± -</td></tr> <tr><td>1 PLC</td><td>± -</td></tr> <tr><td>2 PLC</td><td>± -</td></tr> <tr><td>3 PLC</td><td>± .010</td></tr> <tr><td>4 PLC</td><td>± -</td></tr> <tr><td>ANGLES</td><td>± -</td></tr> </table>		0 PLC	± -	1 PLC	± -	2 PLC	± -	3 PLC	± .010	4 PLC	± -	ANGLES	± -	PRODUCT SPEC -	RESTRICTED TO -	
0 PLC	± -															
1 PLC	± -															
2 PLC	± -															
3 PLC	± .010															
4 PLC	± -															
ANGLES	± -															
MATERIAL -		FINISH -	APPLICATION SPEC -	SIZE A3												
		WEIGHT -	CAGE CODE 00779	DRAWING NO C-350923												
CUSTOMER DRAWING			SCALE 4:1	SHEET 1 OF 1												
			REV S2													