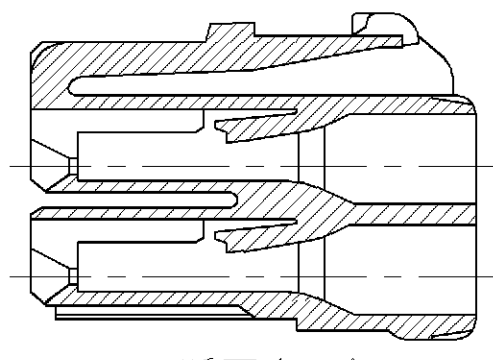
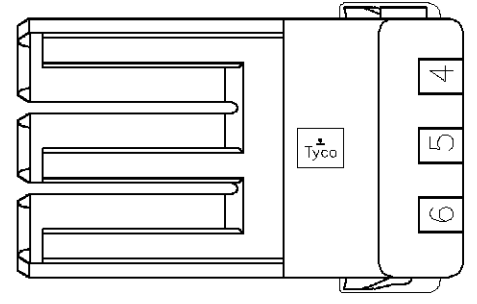
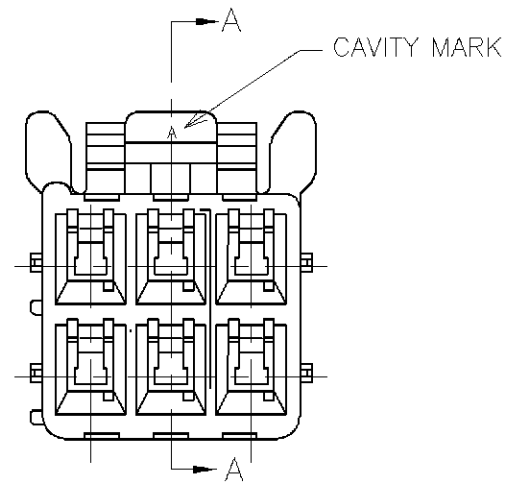
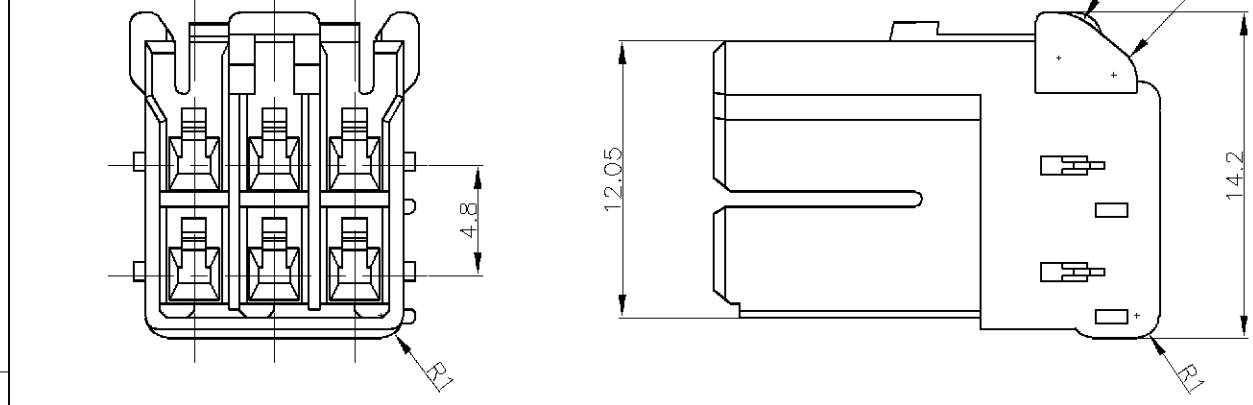
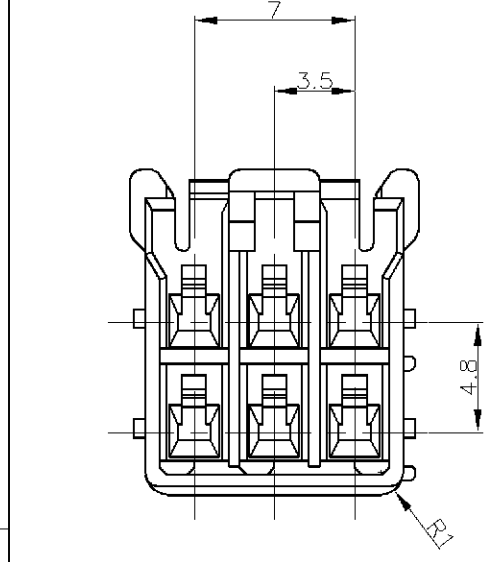
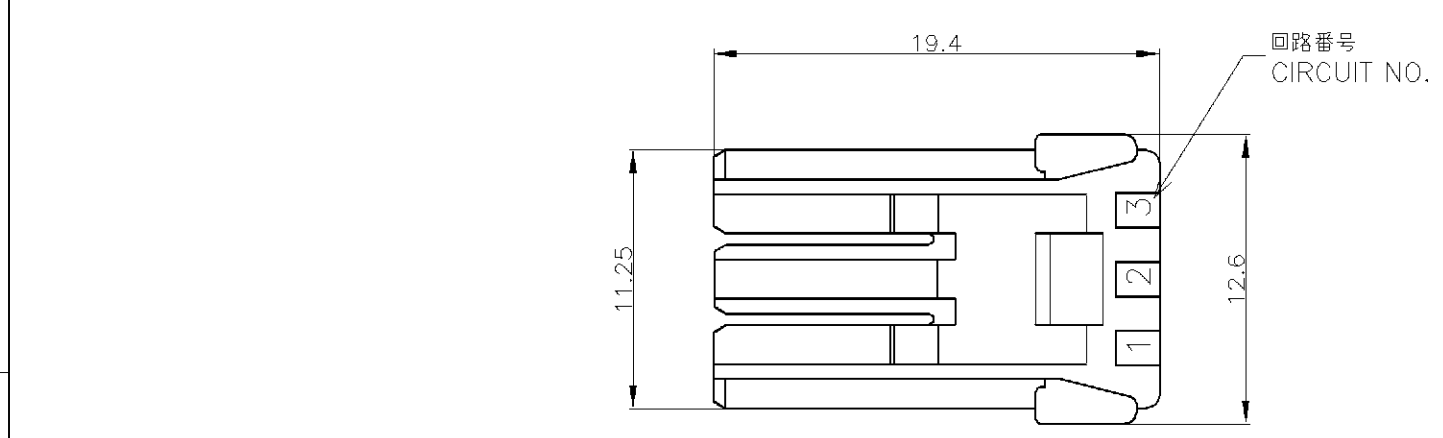
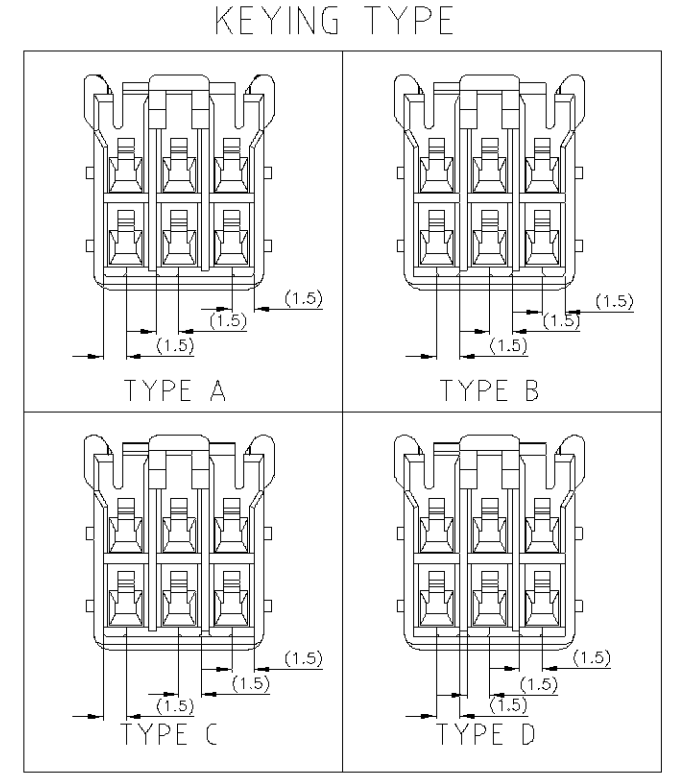


THIS DRAWING IS UNPUBLISHED. RELEASED FOR PUBLICATION
 © COPYRIGHT BY TYCO ELECTRONICS CORPORATION. ALL RIGHTS RESERVED.

LOC	DIST	REVISIONS					
J	—	P	LTR	DESCRIPTION	DATE	DWN	APVD
		0	RELEASED	FJ00-2828-01	30 MAY. '02	A.O	M.S



断面A-A
SECT A-A



3-1565088-4	D	YELLOW	3-1565084-4
2-1565088-3	C	BLUE	2-1565084-3
1-1565088-2	B	RED	1-1565084-2
1565088-1	A	NATURAL	1565084-1
MATING HSG P/N	KEYING TYPE	COLOR	P/N

- 注) 1.一般公差:±0.25
 △材料: 66ナイロン ガラス無(UL94V-0)
 △かん合相手製品型番
 キャップハウジング: TABLE参照のこと
 リセコンタクト: 1565079-1, 1612334-1
 4. 適応プレート型番: 1565090-1

- NOTES)
 1.GENERAL TOLERANCE:±0.25
 △MATERIAL:66 NYLON NON-GLASS FILLED (UL94V-0)
 △MATING CONN. P/N
 CAP HOUSING:SEE TABLE
 REC CONTACT ;1565079-1,1612334-1
 4. APPLICABLE PLATE P/N :1565089-1

THIS DRAWING IS A CONTROLLED DOCUMENT.		DWN A.OISHI 30 MAY. '02	Tyco Electronics AMP K.K. Kawasaki, Japan	
DIMENSIONS: 単位: 耗 MM		CHK M.SHINDO 30 MAY. '02		
TOLERANCES UNLESS OTHERWISE SPECIFIED: 一般公差		APVD M.SHINDO 30 MAY. '02	NAME 名称 GRACE INERTIA CONNECTOR 3.5 6POS PLUG HOUSING	
0 PLC ± 1 PLC ± 2 PLC ± 3 PLC ± 4 PLC ± ANGLES ±		PRODUCT SPEC 製品規格 108-5810	APVD M.SHINDO 30 MAY. '02	
MATERIAL 材料 SEE NOTE△		FINISH 仕上 -	APPLICATION SPEC 取付適用規格 114-5306	
		WEIGHT -	SIZE A3	
		CUSTOMER DRAWING		RESTRICTED TO -
		SCALE 尺度 -		SHEET 1 OF 1
		DWN A.OISHI 30 MAY. '02		REV 0