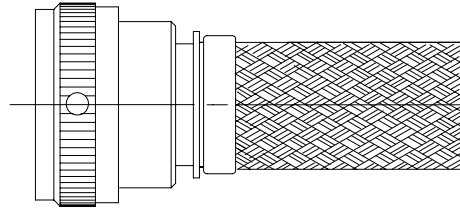


REVISIONS			
LTR	DESCRIPTION	DATE	APPROVED
K	REVISED PER ECN AD93079		



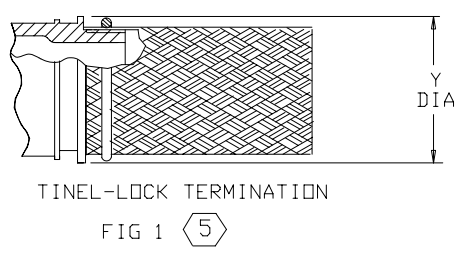
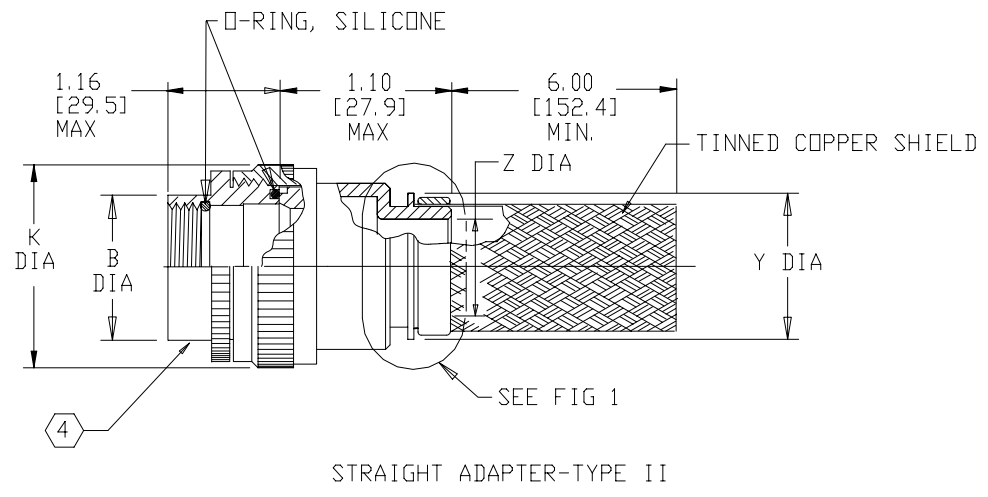
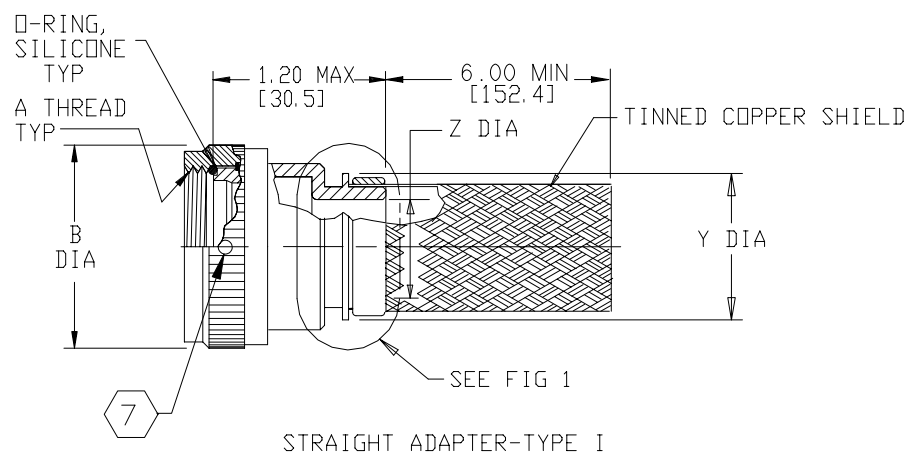
CODE 21, SHIELDED STRAIGHT ADAPTER

- NOTES:
- THIS PRODUCT IS DESIGNED TO TERMINATE A HEAT SHRINKABLE LIPPED BOOT TO A CONNECTOR.
  - FOR ADDITIONAL DIMENSIONS, ORDERING INFORMATION AND MODIFICATIONS, SEE CH00-0250-004.
  - ADAPTER TO BE PERMANENTLY MARKED WITH CODE IDENT. NO. AND PART NO. (E.G.: 06090-206M012-19B08).
  - FOR LARGER ENTRY SIZES, A 2 PIECE ADAPTER (TYPE II) IS SUPPLIED.
  - BRAID TERMINATION RING MAY BE SUPPLIED AS TINEL-LOCK SHAPE MEMORY RING AT MANUFACTURER'S OPTION.
  - ADAPTER MATES TO MIL-C-26482 SERIES I, MS3110, MS3111, MS3116 CLASS E & F CONNECTORS.
  - ANTI-ROTATIONAL SET SCREW, 3 THREADED HOLES  $120^\circ \pm 5^\circ$  APART, SINGLE MATING SET SCREW SUPPLIED: AN565DC4H2. NOT REQUIRED FOR TYPE II ADAPTERS.

If this document is printed it becomes uncontrolled.  
Check for the latest revision.

SPECIFICATION CONTROL DRAWING

UNLESS OTHERWISE SPECIFIED DIMENSIONS ARE IN INCHES. METRIC DIMENSIONS ARE IN BRACKETS.  DECIMALS .XXX ± — [ mm] .XX ± — [ mm] .X ± — [ mm]  ANGLES .X ± —	DRAWN E. GOLDY	DATE 05-24-93		Tyco Electronics Corporation 300 Constitution Drive Menlo Park, CA. 94025 U.S.A.		
	CHECKED	DATE				
	APPROVED W. C. GAY	DATE 05-19-93	TITLE ADAPTER, SHIELD, STRAIGHT CODE 21			
	APPROVED	DATE	CAD NAME \ACAD12\206M0XX	SIZE A	CODE IDENT. NO. 06090	DWG. NO. 206M0XX
THIRD ANGLE PROJECTION 	DO NOT SCALE THIS DWG		SHEET 1 OF 3			



If this document is printed it becomes uncontrolled.  
 Check for the latest revision.

SIZE	CODE IDENT. NO.	DWG. NO.	REV
A	06090	206M0XX	K
DO NOT SCALE THIS DWG		CAD NAME \ACAD12\206M0X-2	SHEET 2 OF 3

TABLE I

BASE PART NO.	SHELL SIZE 6	MAX ENTRY SIZE TYPE I 4	A THREAD CLASS 2B	B DIA MAX
206M008	8	04	.438-28 UNEF	.72 [18.3]
206M010	10	06	.562-24 UNEF	.85 [21.6]
206M012	12	08	.688-24 UNEF	.98 [24.9]
206M014	14	10	.812-20 UNEF	1.11 [28.2]
206M016	16	12	.938-20 UNEF	1.23 [31.2]
206M018	18	13	1.062-18 UNEF	1.35 [34.3]
206M020	20	15	1.188-18 UNEF	1.48 [37.6]
206M022	22	16	1.312-18 UNEF	1.60 [40.6]
206M024	24	18	1.438-18 UNEF	1.70 [43.2]

TABLE II

ENTRY SIZE	K MAX	Z ±.020 [±0.51]	Y DIA MIN
03	NA	.187 [4.75]	.393 [9.98]
04	NA	.250 [6.35]	.456 [11.58]
05	.80 [20.3]	.312 [7.92]	.515 [13.08]
06	.80 [20.3]	.375 [9.53]	.581 [14.76]
07	.92 [23.4]	.438 [11.13]	.643 [16.33]
08	.92 [23.4]	.500 [12.70]	.705 [17.91]
09	1.18 [30.0]	.562 [14.27]	.705 [17.91]
10	1.18 [30.0]	.625 [15.88]	.831 [21.11]
11	1.18 [30.0]	.688 [17.48]	.893 [22.68]
12	1.35 [34.3]	.750 [19.05]	.953 [24.21]
13	1.41 [35.8]	.812 [20.62]	.953 [24.21]
14	1.41 [35.8]	.875 [22.23]	1.081 [27.46]
15	1.60 [40.6]	.938 [23.83]	1.143 [29.03]
16	1.60 [40.6]	1.000 [25.40]	1.205 [30.61]
18	1.66 [42.2]	1.125 [28.58]	1.381 [35.08]
20	2.04 [51.8]	1.250 [31.75]	1.506 [38.25]
22	2.23 [56.6]	1.375 [34.93]	1.631 [41.43]
24	2.23 [56.6]	1.500 [38.10]	1.756 [44.60]
28	2.48 [63.0]	1.750 [44.45]	2.004 [50.90]

If this document is printed it becomes uncontrolled.  
Check for the latest revision.

SIZE A	CODE IDENT. NO. 06090	DWG. NO. 206M0XX	REV K
DO NOT SCALE THIS DWG		CAD NAME \ACAD12\206M0X-3	SHEET 3 OF 3