

PRODUCT NUMBER	PITCH
EOxx01x2A0J0G	5.00 mm

N = Number of poles
 Dim A=Nx5.0+0.40
 Dim B=(N-1)x5.0

POLES	Tolerance
2P	±0.10
3-6p	±0.15
7-12p	±0.20
13-18p	±0.30
19-24p	±0.40

PART NO.: EO xx 01 x 2 A0J0 G

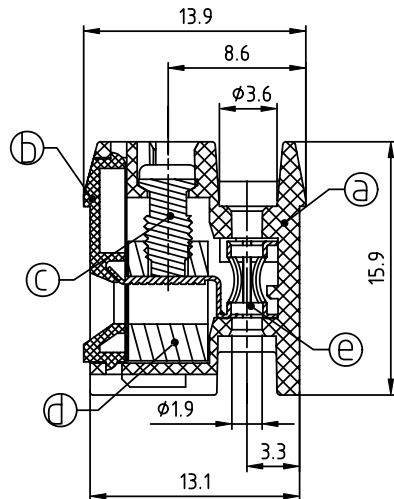
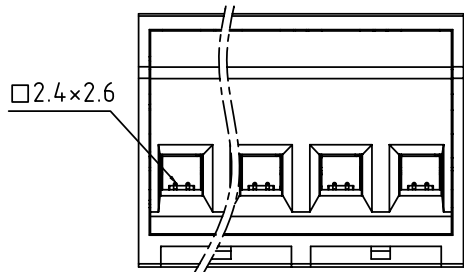
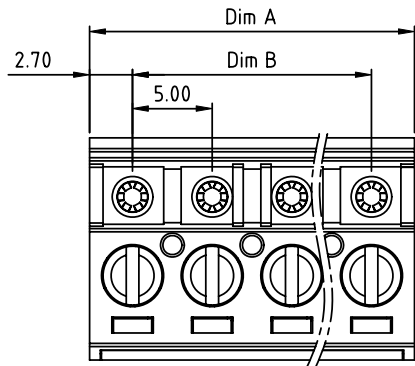
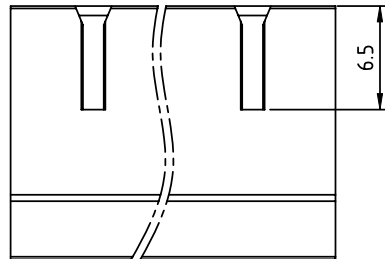
- | | | |
|---|---|--|
| Solid block
No. of poles
02 2 poles
03 3 poles
...
24 24 poles | Body Color
0 Black (RAL9005)
2 Red (RAL3001/D)
3 Orange(RAL2011/P)
4 Yellow(RAL1018/A)
5 Green(RAL6018/T)
6 Blue (RAL5015/A)
8 Grey(RAL7035/D)
9 White(RAL1102)
C Green(RAL6018/U) | RoHS compliant
(lead<4%)
In copper Alloy |
|---|---|--|

Material

- Item (a) Terminal housing: Thermoplastic (UL94V-0)
- Item (b) Terminal cover: Thermoplastic (UL94V-0)
- Item (c) Terminal screw: Steel Zinc plating "- "type
- Item (d) Clamp: Brass, Ni plated
- Item (e) Female contact: PhBz , Tin plated

Electrical

- Voltage rating: 300V
- Current rating: 15A
- Wire range:
- Solid wire(AWG): 12-28
- Stranded wire(AWG): 12-28
- Torque: 4.5Lb-In
- Screw: M3
- Wire strip length: 5-6mm
- Withstanding Voltage: 1.6KV
- Operating temperature: -40°C to +115°C
- Safety Approval:



mat'l. code		surface ASME Y14.5 ✓	tolerance ASME Y14.5	projection 	product family TERMINAL BLOCK	
ltr ecn no dr date		tolerances unless otherwise specified		MM 	title TERMINAL BLOCK	
		angles X°±1°	X.±0.5 X.X±0.3 X.XX±0.1			scale
		dr	EVIN ZHONG 041714		dwg no	sheet 1 of 1 size
		enr	EVIN ZHONG 041714		E0xx01x2A0J0G	A4
		chr	HANKE FENG 041714		type	CUSTOMER Drawing
		appd	SHI JUN 041714			
sheet index	revision sheet	A	1			