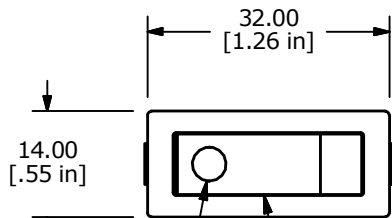


**PANEL CUTOUT**

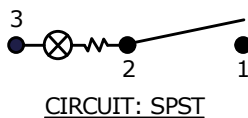
PANEL THICKNESS	(x)
0.75 - 1.25	30.0
1.25 - 2.00	30.4
2.00 - 3.00	30.7



▲ LENS COLOR: TRANSPARENT GREEN  
 ▲ ACTUATOR COLOR: BLACK  
 ▲ BODY COLOR: BLACK

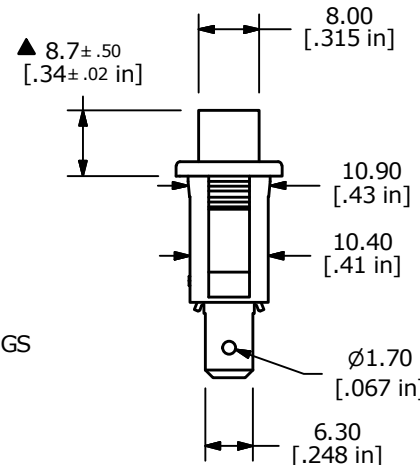
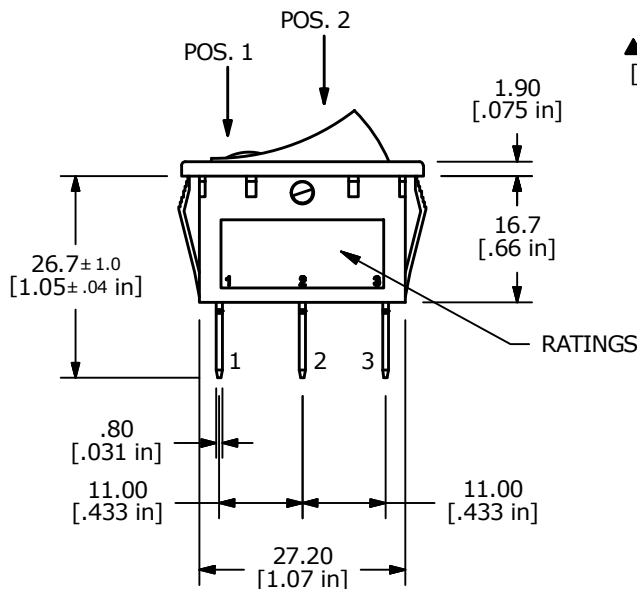
**SWITCH FUNCTION**

POS. 1	POS. 2
OFF	ON
NONE	2-1



**NOTE:**

- DIMENSIONS IN MM [INCH]
- GENERAL TOLERANCE: X.X = ± 0.4  
X.XX = ± 0.25
- TERMINAL NUMBERS FOR REF ONLY
- CONTACT MATERIAL: SILVER
- CONTACT RATINGS:  
ANSI/UL 1054 AND CAN/CSA C22.2 NO.55 (E194579):  
15A @ 125VAC [cURus]  
7.5A @ 250VAC [cURus]  
EN 61058-1:2002+A2 (SE/09138-1):  
16(4)A 250V~ 1E4 T125/55 [ENEC14, SEMKO]
- CONTACT RESISTANCE: 35mΩ MAX. @ 50VAC INITIAL
- INSULATION RESISTANCE: 100MΩ MIN. @ 500VDC
- DIELECTRIC STRENGTH: 1,500VAC FOR 1 MINUTE
- ELECTRICAL LIFE: 6,000 CYCLES [cURus]  
10,000 CYCLES [ENEC10, SEMKO]
- OPERATING TEMPERATURE: -20°C to 85°C [cURus]  
-20°C to 125°C [ENEC14, SEMKO]
- ILLUMINATION VOLTAGE: 12V LED
- ▲ DENOTES CRITICAL PARAMETER
- 2011/65/EU (ROHS) COMPLIANT



C	22686	updated to 12V LED and redrawn	1/25/17	MW
B	19891	changed VDE approval to Semko approval	5/3/11	CAB
A	00075	INITIAL RELEASE	8/14/09	CAB
REV	PCR NO	DESCRIPTION	DATE	BY



TITLE RB141C1100-234				
SCALE	DATE	DR	DWG	REV
1:1	5/3/2011	MW	38-RB141C1100234	C