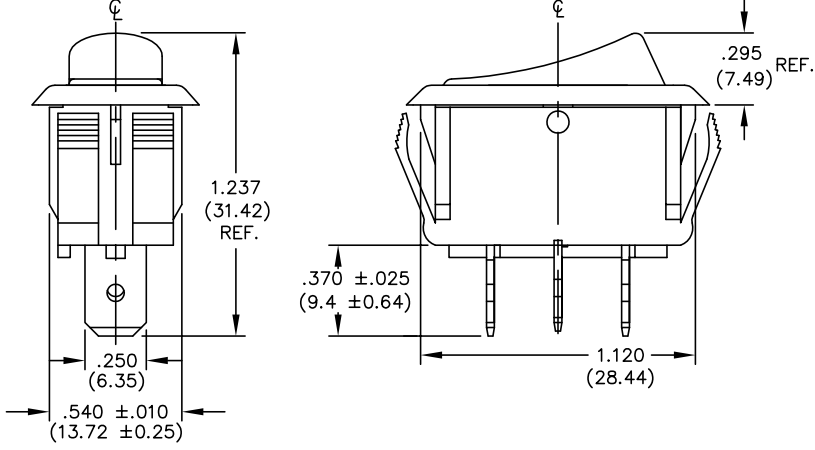
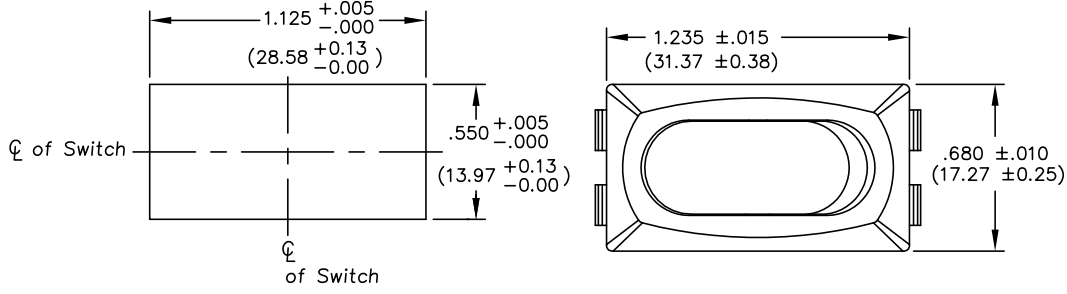


THIS INFORMATION IS CONFIDENTIAL AND PROPRIETARY TO CW INDUSTRIES INCORPORATED AND ITS AFFILIATES. IT MAY NOT BE DISCLOSED TO ANYONE, OTHER THAN CW INDUSTRIES PERSONNEL, WITHOUT WRITTEN AUTHORIZATION FROM CW INDUSTRIES INCORPORATED, SOUTHAMPTON, PENNSYLVANIA USA.

DIMENSIONS IN INCHES (MILLIMETERS)  
DO NOT SCALE DRAWING .....

Dwg. No.  
GRS-2012-25XX

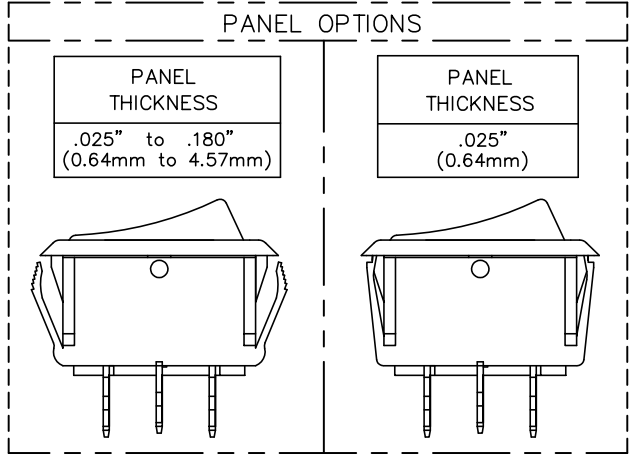
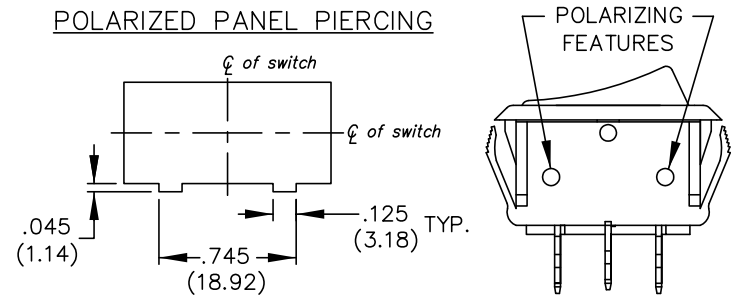
PANEL PIERCING



(GLOSSY FINISH)

TERMINAL OPTIONS:  
.250" Wide Terminal is standard.  
(As Shown in Drawing)  
.187" Wide Terminal is optional.

POLARIZED OPTION



B-FORMAT 2002	REVISIONS										

PDF FILE MADE	<b>CW INDUSTRIES</b> Southampton, Pa. 18966	Title: <b>ROCKER SWITCH S.P.D.T. ASSEMBLY STYLE LINE 1.125" x .550" PANEL</b>
	TOLERANCES UNLESS OTHERWISE SPECIFIED	
	2 Place Decimal ±.010 METRIC 3 Place Decimal ±.005 METRIC Angles ..... ±1'	1 Place Dec. ±.25mm 2 Place Dec. ±.13mm
	Made for: CW IND.	Division: SWITCH
Drawn by: DGW 7-09-2010	Dwg. No. GRS-2012-25XX	
Checked by:		
Approval:		