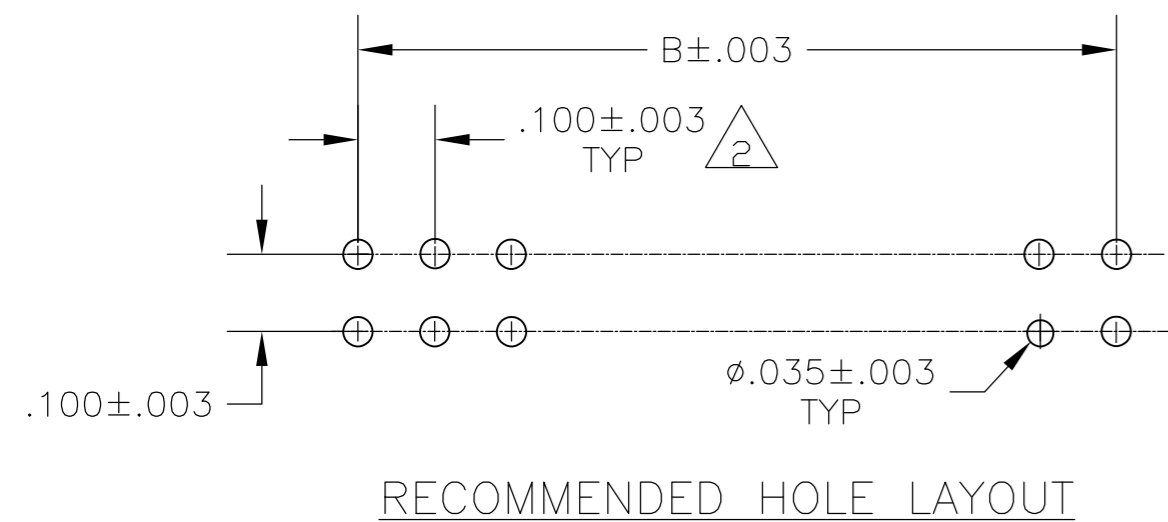
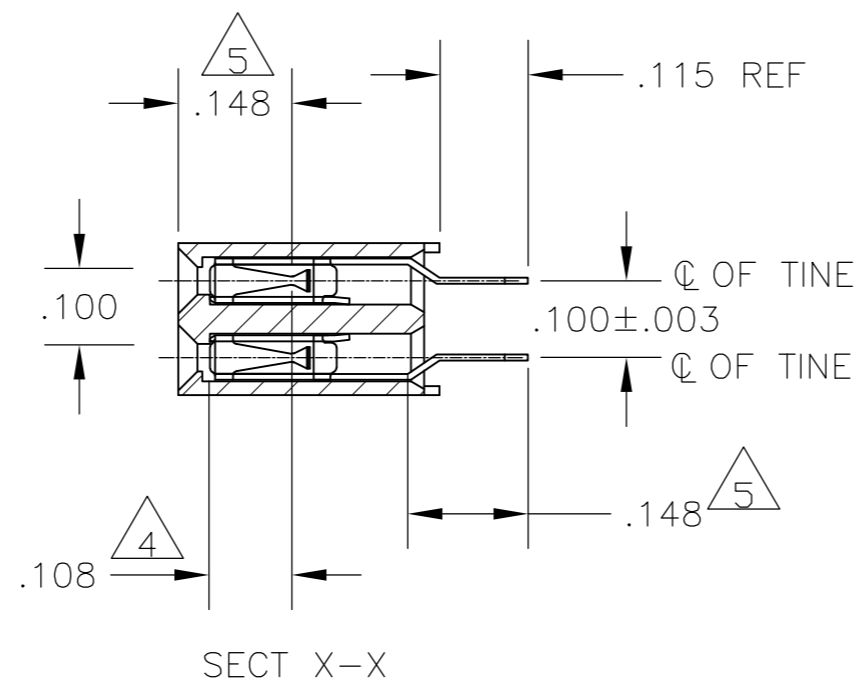
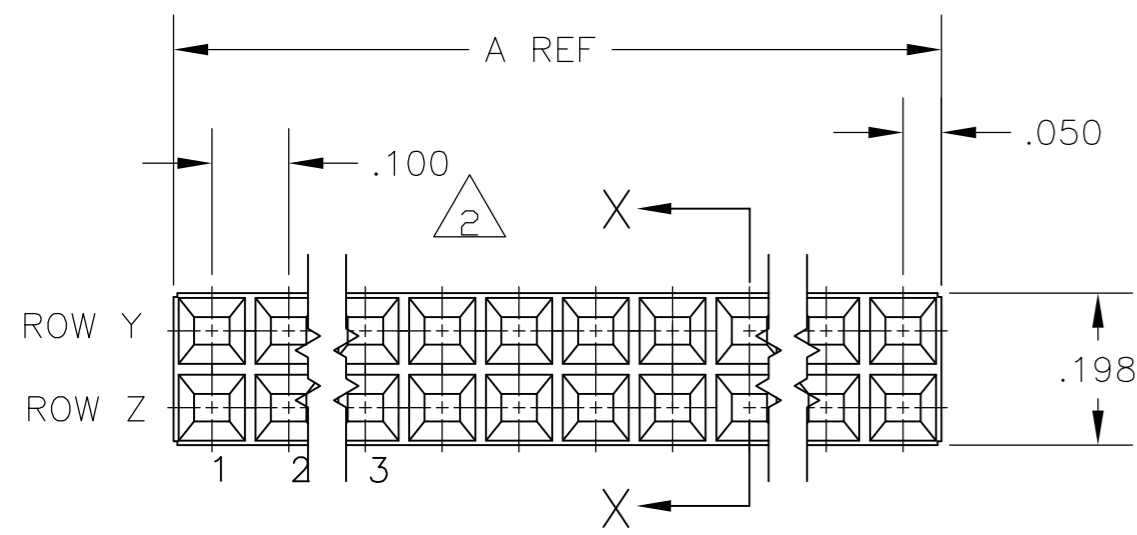
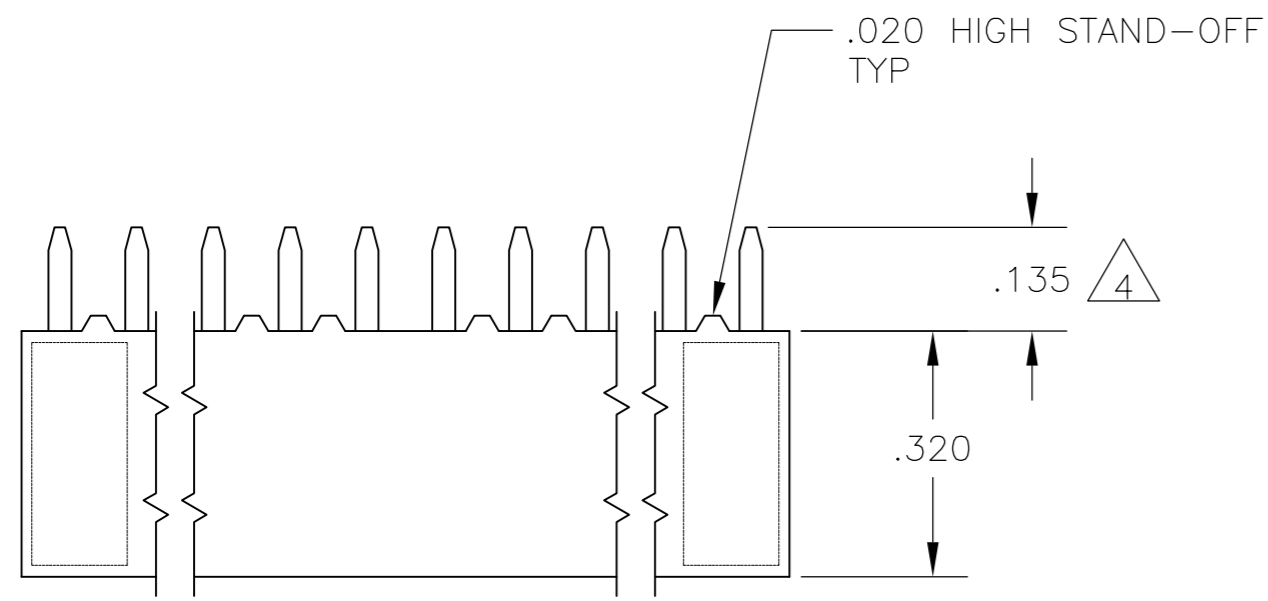


THIS DRAWING IS UNPUBLISHED. RELEASED FOR PUBLICATION
 © COPYRIGHT BY TYCO ELECTRONICS CORPORATION. ALL RIGHTS RESERVED.

LOC		DIST		REVISIONS			
P	LTR	DESCRIPTION	DATE	DWN	APVD		
F		EC 0G3C 0745 04	10JAN05	BSV	JRO		
F1		ECO-09-020932	26AUG09	KK	AEG		



- 1 PART NUMBER AND DATE CODE MARKED IN APPROXIMATE LOCATION SHOWN
- 2 CONTACT: DUPLEX PLATED: .000010 GOLD ON CONTACT AREA, .000150-.000300 BRIGHT TIN-LEAD ON SOLDER LEADS, ALL OVER .000050 MINIMUM NICKEL.
- 3. TOLERANCE IS NON-CUMULATIVE.
- 4 POINT OF MEASUREMENT FOR PLATING THICKNESS (MEASURED INSIDE CONTACT BEAMS)
- 5 POINT OF CONTACT MEASUREMENT.
- 6. MATERIAL: HOUSING: GLASS FILLED POLYESTER-COLOR: BLACK CONTACT: PHOSPHOR BRONZE
- 7 CONTACT: DUPLEX PLATED: .000010 GOLD ON CONTACT AREA, .000150-.000300 MATTE TIN ON SOLDER LEADS, ALL OVER .000050 MINIMUM NICKEL.
- 8 ROHS 2002/95/EC COMPLIANT
- 9 TYCO LOGO AND CSA LOGO ARE MOLDED INTO HOUSING, THIS LOCATION.
- 10 OBSOLETE PARTS: OBSOLETE CIS STREAMLINING PER D.RENAUD/D.SINISI

	52	1,2,29&30	1,2,29&30	7	3.000	2.900	60	5-102766-4
OBSOLETE	44	1,2,25&26	1,2,25&26	7	2.600	2.500	52	5-102766-3
	30	1,2,18&19	1,2,18&19	7	1.900	1.800	38	5-102766-2
	40	1,2,23&24	1,2,23&24	7	2.400	2.300	48	5-102766-1
OBSOLETE	52	1,2,29&30	1,2,29&30	2	3.000	2.900	60	102766-4
	44	1,2,25&26	1,2,25&26	2	2.600	2.500	52	102766-3
	30	1,2,18&19	1,2,18&19	2	1.900	1.800	38	102766-2
10 SUPERCEDED	40	1,2,23&24	1,2,23&24	2	2.400	2.300	48	102766-1
NO ACTIVE POS		ROW Y	ROW Z	FINISH	A	B	NO OF POSN	PART NO
		CONTACTS OMITTED						

THIS DRAWING IS A CONTROLLED DOCUMENT.

DWN	14-5-81	Tyco Electronics Corporation Harrisburg, Pa 17105-3608
CHK	15-5-81	
APVD	20-5-81	
NAME		
DIMENSIONS: INCHES	TOLERANCES UNLESS OTHERWISE SPECIFIED:	PRODUCT SPEC
	0 PLC ± -	APPLICATION SPEC
	1 PLC ± -	
	2 PLC ± -	SIZE
	3 PLC ± -	CAGE CODE
	4 PLC ± -	DRAWING NO
	ANGLES ± -	RESTRICTED TO
MATERIAL	FINISH	WEIGHT
	CONTACTS: SEE TABLE	A2 00779 C=102766
		CUSTOMER DRAWING

SCALE 4:1 SHEET 1 OF 1 REV F1