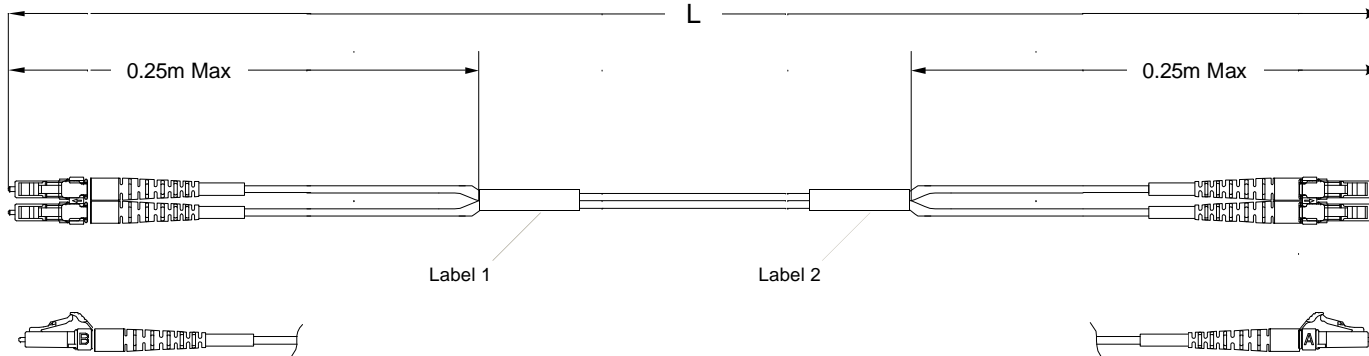


Restricted to: General Release

THIS DRAWING IS A CONTROLLED DOCUMENT. DWG NO 2509061



Connector(s): LC-Duplex Secure  
 Mode: MM  
 Housing Color: Blue  
 Geom. Spec: N/A

Number of Fibers: 2  
 Mode: MM  
 Jacket Diameter: 2.0 mm  
 Jacket Color: Orange  
 FiberType: 62.5/125

Connector(s): LC-Duplex  
 Mode: MM  
 Housing Color: Beige  
 Geom. Spec: N/A

A - \_\_\_\_\_ - B  
 B - \_\_\_\_\_ - A

LC strain relief - 1.6 to 2.0 mm cable  
 Color: Beige/Beige

LC strain relief - 1.6 to 2.0 mm cable  
 Color: Beige/Beige

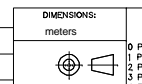
Notes:

- 1 Product and Processing must meet requirements of Tyco Electronics Standard 230-702
- 2 Includes dust caps (not shown on print).
- 3 Label 2 will not be present on any cable assembly less than 5 meters long.

THIS INFORMATION IS CONFIDENTIAL AND PROPRIETARY TO TYCO ELECTRONICS, INC. IT IS THE PROPERTY OF TYCO ELECTRONICS, INC. AND IS NOT TO BE DISCLOSED TO ANY OTHER PERSON OR ENTITY WITHOUT THE WRITTEN AUTHORIZATION OF TYCO ELECTRONICS CORPORATION, HARRISBURG, PENNSYLVANIA.

LOC  
 CE  
 DIST  
 16

A	Rev Per	EC#	RELEASE	5/24/2006	-		
P	LTR	REVISION	RECORD	DATE	DW	APVD	



DIMENSIONS:  
 meters

TOLERANCES UNLESS OTHERWISE SPECIFIED:  
 0 PLC ± -  
 1 PLC ± -  
 2 PLC ± -  
 3 PLC ± -  
 4 PLC ± -

Customer Print

DWG	Cable Assy Configurator	MATERIAL		HEAT TREAT	
CHK	Cable Assy Configurator	Tyco Electronics, Inc. Harrisburg, PA 17105-3608			
APVD	Refer to Engineering Change				
NAME	FO C/A - 2 fiber, 2mm, 62.5/125, OFNR (Riser) jacket, LC-Duplex Secure to LC-Duplex				
SCALE	NTS	SIZE	A2	DRAWING NO	C- 1906052
SHEET	1 of 3	REV	A		

Part #	L (meters)	LC-Duplex Secure, Blue		LC-Duplex, Beige	
		IL (dB)	RL (dB)	IL (dB)	RL (dB)
0-1906052-1	0.950 - 1.050	0.5	-	0.5	-
0-1906052-2	1.950 - 2.050	0.5	-	0.5	-
0-1906052-3	2.950 - 3.050	0.5	-	0.5	-
0-1906052-4	3.920 - 4.080	0.5	-	0.5	-
0-1906052-5	4.920 - 5.080	0.5	-	0.5	-
0-1906052-6	5.920 - 6.080	0.5	-	0.5	-
0-1906052-7	6.920 - 7.080	0.51	-	0.51	-
0-1906052-8	7.920 - 8.080	0.51	-	0.51	-
0-1906052-9	8.850 - 9.150	0.51	-	0.51	-
1-1906052-0	9.850 - 10.150	0.51	-	0.51	-
1-1906052-1	10.850 - 11.150	0.51	-	0.51	-
1-1906052-2	11.850 - 12.150	0.51	-	0.51	-
1-1906052-3	12.850 - 13.150	0.51	-	0.51	-
1-1906052-4	13.850 - 14.150	0.52	-	0.52	-
1-1906052-5	14.850 - 15.150	0.52	-	0.52	-
1-1906052-6	15.840 - 16.160	0.52	-	0.52	-
1-1906052-7	16.830 - 17.170	0.52	-	0.52	-
1-1906052-8	17.820 - 18.180	0.52	-	0.52	-
1-1906052-9	18.810 - 19.190	0.52	-	0.52	-
2-1906052-0	19.800 - 20.200	0.53	-	0.53	-
2-1906052-1	20.790 - 21.210	0.53	-	0.53	-
2-1906052-2	21.780 - 22.220	0.53	-	0.53	-
2-1906052-3	22.770 - 23.230	0.53	-	0.53	-
2-1906052-4	23.760 - 24.240	0.53	-	0.53	-
2-1906052-5	24.750 - 25.250	0.53	-	0.53	-
2-1906052-6	25.740 - 26.260	0.53	-	0.53	-
2-1906052-7	26.730 - 27.270	0.54	-	0.54	-
2-1906052-8	27.720 - 28.280	0.54	-	0.54	-
2-1906052-9	28.710 - 29.290	0.54	-	0.54	-
3-1906052-0	29.700 - 30.300	0.54	-	0.54	-
3-1906052-1	30.690 - 31.310	0.54	-	0.54	-
3-1906052-2	31.680 - 32.320	0.54	-	0.54	-
3-1906052-3	32.670 - 33.330	0.54	-	0.54	-
3-1906052-4	33.660 - 34.340	0.55	-	0.55	-
3-1906052-5	34.650 - 35.350	0.55	-	0.55	-
3-1906052-6	35.640 - 36.360	0.55	-	0.55	-
3-1906052-7	36.630 - 37.370	0.55	-	0.55	-
3-1906052-8	37.620 - 38.380	0.55	-	0.55	-
3-1906052-9	38.610 - 39.390	0.55	-	0.55	-
4-1906052-0	39.600 - 40.400	0.56	-	0.56	-
5-1906052-0	49.500 - 50.500	0.57	-	0.57	-

A	Rev Per ECH	RELEASE	5/24/2006	-		
P	LTR	REVISION RECORD	DATE	DIN	APVD	

DIMENSIONS: meters  
 TOLERANCES UNLESS OTHERWISE SPECIFIED:  
 0 PLC ± .  
 1 PLC ± .  
 2 PLC ± .  
 3 PLC ± .  
 4 PLC ± .  
 5 PLC ± .

DIN	Cable Assy Configurator	MATERIAL	-	HEAT TREAT	-
OK	Cable Assy Configurator				
APVD	Refer to Engineering Change				
NAME	FO C/A - 2 fiber, 2mm, 62.5/125, OFNR (Riser) jacket, LC-Duplex Secure to LC-Duplex				
SCALE	SIZE	DRAWING NO	SHEET	REV	
NTS	A2	C- 1906052	2 of 3	A	

THIS INFORMATION IS CONFIDENTIAL AND PROPRIETARY TO TYCO ELECTRONICS CORPORATION. IT IS TO BE KEPT CONFIDENTIAL AND NOT DISCLOSED TO ANY OTHER PERSON OR ORGANIZATION WITHOUT WRITTEN AUTHORIZATION FROM TYCO ELECTRONICS CORPORATION, HARRISBURG, PENNSYLVANIA 17105-3608.

THIS DRAWING IS A CONTROLLED DOCUMENT.

LOC  
 CE  
 DIST  
 16

8

7

6

5

4

3

2

1

D

C

B

A

Label 1

Per specification 107-1645-1



- Trace # - Bar Code
- Trace # - Human Readable
- Part Number
- Country of Origin

This label is used on all lengths on this drawing.

Label 2

Per specification 107-1645-1



- Trace # - Bar Code
- Trace # - Human Readable
- Part Number
- Country of Origin

This label is used on all lengths on this drawing.

THIS DRAWING IS A CONTROLLED DOCUMENT.

THIS INFORMATION IS CONFIDENTIAL AND PROPRIETARY TO TYCO ELECTRONICS CORPORATION. IT IS THE PROPERTY OF TYCO ELECTRONICS CORPORATION AND IS NOT TO BE DISCLOSED TO ANY OTHER PERSON OR ENTITY WITHOUT THE WRITTEN AUTHORIZATION OF TYCO ELECTRONICS CORPORATION, HARRISBURG, PENNSYLVANIA.

LOC  
CE  
DIST  
16

A	Rev Per EC#	RELEASE	5/24/2006	-			
P	LTR	REVISION RECORD	DATE	DIN	APVD		

DIMENSIONS: meters	TOLERANCES UNLESS OTHERWISE SPECIFIED:
0 PLC ± .	1 PLC ± .
2 PLC ± .	3 PLC ± .
4 PLC ± .	

Customer Print

DIN	Cable Assy Configurator	MATERIAL	HEAT TREAT	
OK	Cable Assy Configurator			
APVD	Refer to Engineering Change	Tyco Electronics, Inc. Harrisburg, PA 17105-3608		
NAME	FO C/A - 2 fiber, 2mm, 62.5/125, OFNR (Riser) jacket, LC-Duplex Secure to LC-Duplex			
SCALE	SIZE	DRAWING NO	SHEET	REV
NTS	A2	C- 1906052	3 of 3	A

D  
C  
B  
A