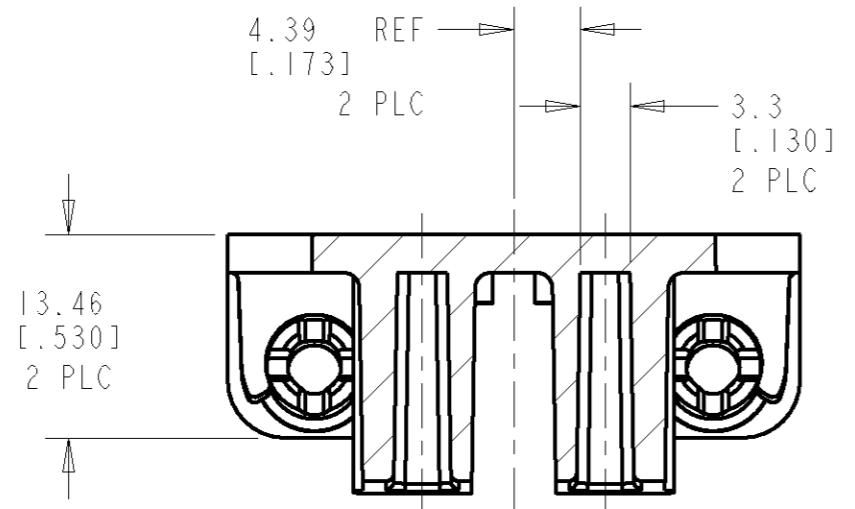
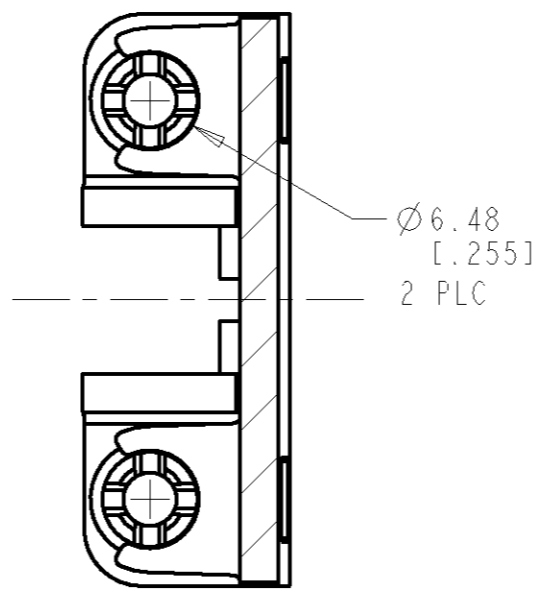


THIS DRAWING IS UNPUBLISHED. RELEASED FOR PUBLICATION .19
 © COPYRIGHT 19 BY AMP INCORPORATED. ALL RIGHTS RESERVED.

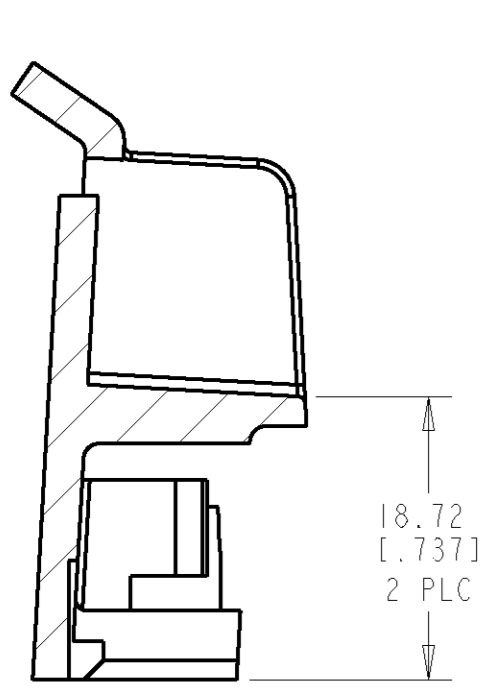
LOC	DIST	REVISIONS					
AD	14	P	LTR	DESCRIPTION	DATE	DWN	APVD
		0		RELEASED	05MAY98	AV	VR
		A		REVISED PER EC 0G51 0000 98	19MAY98	AV	VR
		A1		REVISED PER EC0-09-027197	10DEC09	KK	AEG



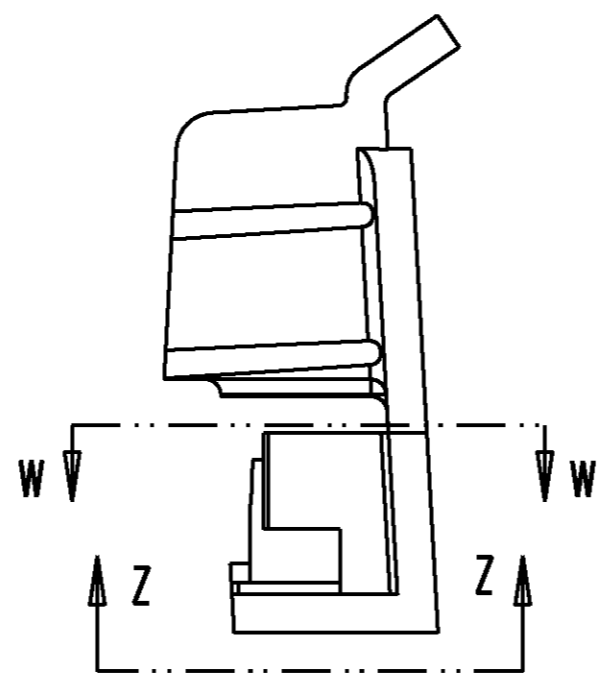
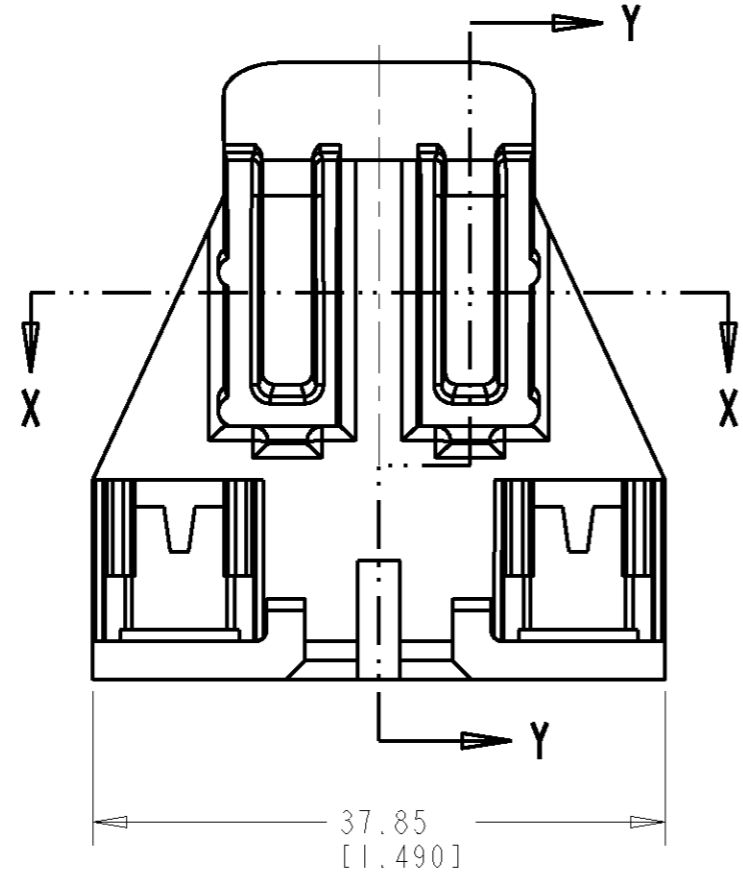
SECTION X-X



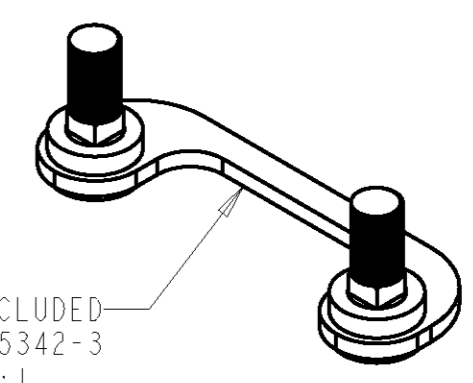
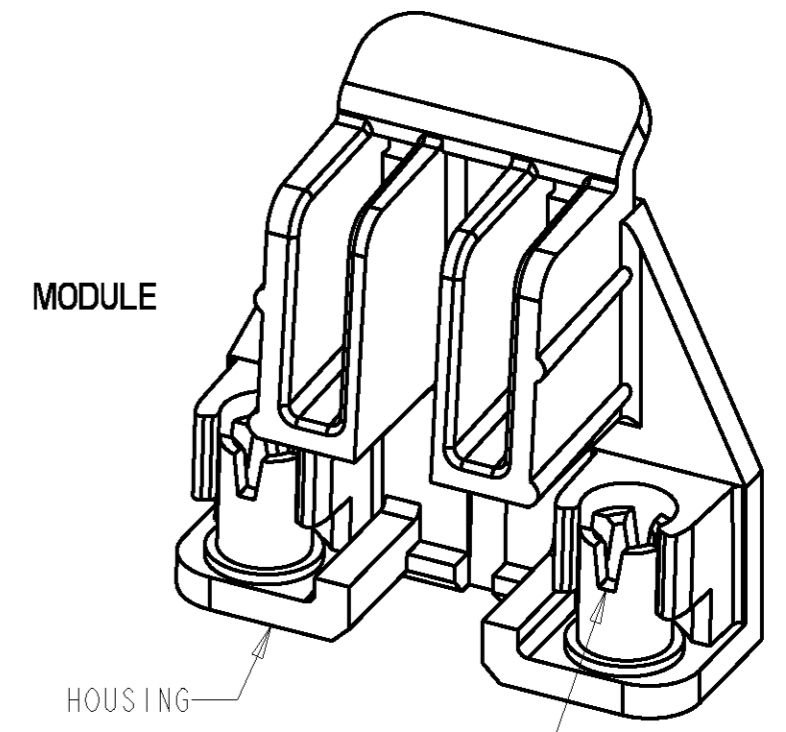
SECTION W-W



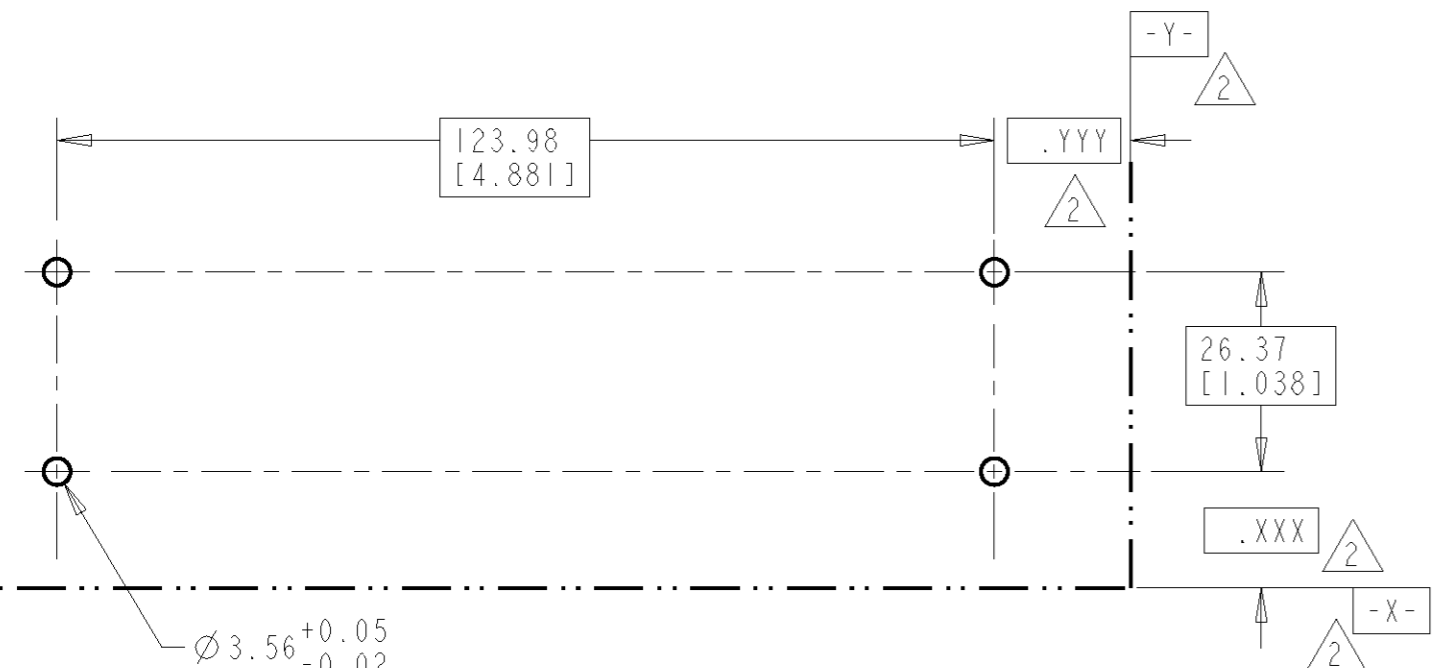
SECTION Y-Y



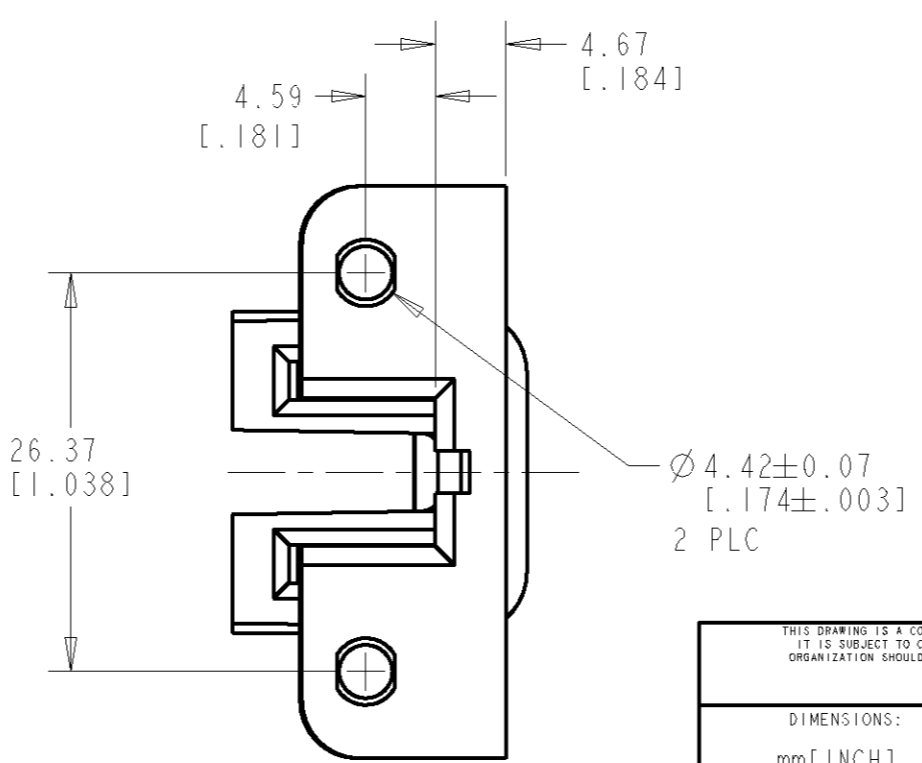
VIEW Z-Z



- 1 RETENTION MODULE: POLYCARBONATE, BLACK, UL 94-V0 RATED; SLOTTED CAPTIVE FASTENER: BRASS-COPPER ALLOY.
- 2 DATUM AND BASIC DIMENSION ESTABLISHED BY CUSTOMER.
- 3. BULK PACKAGED IN PARTITIONED BOXES.
- 4 KIT CONSISTS OF 2 MODULES, 2 MODULES ARE REQUIRED FOR ONE PROCESSOR.
- 5 CONSISTS OF ONLY ONE MODULE, 2 MODULES ARE REQUIRED FOR ONE PROCESSOR.
- 6 OBSOLETE PARTS: OBSOLETE CIS STREAMLINING PER D.RENAUD/D.SINISI



RECOMMENDED PC BOARD LAYOUT
 RECOMMENDED THICKNESS 1.57±0.15[.062±.006]
 SCALE 1:1



DESCRIPTION	PART NO
2 MODULES WITH FASTENERS AND 2 STUD BRIDGES	4 145342-3
1 MODULE WITH FASTENERS	5 145342-2
2 MODULES WITH FASTENERS	4 145342-1

DIMENSIONS:		TOLERANCES UNLESS OTHERWISE SPECIFIED:		DWN		AMP Incorporated			
mm [INCH]		0 PLC ±		A. VASBINDER	05MAY98	Harrisburg, PA 17105-3608			
		1 PLC ±		CHK A. VASBINDER	05MAY98	NAME RETENTION MODULE KIT WITH CAPTIVE FASTENERS			
		2 PLC ±		APVD V. RUMINSKI					
		3 PLC ±0.13[.005]		PRODUCT SPEC		SIZE	CAGE CODE	DRAWING NO	RESTRICTED TO
		4 PLC ±		APPLICATION SPEC		A2	00779	C-145342	-
MATERIAL		ANGLES ±		WEIGHT		CUSTOMER DRAWING		SCALE	SHEET
		FINISH				SCALE 2:1		OF 1	REV A1