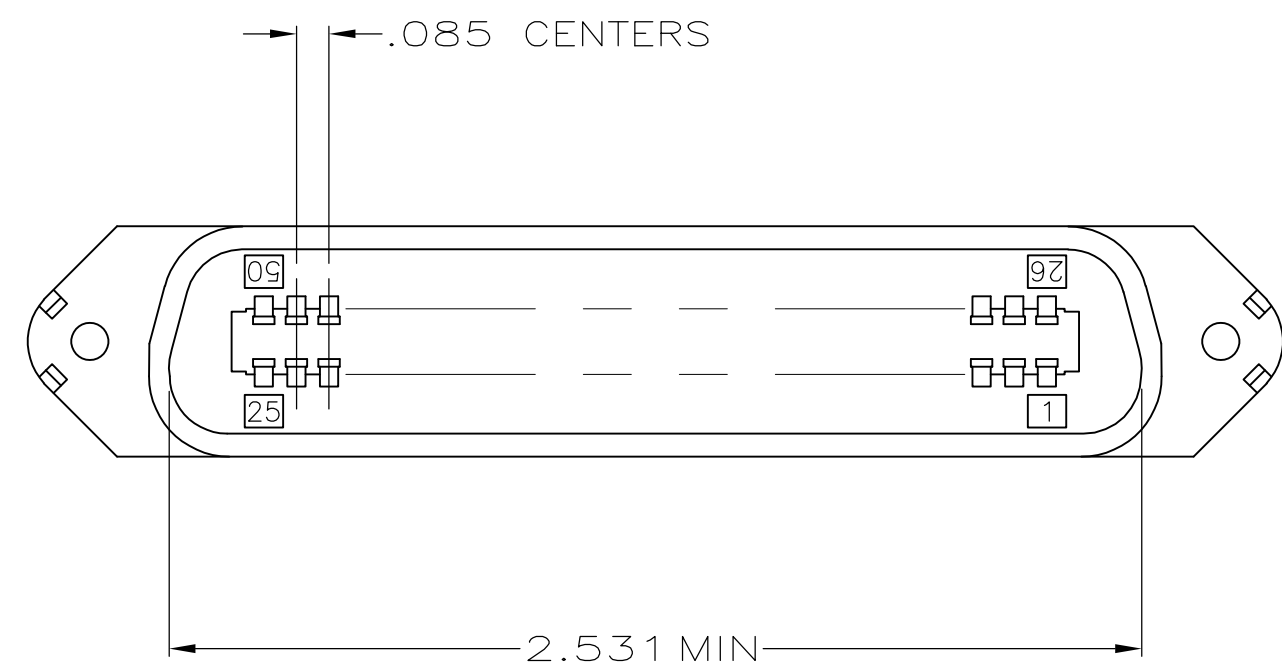
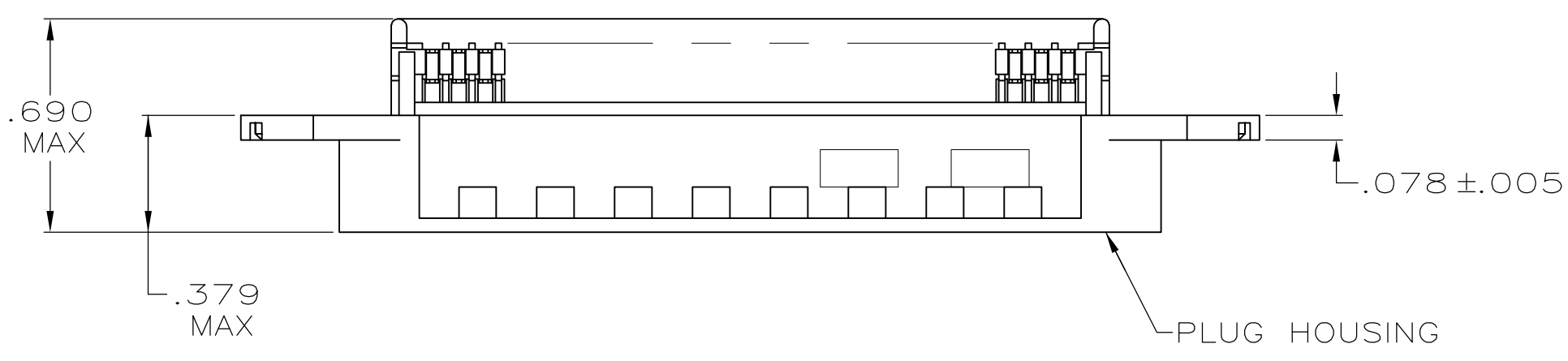
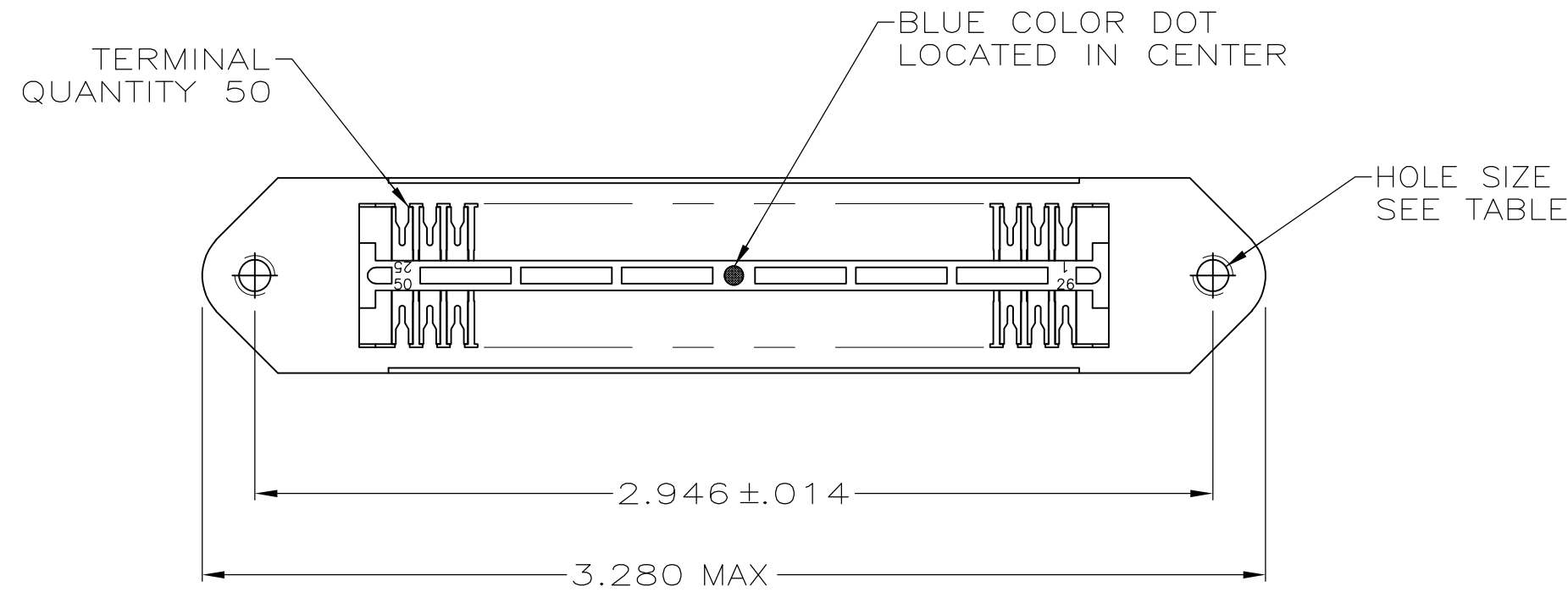


THIS DRAWING IS UNPUBLISHED. RELEASED FOR PUBLICATION  
 © COPYRIGHT BY TYCO ELECTRONICS CORPORATION. ALL RIGHTS RESERVED.

LOC	DIST	REVISIONS			
P	LTR	DESCRIPTION	DATE	DWN	APVD
GP	00	F	REVISED PER ECO-08-007327	05SEP08	BM WM



- THE CONTACT SURFACES OF THE TERMINALS ARE COATED WITH LUBRICANT.
  - MATERIAL: HOUSING - POLYPHENYLENE OXIDE (BLACK).  
 TERMINAL - HIGH STRENGTH COPPER ALLOY PLATED WITH .000030 MIN GOLD OR GOLD FLASH OVER PALLADIUM NICKEL PLATE, .000030 MIN TOTAL ON MATING SURFACE, .000050 MIN NICKEL UNDERPLATE ON ENTIRE CONTACT.
  - WIRE SIZE: 24 OR 26 AWG SOLID OR 24 AWG 7 STRANDS OF COPPER CONDUCTORS. MAXIMUM INSULATION DIAMETER OF .045 IS ACCEPTABLE FOR MOST APPLICATIONS.
- 2 HOLES TAPPED, 4-40 UNC-2B
- 2 HOLES TAPPED, M3.5 x 0.6-6G

5	554338-2
4	554338-1
HOLE SIZE	PART NUMBER

THIS DRAWING IS A CONTROLLED DOCUMENT.		DWN MD BYERLY 27-OCT-83	Tyco Electronics Corporation	
DIMENSIONS: INCHES		CHK MD FRIEL 30-NOV-83	Harrisburg, PA 17105-3608	
TOLERANCES UNLESS OTHERWISE SPECIFIED:		APVD G. FOSTER 03-JAN-84	NAME	
0 PLC ± -		PRODUCT SPEC	EMI PLUG ASSEMBLY,	
1 PLC ± -		APPLICATION SPEC	50 POSITION, SCREW LOCK, B-SLOT,	
2 PLC ± -		WEIGHT -	SIZE A2	CAGE CODE 00779
3 PLC ± -		CUSTOMER DRAWING	DRAWING NO C=554338	RESTRICTED TO -
4 PLC ± -		SCALE 2:1	SHEET 1 of 1	REV F
ANGLES ± -				
FINISH				

554338