

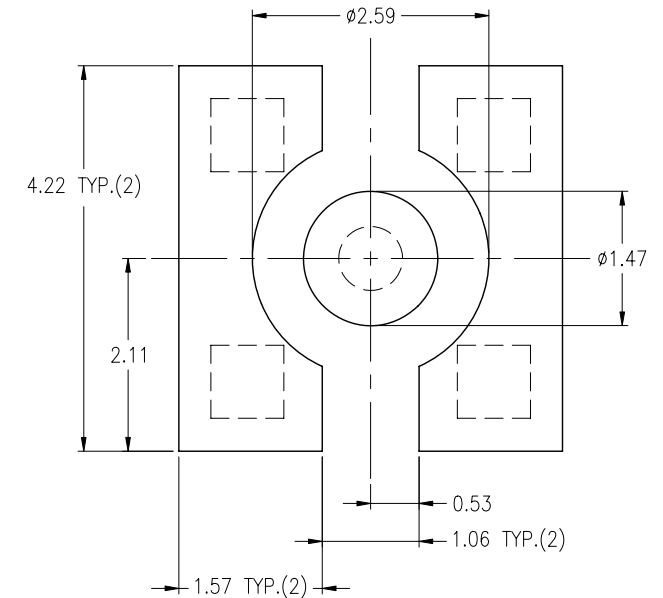
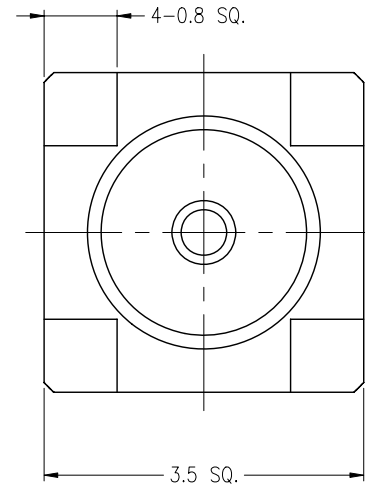
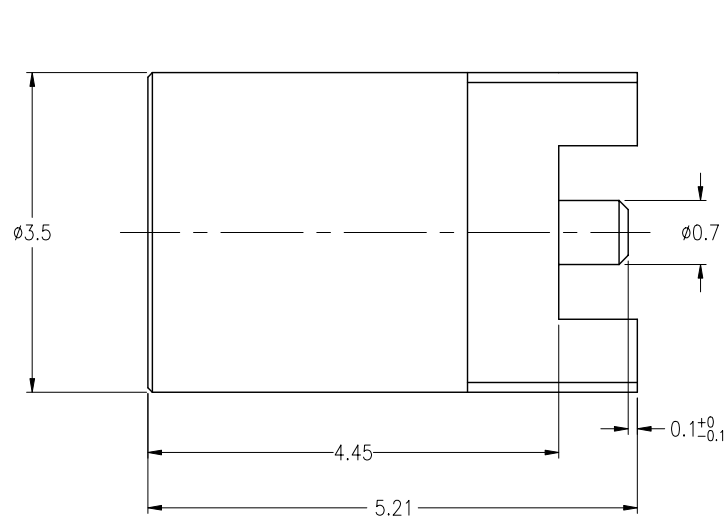
NOTES:

1. MATERIALS AND FINISHES:  
 BODY - BRASS, GOLD PLATING  
 CONTACT - BERYLLIUM COPPER, GOLD PLATING  
 INSULATOR - PTFE
2. ELECTRICAL:  
 A. IMPEDANCE: 50 OHM  
 B. FREQUENCY RANGE: DC 0-6 GHz  
 C. DIELECTRIC WITHSTANDING VOLTAGE: 500 VRMS, MIN.
3. MECHANICAL:  
 A. DURABILITY: 500 CYCLES MIN.  
 B. TEMPERATURE RANGE: - 65°C to +165°C
4. PACKAGING:  
 A. PACKAGE CONNECTOR IN TAPE AND REEL, QTY OF 750 PCS

THIRD ANGLE PROJ.

REVISIONS

REV	DESCRIPTION	DATE	ECO	APPR
A	SEE SHEET 1	05-Mar-03	--	--
B	SEE SHEET 1	11-Aug-08	--	SH
C	SEE SHEET 1	30-Apr-09	47924	SH
D	ADD NOTE 4\RD-DM10040701T1	15-Apr-10	48059	SH
E	4.45 WAS 4.5,5.21 WAS 5.26\RD-DM14012101J8	03-Mar-14	49948	J.C



RECOMMENDED MOUNTING PATTERN

**CUSTOMER OUTLINE DRAWING**

ALL OTHER SHEETS ARE FOR INTERNAL USE ONLY

UNLESS OTHERWISE SPECIFIED, DIMENSIONS ARE IN METRIC AND TOLERANCES ARE: 0.5 - 6mm ±0.1mm    6 - 30mm ±0.2mm    30 - 120mm ± 0.3mm    ANGLES ±1°	MATERIAL	DRAWN <b>J.CHEN</b> DATE 26-Mar-14	TITLE			Amphenol RF Danbury CT USA, Tainan Taiwan, Shenzhen China www.amphenolrf.com
	REFERENCE	ENGINEER <b>KEN</b> DATE 05-Mar-03	MMCX SURFACE MOUNT JACK			
NOTICE - These drawings, specifications, or other data (1) are, and remain the property of Amphenol Corp. (2) must be returned upon request; and (3) are confidential and not to be disclosed to any person other than those to whom they are given by Amphenol Corp. The furnishing of these drawings, specifications, or other data by Amphenol Corp., or to any other person to anyone for any purpose is not to be regarded by implication or otherwise in any manner licensing, granting rights or permitting such holder or any other person to manufacture, use or sell any product, process or design, patented or otherwise, that may in any way be related to or disclosed by said drawings, specifications, or other data.	FINISH	APPROVED <b>SCOTT</b> DATE 28-Mar-14	SCALE: 12/1	SHEET 1 OF 1	ITEM NO. <b>096251AAG56GE5F</b>	
		F:\DWG\MMCX\6251N3\50\3GT30G-ESZ	DWG SIZE <b>B</b>	CODE ID <b>74868</b>	REV <b>E</b>	PART NO. <b>908-22116</b>