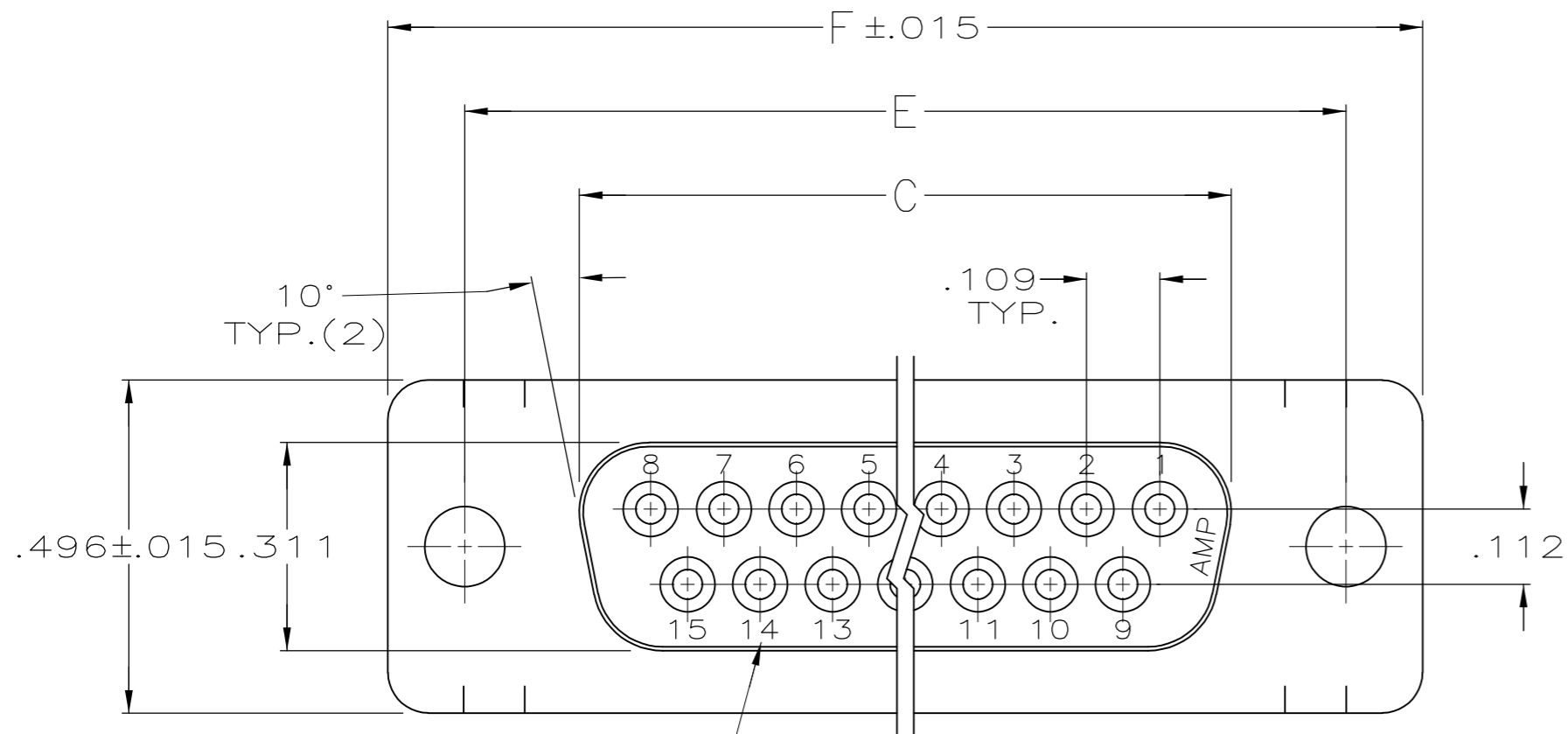
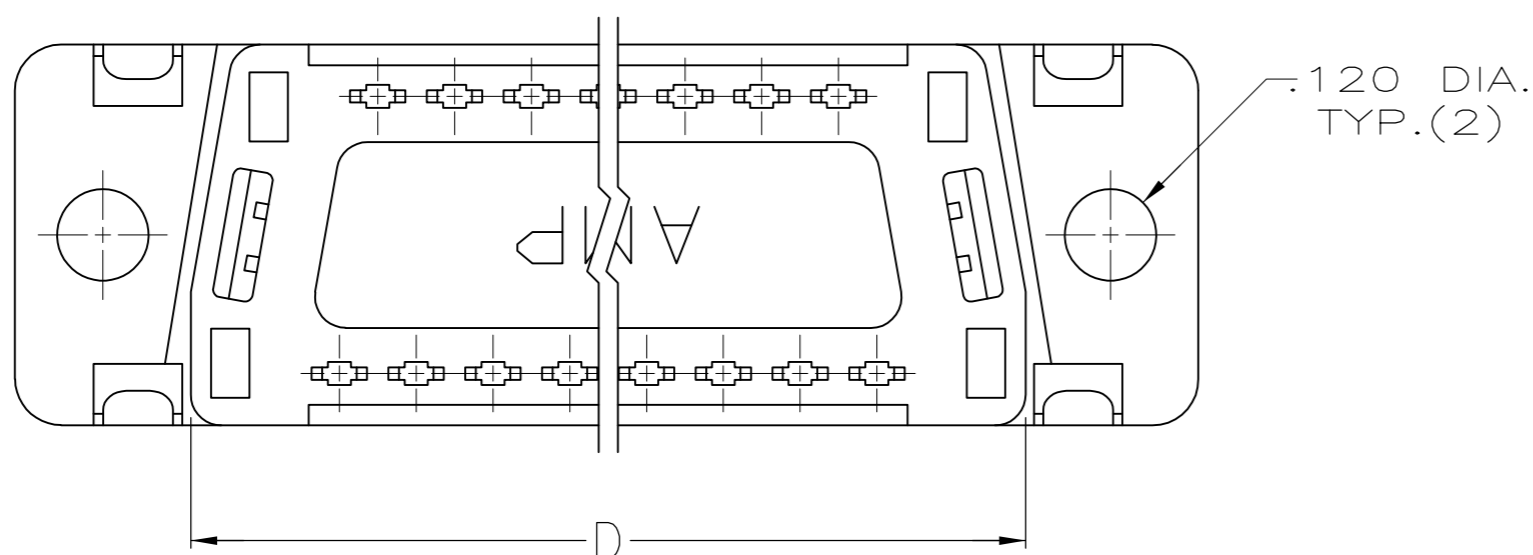
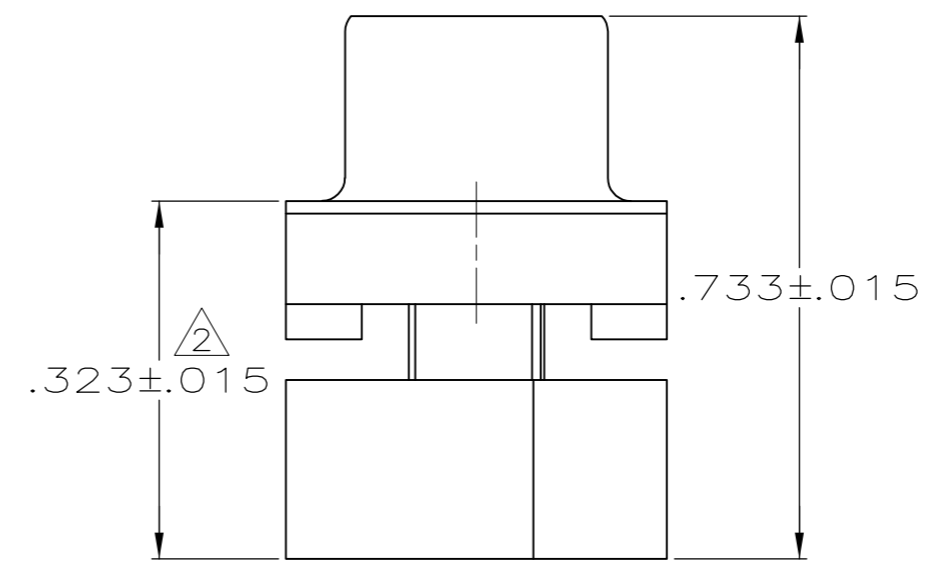
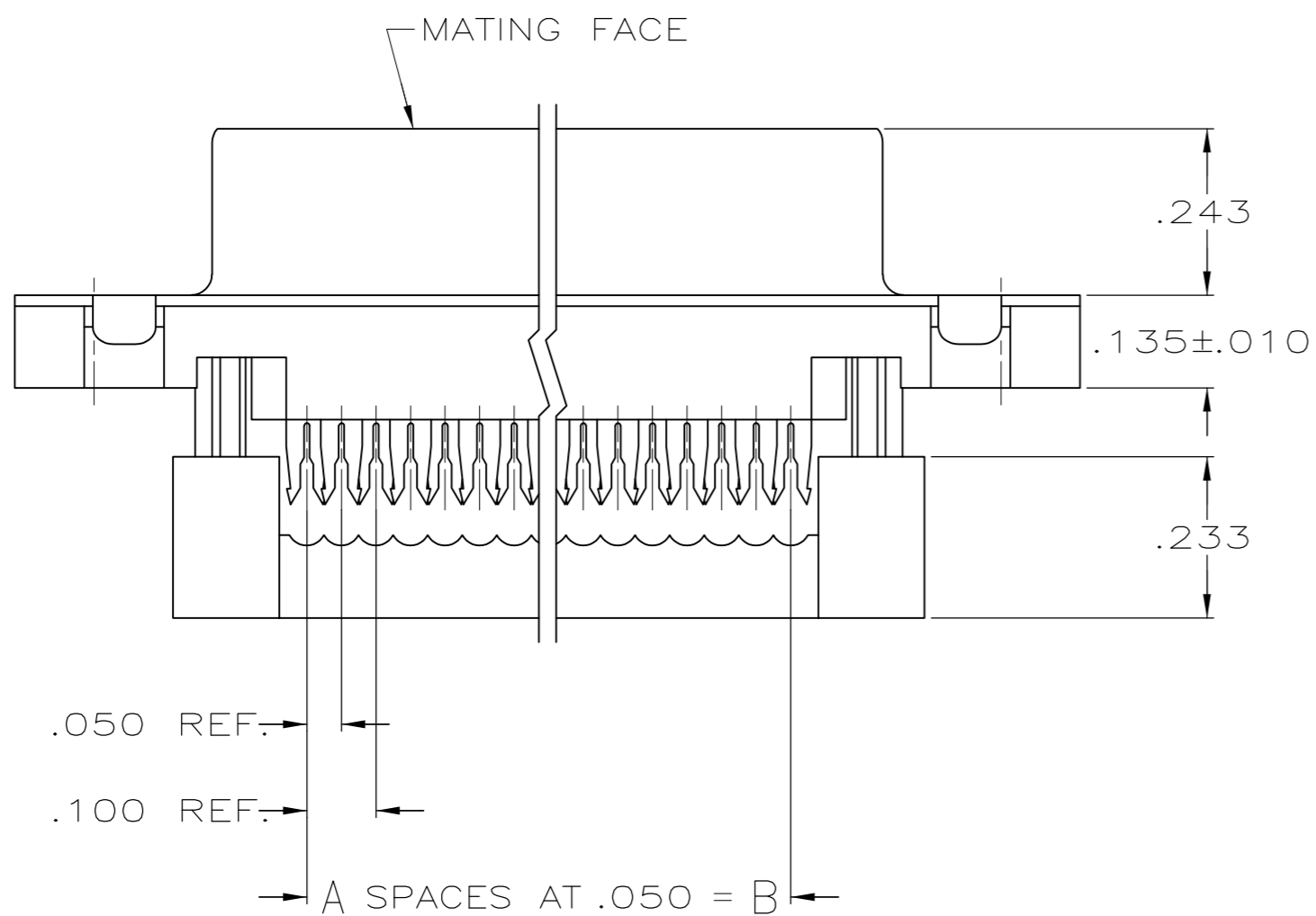


THIS DRAWING IS UNPUBLISHED. RELEASED FOR PUBLICATION
 © COPYRIGHT - By - ALL RIGHTS RESERVED.

LOC		DIST		REVISIONS			
P	LTR	DESCRIPTION		DATE	DWN	APVD	
GP	00	P		REVISED PER ECO-11-004835	11MAR11	RK HMR	



DEPRESSED CAVITY IDENTIFICATION
(15 POSITION SHOWN)



- CONNECTOR DESIGNED FOR 28 AND 26 AWG STRANDED AND SOLID CONDUCTOR RIBBON CABLE ON .050 ϕ .
- DIMENSION APPLIES TO TERMINATED CONNECTOR.
- MOLDED PARTS: THERMOPLASTIC, 94V-0 RATED, FLAME RETARDANT, BLACK. SHELL: STEEL PER QQ-S-698. CONTACTS: PHOSPHOR BRONZE PER QQ-B-750.
- GOLD PLATING PER MIL-G-45204, TIN PLATING PER MIL-T-10727, NICKEL PLATING PER QQ-N-290.
- SHELL: BRIGHT TIN PLATED. CONTACTS: .000030 MIN GOLD IN LOCALIZED GOLD PLATE AREA, .000100-.000200 MATTE TIN ON TERMINATION END, ALL OVER .000050 MIN NICKEL ON ENTIRE CONTACT.

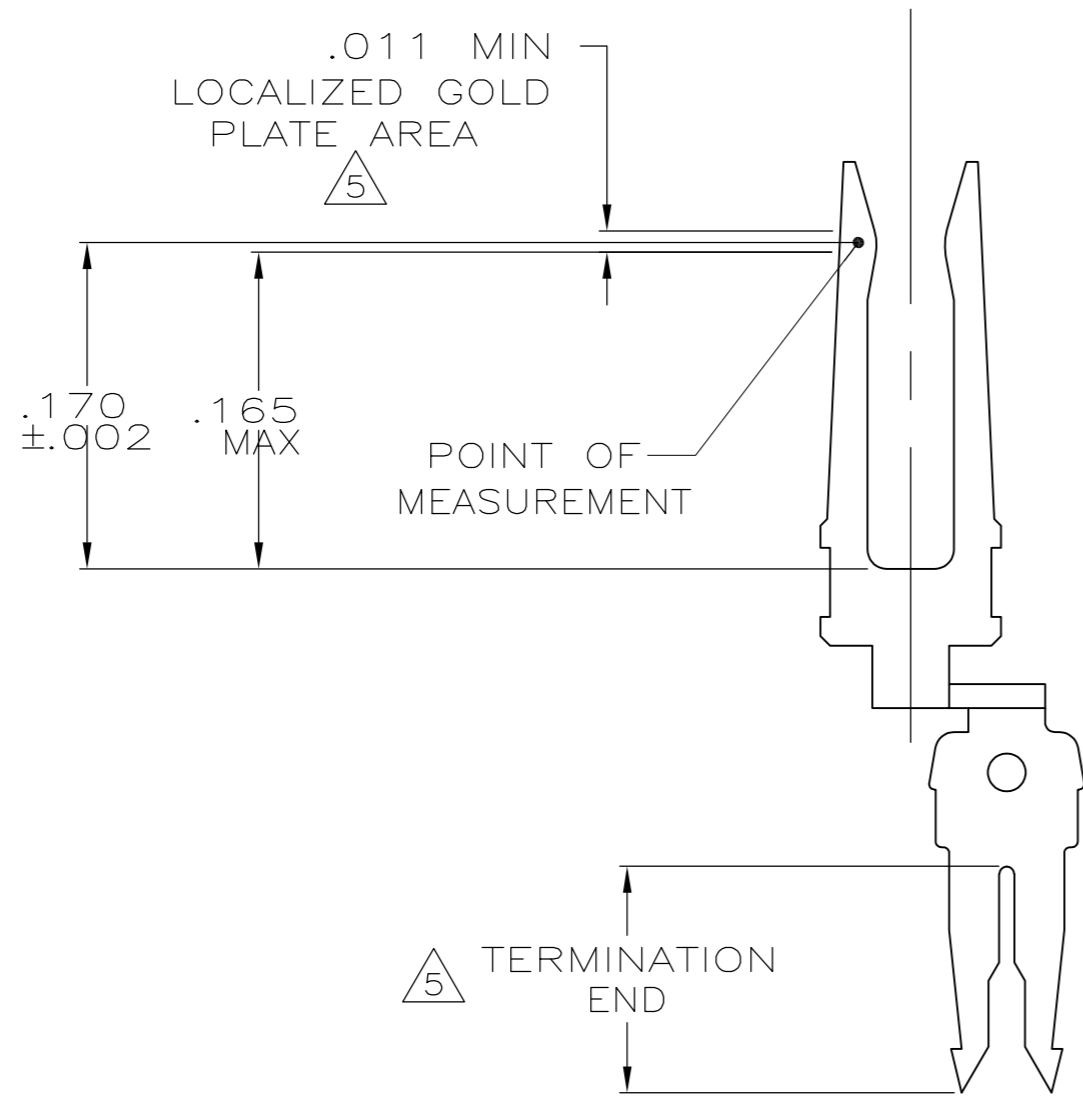
1.216	.984	.759	.643	.400	8	9	1658612-4
1.541	1.312	1.087	.971	.700	14	15	1658612-3
2.090	1.852	1.623	1.511	1.200	24	25	1658612-2
2.732	2.500	2.275	2.159	1.800	36	37	1658612-1
F	E	D	C	B	A	NO OF POSN	PART NUMBER

THIS DRAWING IS A CONTROLLED DOCUMENT.

DWN	L. BAUM	6/13/03
CHK	C. ROHDE	6/13/03
APVD	M. WALMSLEY	6/13/03
NAME	RCPT ASSY, FRONT METAL SHELL, LEAD-FREE, AMPLIMITE HDF	
PRODUCT SPEC	108-40012	
APPLICATION SPEC	-	
SIZE	CAGE CODE	DRAWING NO
A2	00779	C=1658612
RESTRICTED TO	-	
MATERIAL	FINISH	WEIGHT
3	4 5	-
CUSTOMER DRAWING		
SCALE	SHEET	REV
4:1	1 of 2	P

THIS DRAWING IS UNPUBLISHED. RELEASED FOR PUBLICATION
 © COPYRIGHT - By - ALL RIGHTS RESERVED.

LOC	DIST	REVISIONS					
GP	00	P	LTR	DESCRIPTION	DATE	DWN	APVD
		-	-	SEE SHEET 1	-	-	-



CONTACT DETAIL
SCALE 10:1

THIS DRAWING IS A CONTROLLED DOCUMENT.		DWN	L. BAUM	6/13/03		TE Connectivity						
DIMENSIONS: INCHES		CHK	C. ROHDE	6/13/03		NAME						
		APVD	M. WALMSLEY	6/13/03		RCPT ASSY, FRONT METAL SHELL, LEAD-FREE, AMPLIMITE HDF						
TOLERANCES UNLESS OTHERWISE SPECIFIED:		PRODUCT SPEC	108-40012			APPLICATION SPEC						
0 PLC ± -		WEIGHT	-		SIZE	A2	CAGE CODE	00779	DRAWING NO	C=1658612	RESTRICTED TO	-
1 PLC ± -		MATERIAL	SEE SHEET 1		SCALE	4:1	SHEET	2 of 2	REV	P		
2 PLC ± -		FINISH		SEE SHEET 1		CUSTOMER DRAWING						
3 PLC ± .005												
4 PLC ± -												
ANGLES ± 2°												