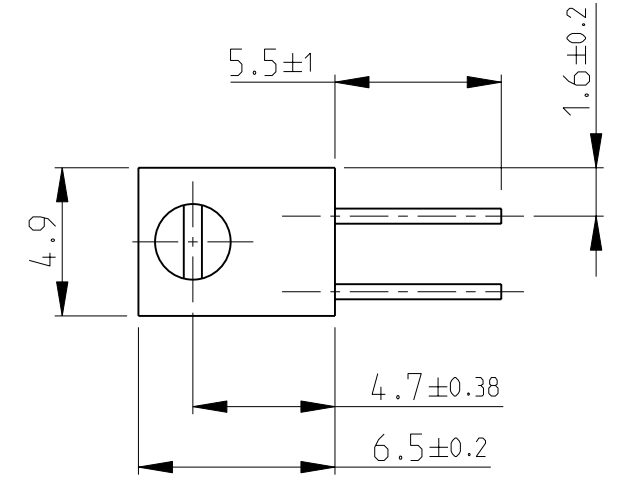
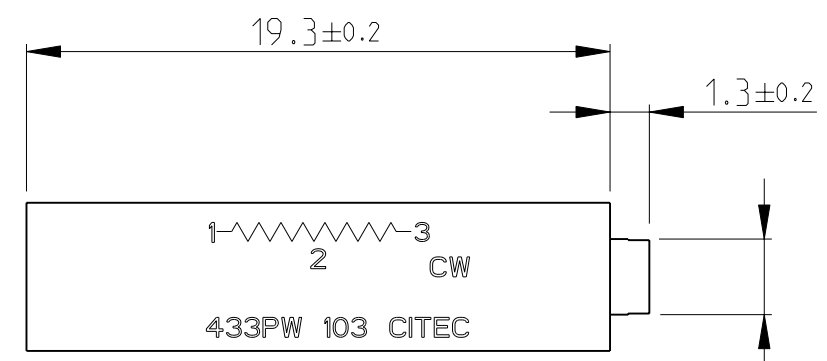


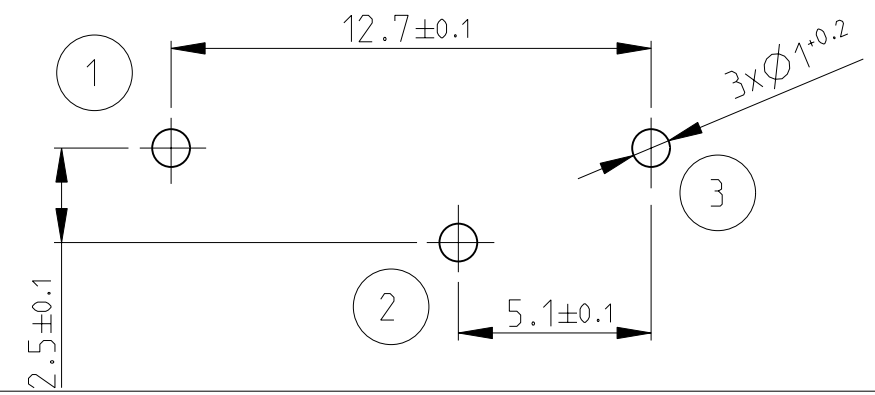
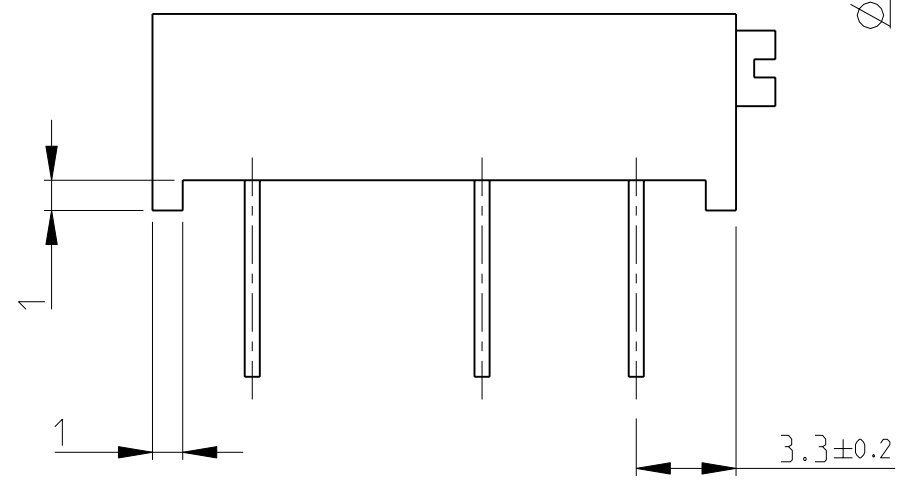
THIS DRAWING IS UNPUBLISHED. RELEASED FOR PUBLICATION 2008  
 © COPYRIGHT 2008 Tyco Electronics AMP GmbH ALL RIGHTS RESERVED.

LOC		DIST		REVISIONS			
P	LTR	DESCRIPTION		DATE	DWN	APVD	
E	B	B	ECR-12-010067	18MAY2012	KR	St.P	

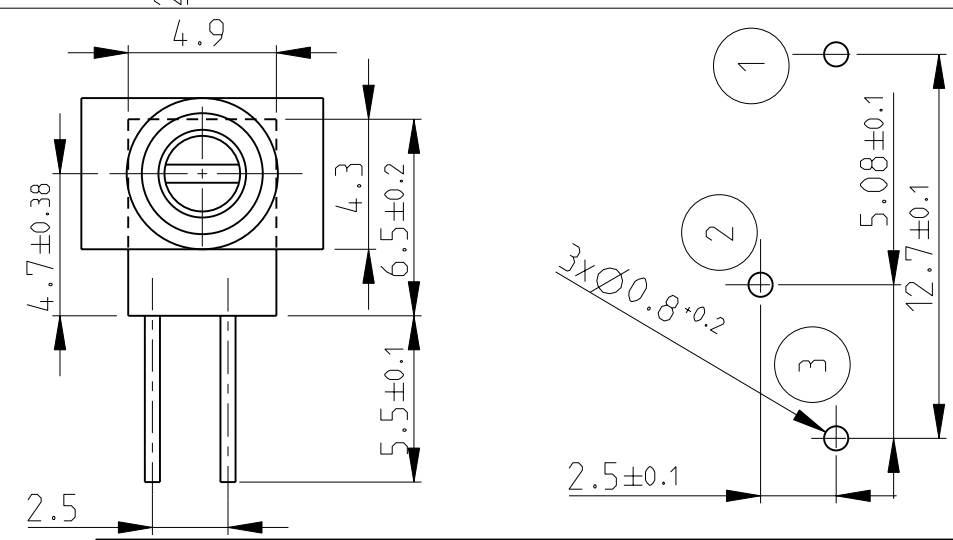
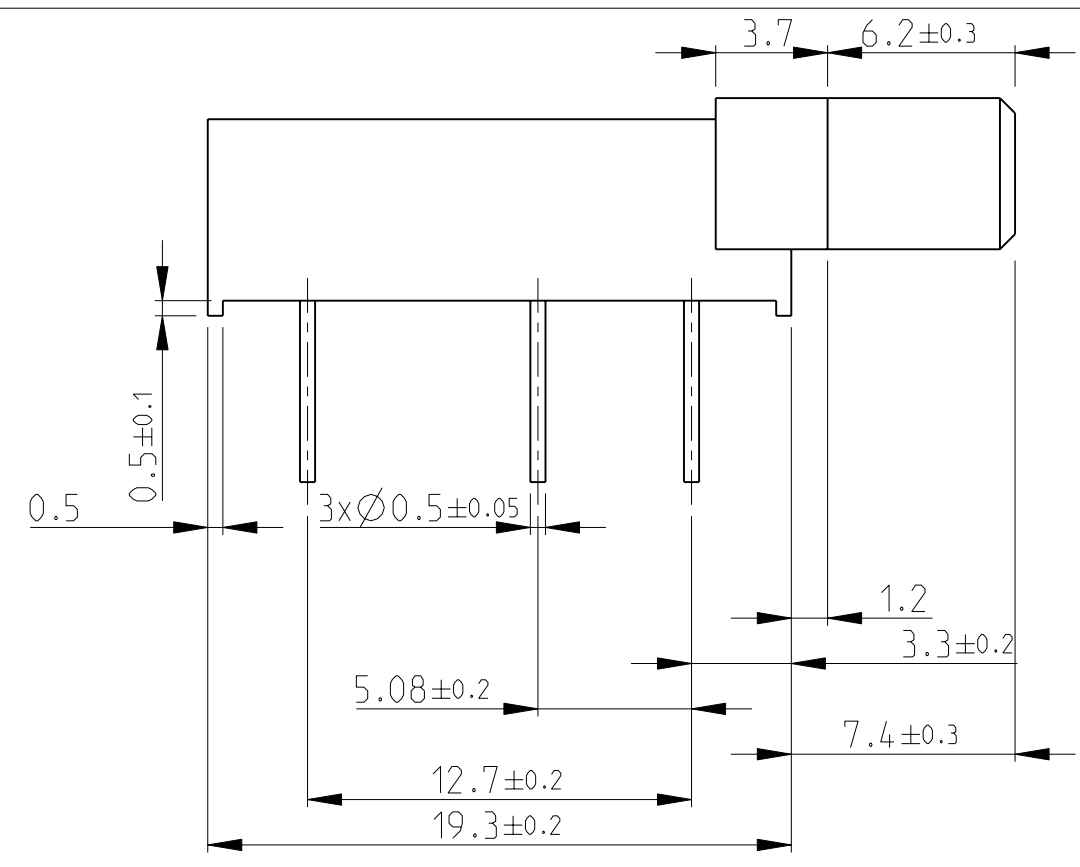
FOR FURTHER INFORMATION SEE DATA SHEET FOR  
433 SERIES-PROFESSIONAL TRIMMERS



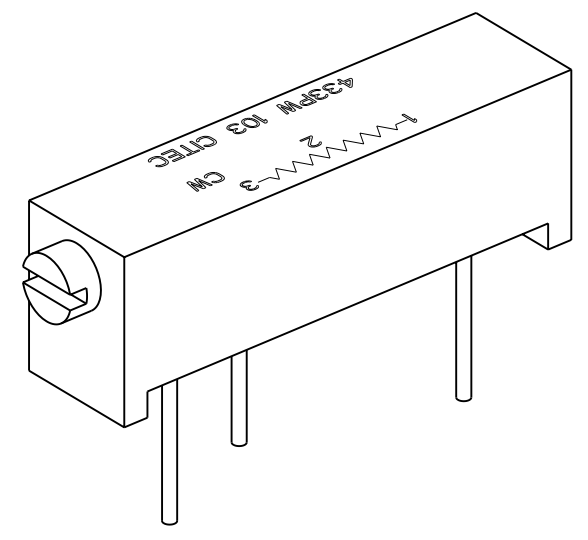
PCB Piercing Plan



RoHS Compliant



PCB Piercing Plan



THIS DRAWING IS A CONTROLLED DOCUMENT.

DIMENSIONS:	TOLERANCES UNLESS OTHERWISE SPECIFIED:
mm	0 PLC ±0.5
	1 PLC ±0.2
	2 PLC ±0.1
	3 PLC ±
	4 PLC ±
	ANGLES ±1°
MATERIAL	FINISH
-	-

DWN	SUBHASH	07-07-08
CHK	PRAKASH	07-07-08
APVD	STEPHEN.P	07-07-08
PRODUCT SPEC	-	-
APPLICATION SPEC	-	-
WEIGHT	-	-

<b>STE</b> TE Connectivity		NAME	
PROFESSIONAL TRIMMERS		-	
SERIES 433		-	
SIZE	CAGE CODE	DRAWING NO	RESTRICTED TO
A3	00779	©=1623866	-

CUSTOMER DRAWING SCALE 5:1 SHEET 1 OF 1 REV B