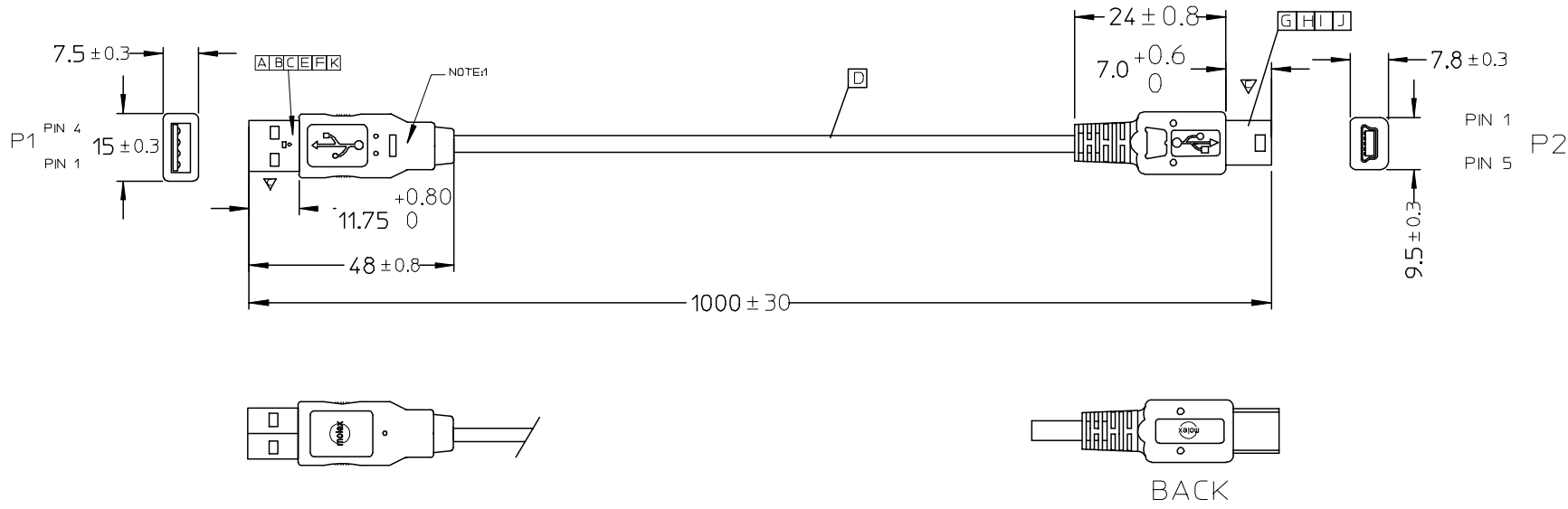


7 6 5 4 3 2 1

E  
D  
C  
B  
A

E  
D  
C  
B  
A



NOTE:

1. OUTER MOLDED WITH BLK PVC RESIN 887800019
2. ALL COMPONENT MUST MEET RoHS REQUIREMENT.

K	COPPER FOIL 887801083		1
J	COPPER FOIL 887801114		1
I	USB SERIES MINI-B PLUG COVER SHIELD 675460000		1
H	USB SERIES MINI-B PLUG SHIELD CASE 675450000		1
G	MINI-B PLUG 675420008		1
F	TERMINAL 887809090 (AWG24)		2
E	TERMINAL 887809091 (AWG28)		2
D	USB #28/#24 BLK CABLE, 172000467	1000	1
C	REAR SHELL 887809084		1
B	FRONT SHELL 887809083		1
A	CRIMP HOUSING 887809086		1

SHELL	SHELL	SHIELDING	BRAID WIRE
4	5	GROUND	BLACK
3	3	+DATA	GREEN
2	2	-DATA	WHITE
1	1	VCC	RED
P 1	P 2	SIGNAL NAME	WIRE COLOR

CONNECTION DIAGRAM

ENTER DESCRIPTION EC NO: DG2006-0078 DRWN: PHZHU CHKD: APPR: DOLUO	QUALITY SYMBOLS ▽=0 ◻=0	GENERAL TOLERANCES (UNLESS SPECIFIED)		DIMENSION STYLE MM ONLY		SCALE ---	DESIGN UNITS METRIC	THIRD ANGLE PROJECTION	
			mm	INCH	DRAWN BY PHZHU	DATE 2005/10/07	TITLE USB 2.0 TYPE A TO MINI-B BLACK 3.3' CABLE ASS'Y		
		4 PLACES ± --- ± --- 3 PLACES ± --- ± --- 2 PLACES ± --- ± --- 1 PLACE ± --- ± ---	ANGULAR ±1/2°		CHECKED BY PHZHU	DATE 2005/10/07	MOLEX INCORPORATED		
		DRAFT WHERE APPLICABLE MUST REMAIN WITHIN DIMENSIONS		APPROVED BY ZXDENG	DATE 2005/10/07	MATERIAL NO. 68806-0019	DOCUMENT NO. SD-68806-019	SHEET NO. 1 OF 1	

6 5 4 3 2 1