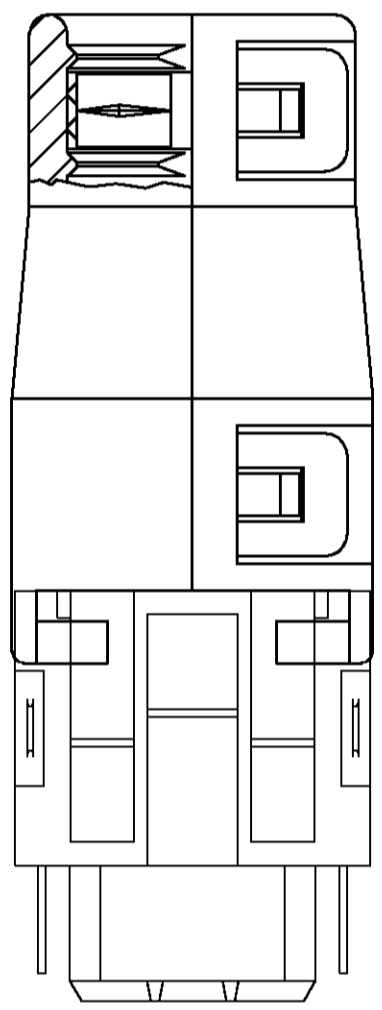
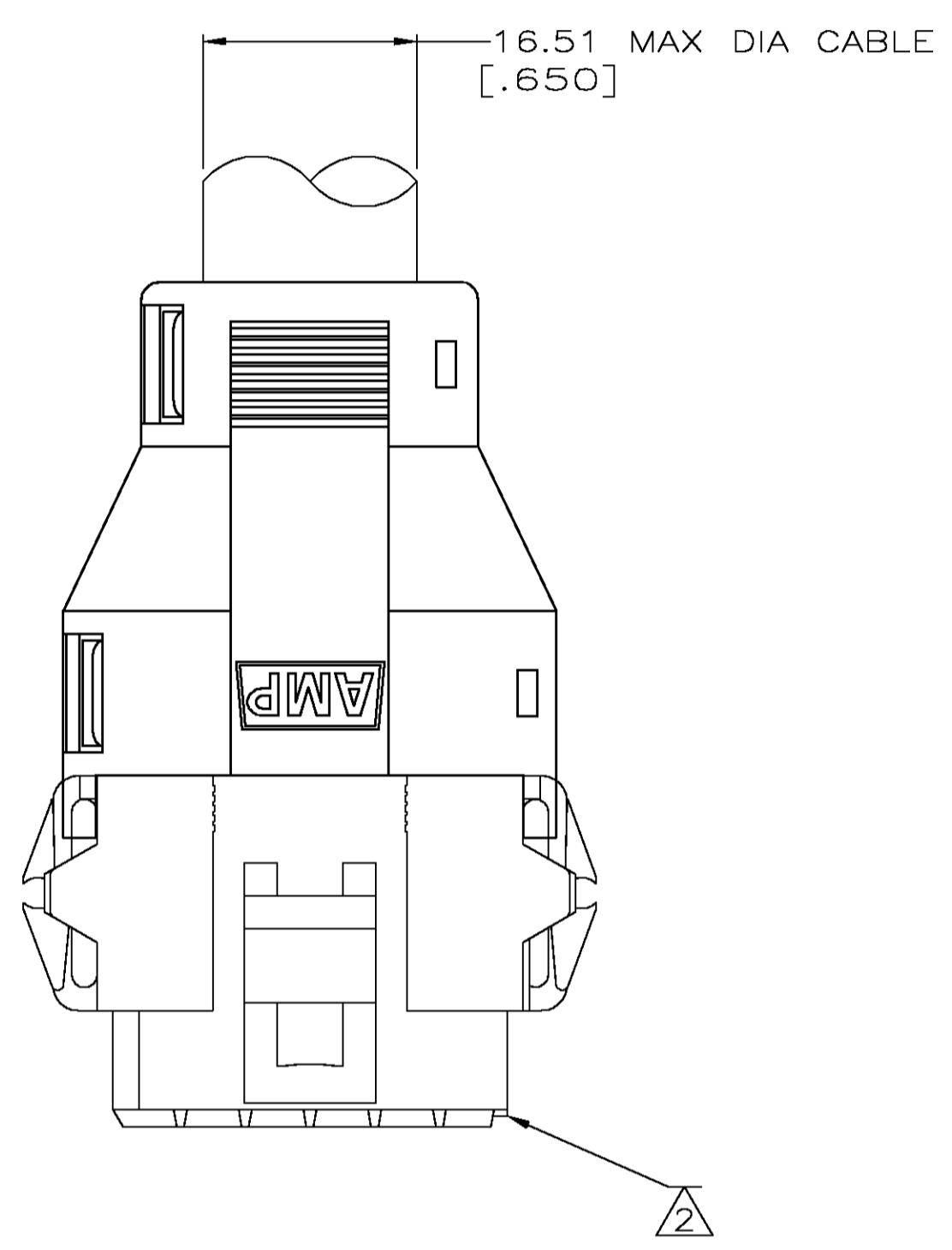
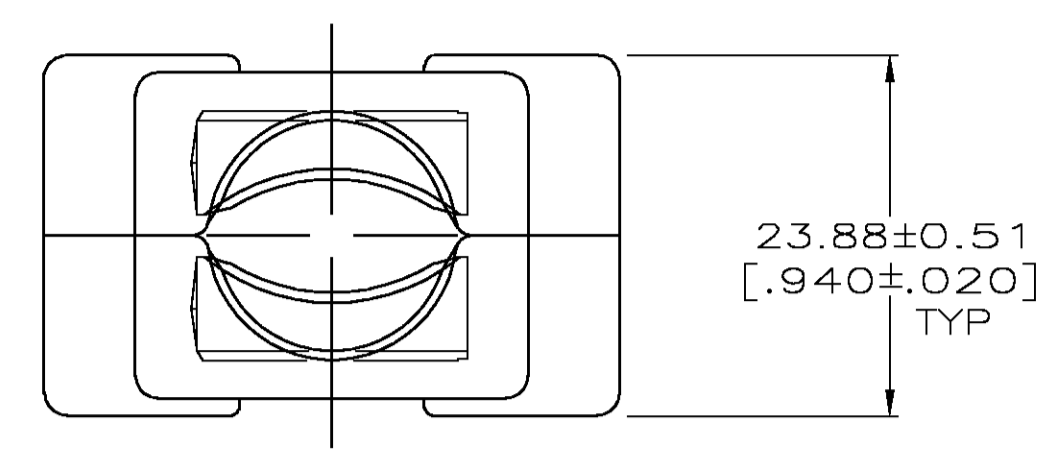
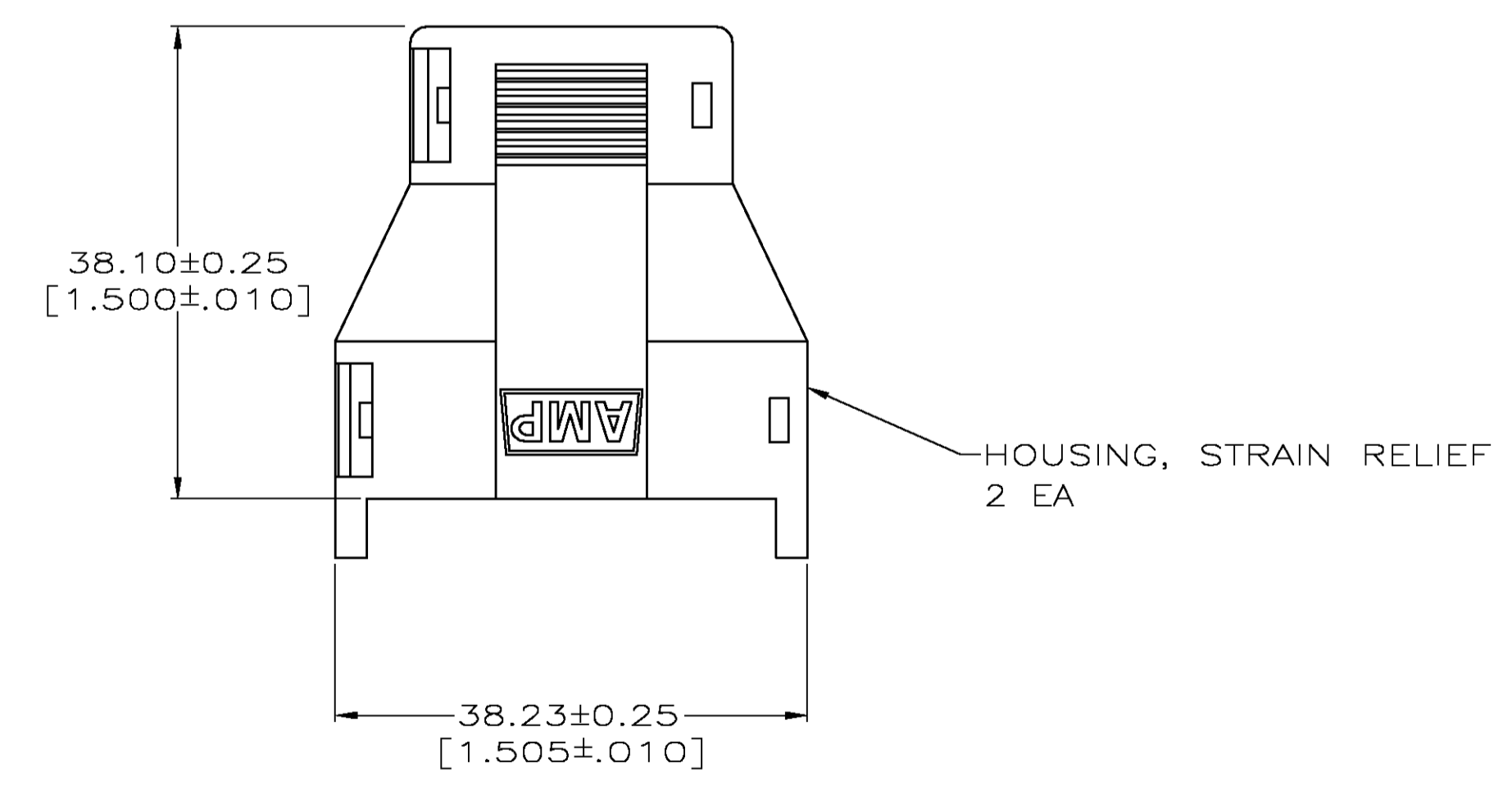
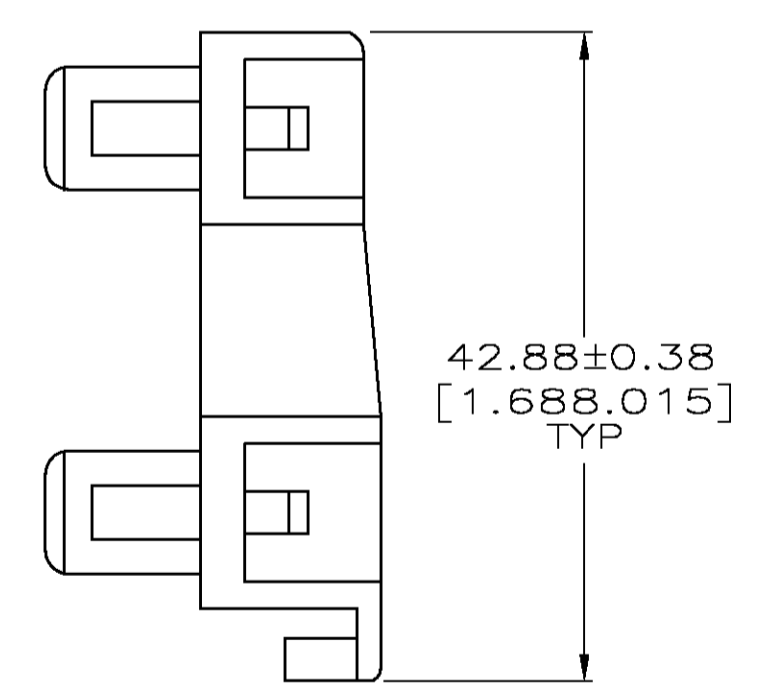
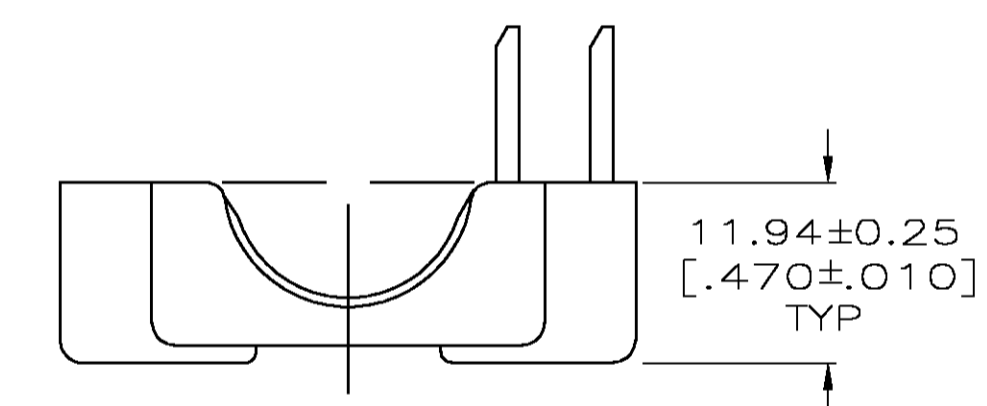
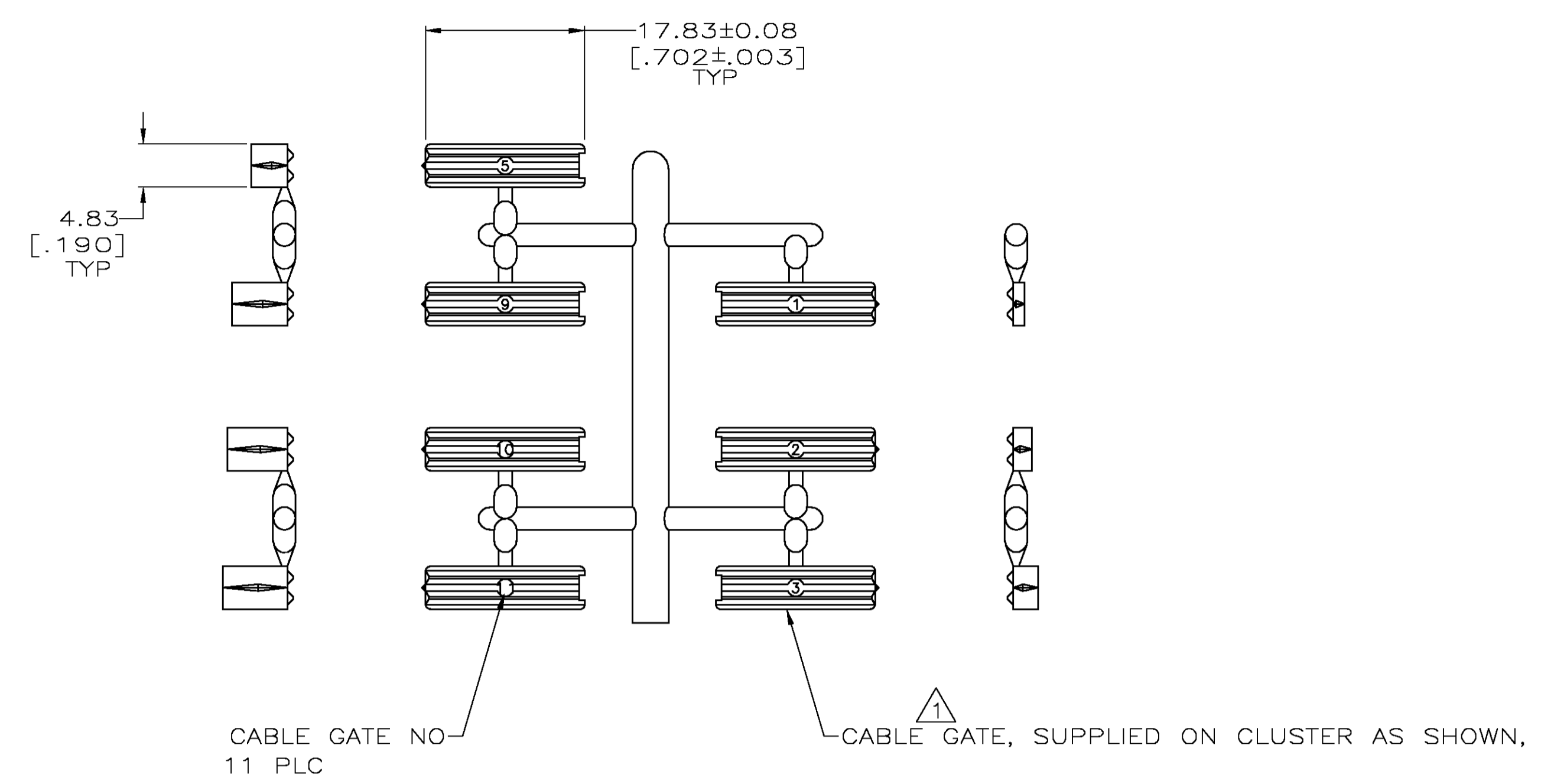


LOC		DIST		REVISIONS			
FT	0	P	LHR	DESCRIPTION	DATE	DNV	APVD
D				REVISED PER 063B-1122-04	12/2/04	SS	GS



ASSEMBLED VIEW



- △ A VARIETY OF CABLE GATES ARE PROVIDED TO ACCOMMODATE A VARIETY OF CUSTOMER CABLE SIZES.
- △ PLUG SHOWN FOR REFERENCE ONLY, STRAIN RELIEF CAN BE USED ON EITHER PLUG OR RECEPTACLE.

207603-1
PART NUMBER

THIS DRAWING IS A CONTROLLED DOCUMENT.		DIN J. McCLINTON 1-25-92		Tyco Electronics Corporation Harrisburg, Pa 17105-3608	
DIMENSIONS: INCHES		CHK R. STONE 1-29-92		NAME	
TOLERANCES UNLESS OTHERWISE SPECIFIED:		APVD		PRODUCT SPEC	
0 PLC ± -	1 PLC ± -	R. STONE		108-10033	
2 PLC ± ± 0.13[0.005]	3 PLC ± ± -	APPLICATION SPEC		-	
4 PLC ± ± -	ANGLES ± ± -	SIZE		CAGE CODE	
FINISH		DRAWING NO		RESTRICTED TO	
MATERIAL NYLON, NATURAL RED		WEIGHT		A1 00779 C=207603	
CUSTOMER DRAWING		SCALE 2:1		SHEET 1 OF 1 REV D	