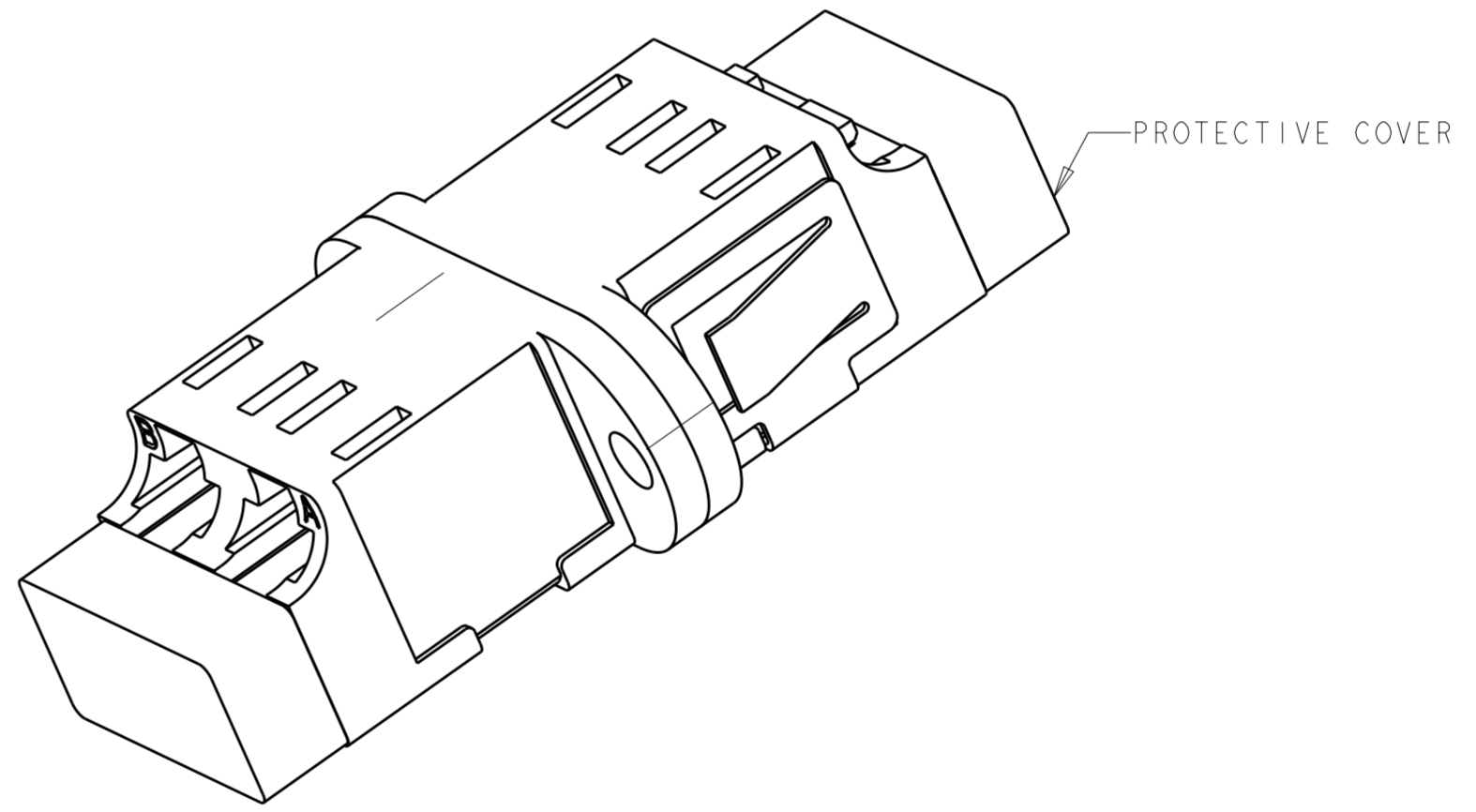
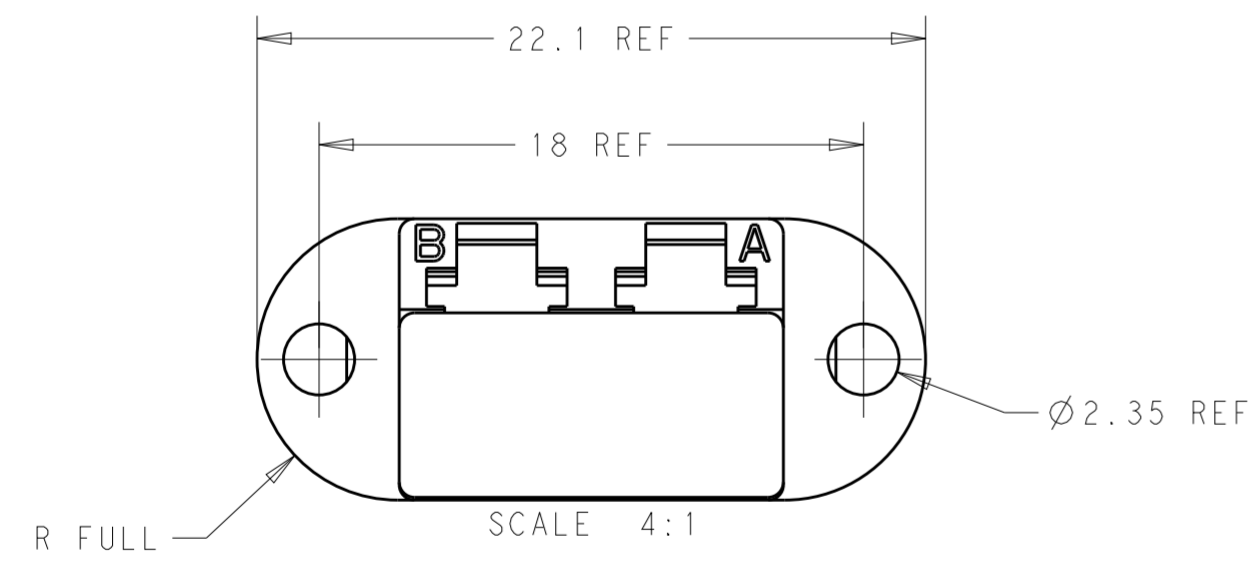
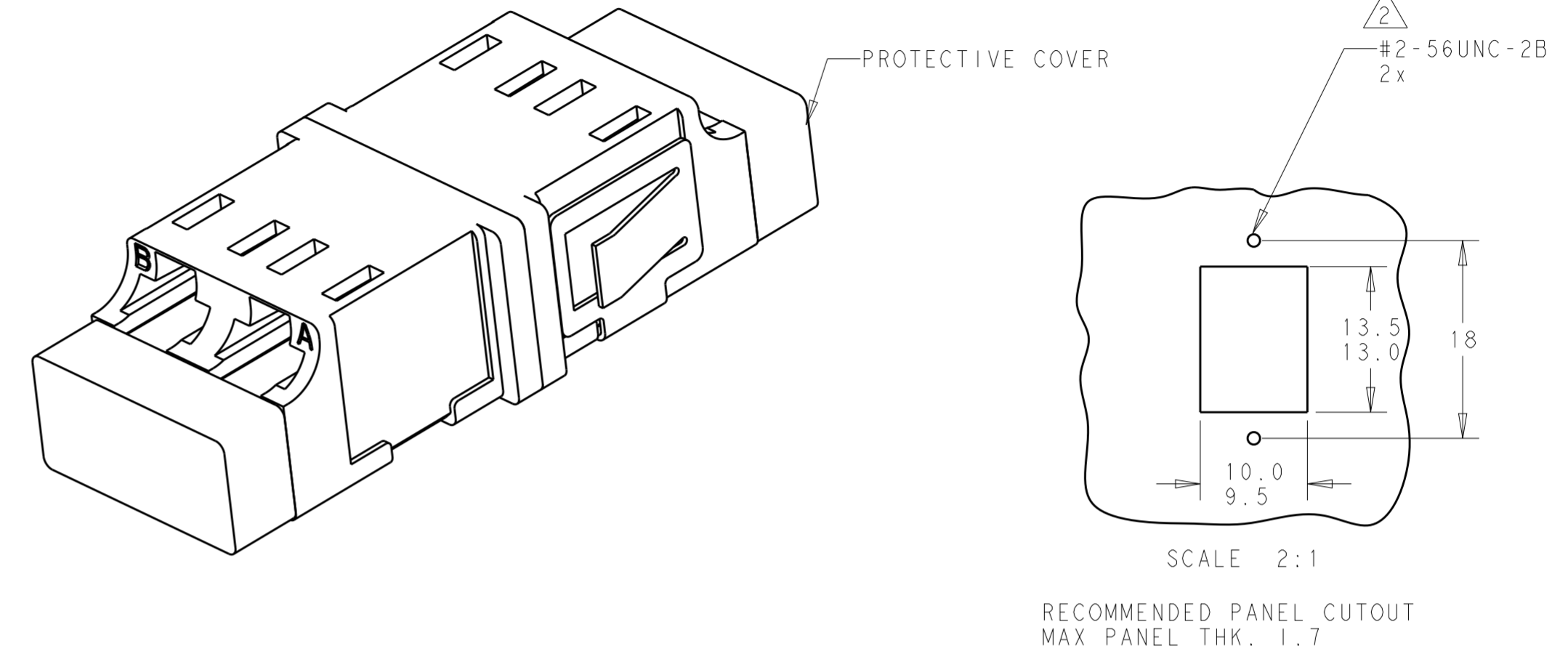
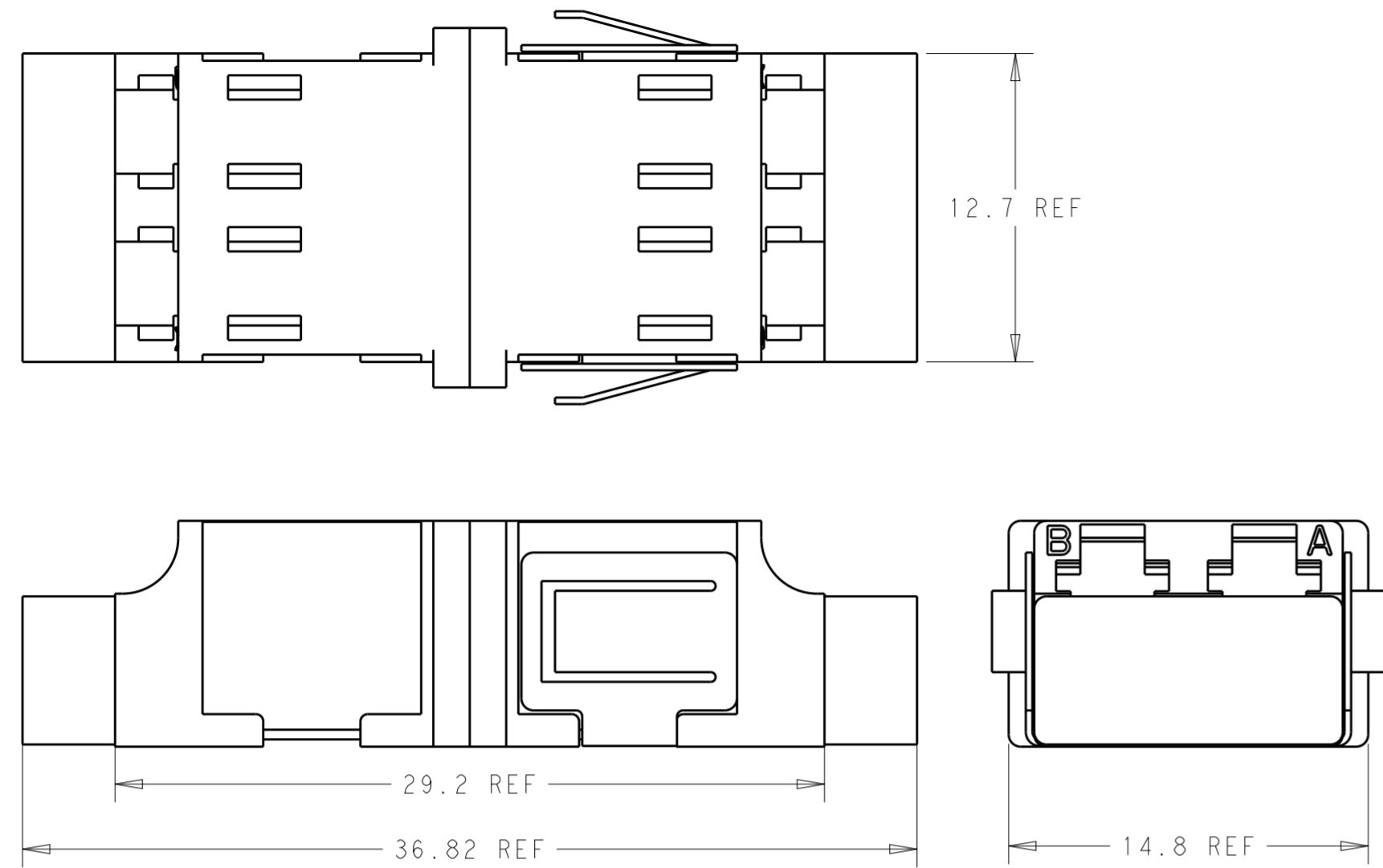


THIS DRAWING IS UNPUBLISHED. RELEASED FOR PUBLICATION 20
 © COPYRIGHT 20 ALL RIGHTS RESERVED.

LOC	DIST	REVISIONS			
P	LTR	DESCRIPTION	DATE	DWN	APVD
HG	-	B	ECR-15-006098	23APR2015	HZ RZ



1 MATERIAL:
 ADAPTER HOUSING: THERMOPLASTIC PPE-PS, COLOR: GREEN*
 PROTECTIVE COVER: TPE, COLOR: BLACK*
 ALIGNMENT SLEEVES: CERAMIC
 *UL 94 V-0 RATED AT QUALIFYING THICKNESS

2 HOLES NOLY APPLIED FOR FLANGED TYPES

GREEN	LC ADAPTER, FLANGED	2125019-2
GREEN	LC ADAPTER, FLANGELESS	2125019-1
ADAPTER COLOR	DESCRIPTION	PART NO.

THIS DRAWING IS A CONTROLLED DOCUMENT.		DWN Debbie Du	29NOV2010	STE TE Connectivity
DIMENSIONS:		CHK Hawk.Xue	29NOV2010	
TOLERANCES UNLESS OTHERWISE SPECIFIED:		APVD Carlson.Tong	29NOV2010	
mm		PRODUCT SPEC		
MATERIAL		APPLICATION SPEC		NAME LC ADAPTER ASSEMBLY, DUPLEX
0 PLC ±		WEIGHT	-	SIZE A2
1 PLC ±		CUSTOMER DRAWING		CAGE CODE A200779
2 PLC ±		SCALE	A2	DRAWING NO C-2125019
3 PLC ±		SHEET	1	OF
4 PLC ±		REV	B	RESTRICTED TO
ANGLES ±				
FINISH				