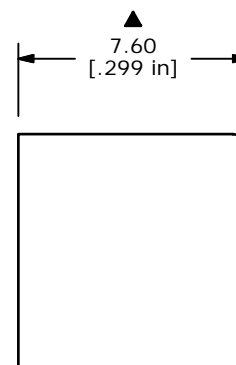
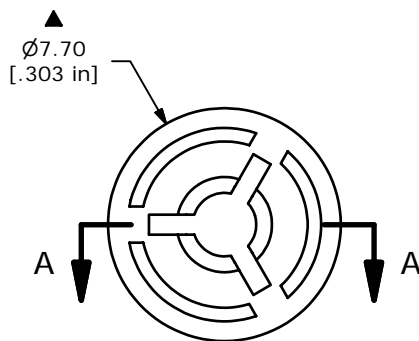
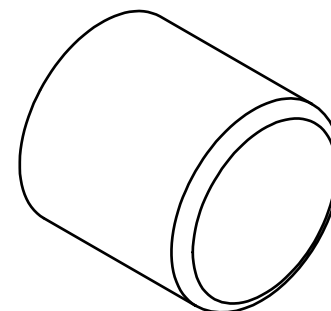


SECTION A-A
SCALE 4 : 1



NOTES:

1. ALL DIMENSIONS IN MM[INCH]
2. GENERAL TOLERANCE: X.X=±0.4
X.XX=±0.25
- ▲ 3. MATERIAL: NYLON
- ▲ 4. COLOR: WHITE
5. 2002/95/EC (ROHS) COMPLIANT
6. ▲ DENOTES CRITICAL PARAMETER.

E-SWITCH[®]

TITLE 700C1WHT CAP

C	15896	REVISED REDRAWN	3/24/06	PH
REV	PCR NO	DESCRIPTION	DATE	BY

THE INFORMATION CONTAINED IN THIS DOCUMENT IS PROPRIETARY TO E-SWITCH AND IS NOT TO BE COPIED OR TRANSFERRED

SCALE 4:1	DATE 3/24/2006	DR --	DWG T700101	REV C
-----------	----------------	-------	-------------	-------