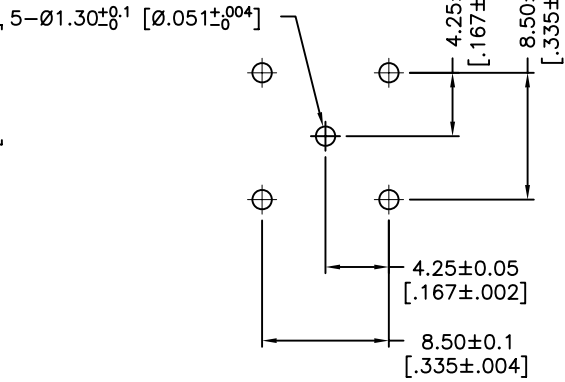
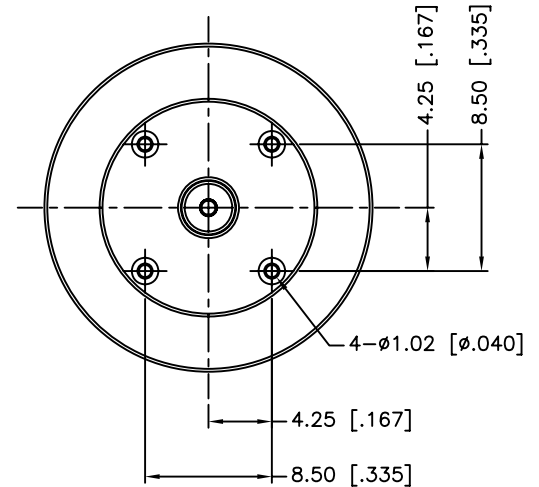
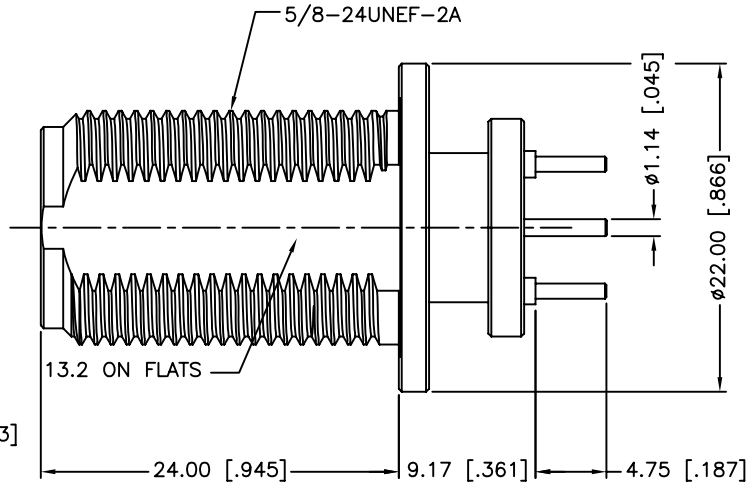
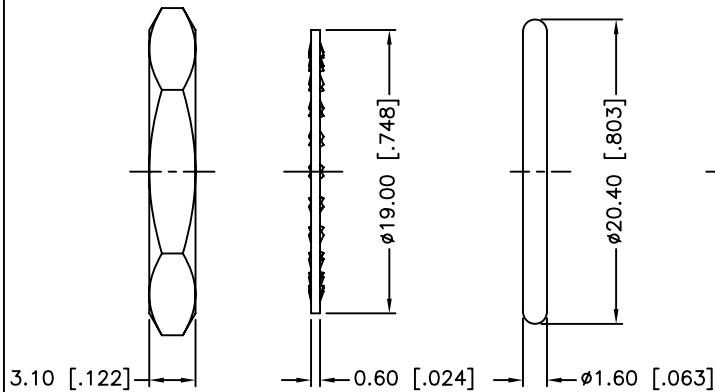


RECOMMENDED MOUNTING HOLE



PCB LAYOUT HOLE



- MAX. PANEL THICKNESS=8.5mm
- IP-67 COMPLIANT

9	HEX NUT	BRASS	NEXCOTE	1
8	LOCK WASHER	BRASS	NEXCOTE	1
7	GASKET	SILICONE	RED	1
6	PIN	BRASS	BRIGHT TIN	1
5	GASKET	SILICONE	RED	1
4	INSULATOR	PTFE	NATURAL	1
3	CONTACT PIN	BER. COPPER	GOLD	1
2	INNER BODY	BRASS	NEXCOTE	1
1	BODY	BRASS	NEXCOTE	1
	DESCRIPTION	MATERIAL	FINISH	QTY

UNLESS OTHERWISE SPECIFIED DIMENSIONS ARE IN MILLIMETERS. DIMENSIONS IN [] ARE IN INCHES AND FOR CUSTOMER REFERENCE ONLY.

UNLESS OTHERWISE SPECIFIED TOLERANCES FOR MILLIMETERS ARE:
 0.5 - 8mm ± 0.20mm
 8 - 30mm ± 0.40mm
 30 - 120mm ± 0.50mm

UNLESS OTHERWISE SPECIFIED TOLERANCES FOR INCHES ARE:
 .020 - .315 = ± 0.007"
 .315 - 1.180 = ± 0.015"
 1.180 - 4.724 = ± 0.020"

DO NOT SCALE DRAWING

APPROVALS	DATE
DRAWN M.ZHANG	11/04/10
CHECKED	
ISSUED	
SHEET 1 OF 1	
CAD FILE C:/CONNEX/172243-11.DWG	

Amphenol Connex			
PART DESCRIPTION N BULKHEAD PCB MOUNT RECEPT. JACK IP-67 COMPLIANT			
PART NO.		172243-11	
DWG. NO.	172243-11.DWG	REV.	NC
SIZE	A	SCALE	NA

REV.	DATE	ECR NO.	DESCRIPTION
NC	11/04/10	XXXXXX	INITIAL RELEASE