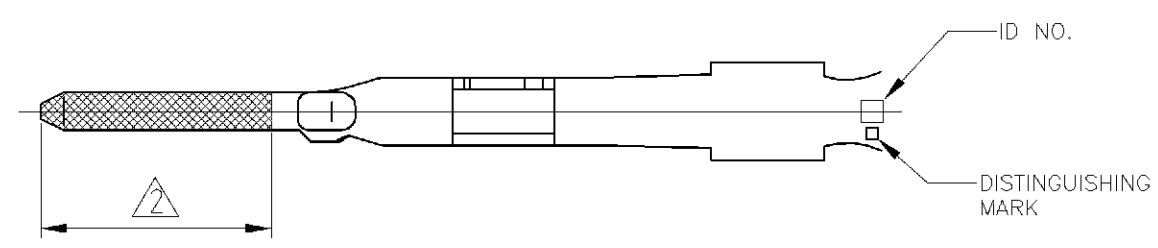
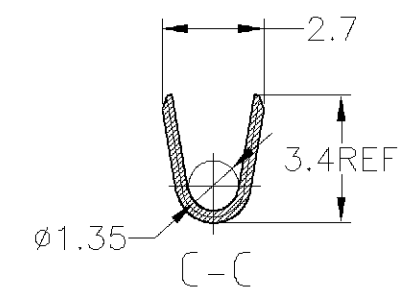
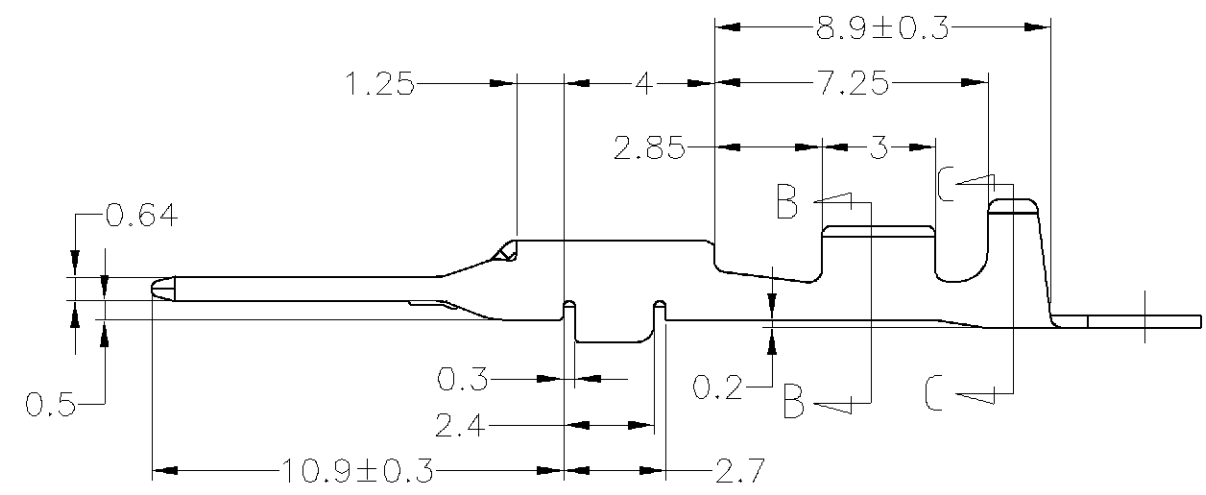
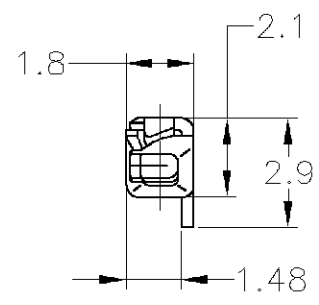
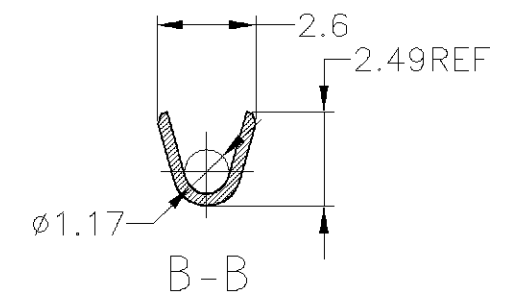
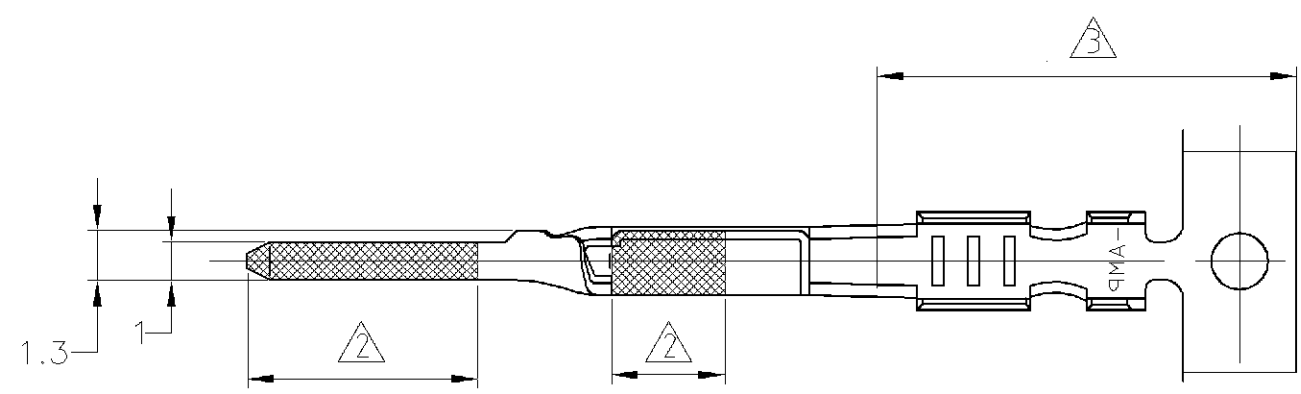


THIS DRAWING IS UNPUBLISHED. RELEASED FOR PUBLICATION
 © COPYRIGHT BY TYCO ELECTRONICS CORPORATION. ALL RIGHTS RESERVED.

LOC	DIST	P	LTR	REVISIONS	DATE	DWN	APVD
J	/			變更			
		01	REVISED	DESCRIPTION	FJ00-1165-02	30MAY02	R.K H.Y



- 1. 適用電線 : AVSS,CAVS 0.3~0.5mm²,CHFUS 0.35~0.5mm²
- △ 金めっき範囲 (-2のみ)
- △ すすめっき範囲 (-2のみ)
- 1. APPLICABLE WIRE RANGE : AVSS,CAVS 0.3~0.5mm²
CHFUS 0.35~0.5mm²
- △ GOLD PLATING AREA (-2 ONLY)
- △ TIN PLATING AREA (-2 ONLY)

TOLERANCE UNLESS OTHERWISE SPECIFIED: 一般公差	
0 < x ≤ 10	±0.2
10 < x ≤ 30	±0.25
30 < x ≤ 100	±0.3
ANGLE ; 角度	±3°

THIS DRAWING IS A CONTROLLED DOCUMENT.	
DIMENSIONS: 単位: 耗 MM	TOLERANCES UNLESS OTHERWISE SPECIFIED: 一般公差
	0 PLC ± -
	1 PLC ± -
	2 PLC ± -
	3 PLC ± -
	4 PLC ± -
MATERIAL 材料	FINISH 仕上
BRASS	SEE TABLE

DWN R.KOMIYAMA 09APR02
CHK H.YAMAGAMI 09APR02
APVD N.SAI 09APR02
PRODUCT SPEC 製品規格
APPLICATION SPEC 取付適用規格
114-5228
WEIGHT 0.31 g
CUSTOMER DRAWING

SELECTIVE GOLD/TIN △△△	1565963-2
PRE-TIN	1565963-1
FINISH	PART NUMBER
tyco Tyco Electronics AMP K.K. Electronics Kawasaki,Japan	
NAME 名称 040III UNSEALED CONTACT, TAB (S)	
SIZE A3	CAGE CODE 00779
DRAWING NO 番号	RESTRICTED TO
C-1565963	
SCALE 尺度 1:1	SHEET 1 OF 1
REV 01	