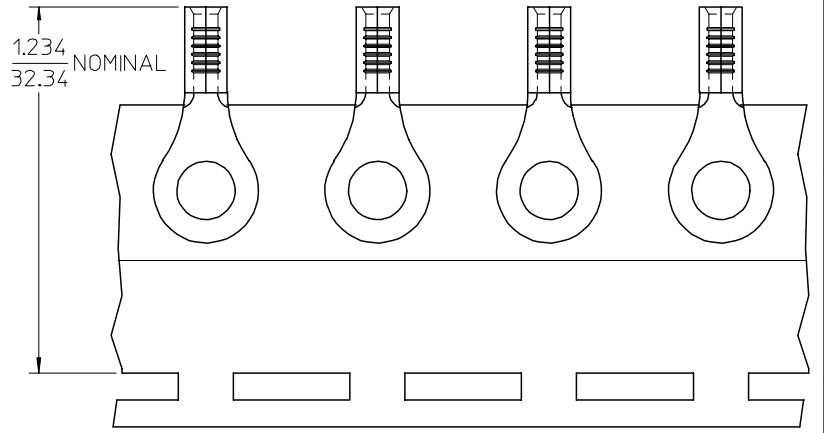
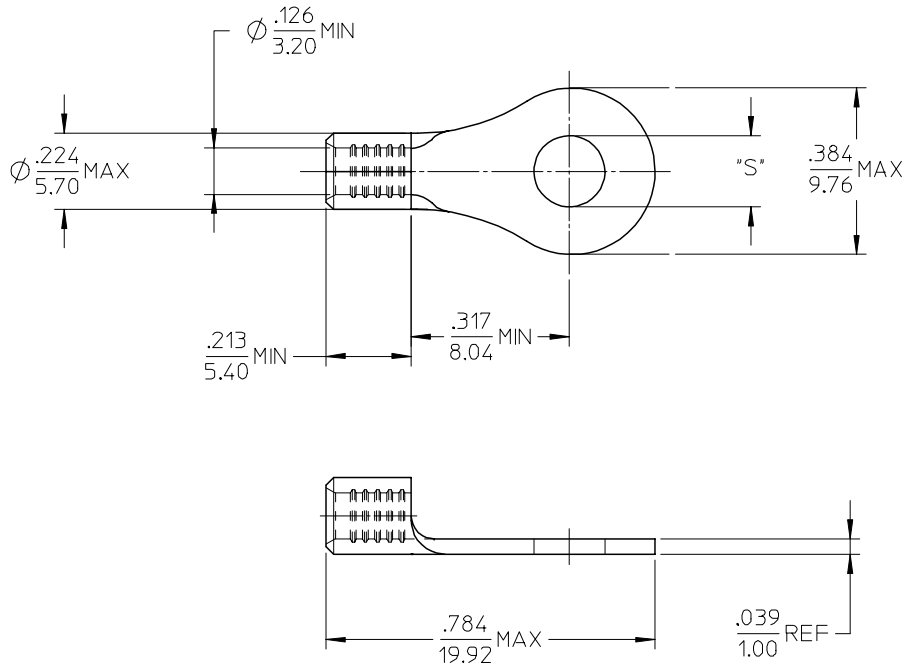


MATERIAL NO.	ENG. NO.	STUD SIZE	"S" MAX	DESCRIPTION
192030389	C-S-128-10	10	.212/5.38	LOOSE
192030094	C-S-128-10T	10	.212/5.38	TAPE



PARTS ON TAPE

NOTE(S):

- MATERIAL: STEEL
- WIRE SIZE: 12-10 AWG (4.0-6.0 MM²)
- FINISH: NICKEL PLATING
- PART IS ROHS COMPLIANT.
- AMBIENT OPERATING TEMPERATURE UP TO 900 °F (483 °C).

ADDED OPERATING TEMP EC NO: ETC2007-0297 DRW: DRWNEHLE 2007/03/13 CHKD: JMAGNEIL 2007/03/13 APPR: JMAGNEIL 2007/03/14	QUALITY SYMBOLS ▽=0 ▽=0	GENERAL TOLERANCES (UNLESS SPECIFIED)		DIMENSION STYLE	SCALE	DESIGN UNITS	THIRD ANGLE PROJECTION	
				IN/MM	4:1	INCH		
		4 PLACES	± ---	± ---	DRAWN BY	DATE	TITLE	
		3 PLACES	± ---	± ---	DMYRICK	2005/04/06	RING TONGUE TERMINAL, 12-10 AWG, KRIMPTITE, 900 DEG F (483 DEG C)	
2 PLACES	± ---	± ---	CHECKED BY	DATE	MOLEX INCORPORATED			
1 PLACE	± ---	± ---	RDEROSS	2005/04/06	DOCUMENT NO.			
ANGULAR ± ---°			APPROVED BY	DATE	SD-19203-018			
			RDEROSS	2005/04/06	SHEET NO.			
DRAFT WHERE APPLICABLE MUST REMAIN WITHIN DIMENSIONS		MATERIAL NO.		SEE CHART		1 OF 1		
		SIZE		THIS DRAWING CONTAINS INFORMATION THAT IS PROPRIETARY TO MOLEX INCORPORATED AND SHOULD NOT BE USED WITHOUT WRITTEN PERMISSION				