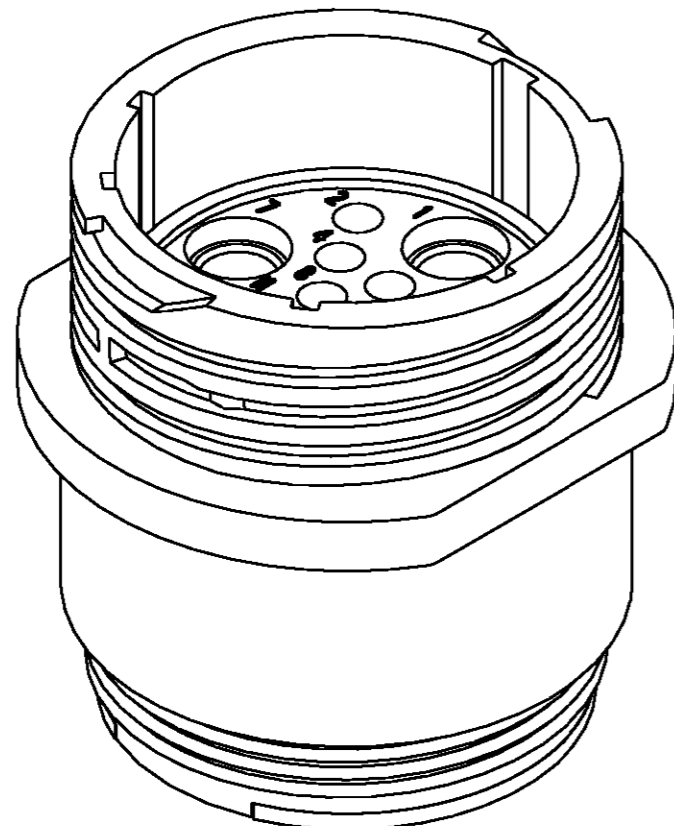
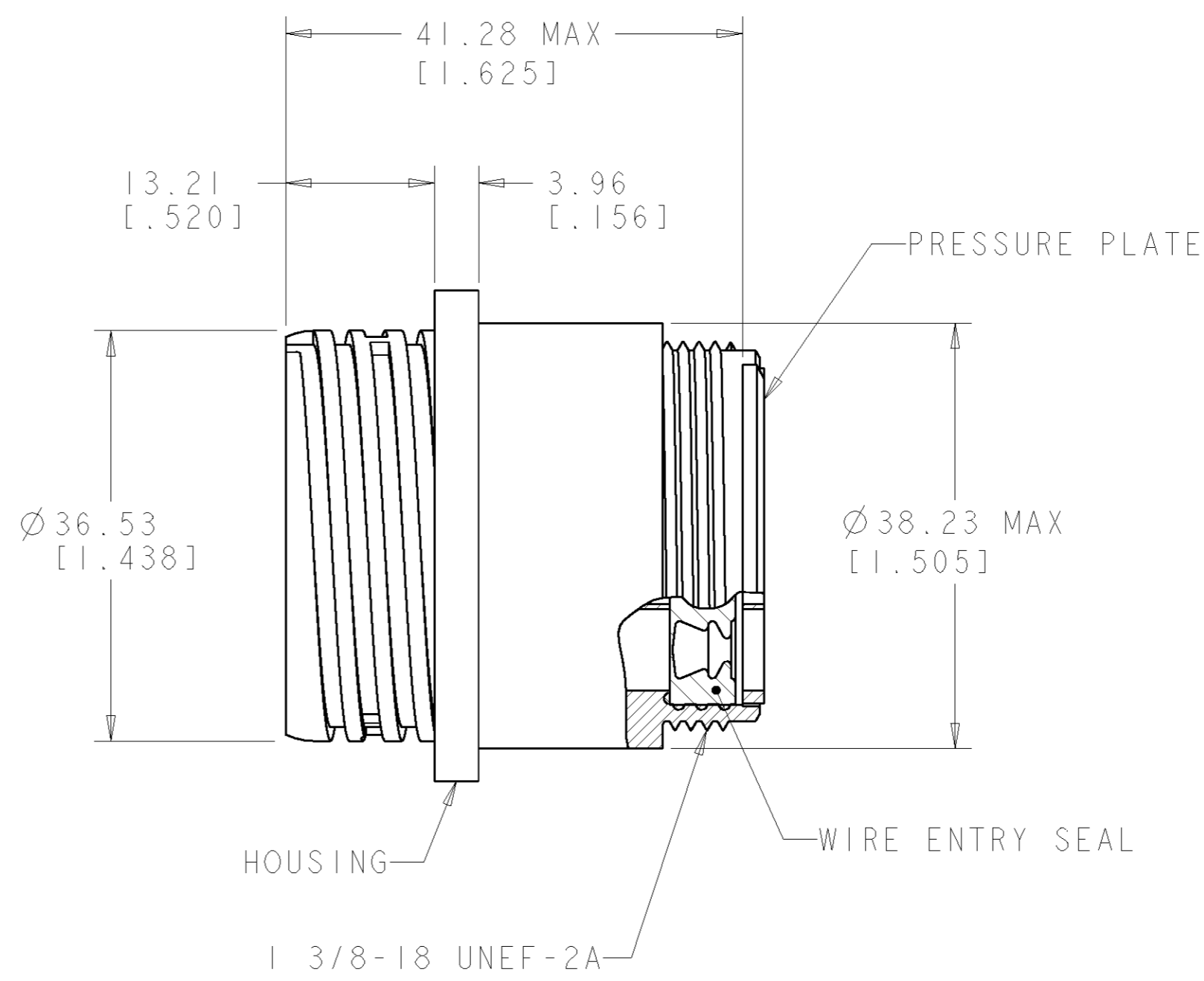
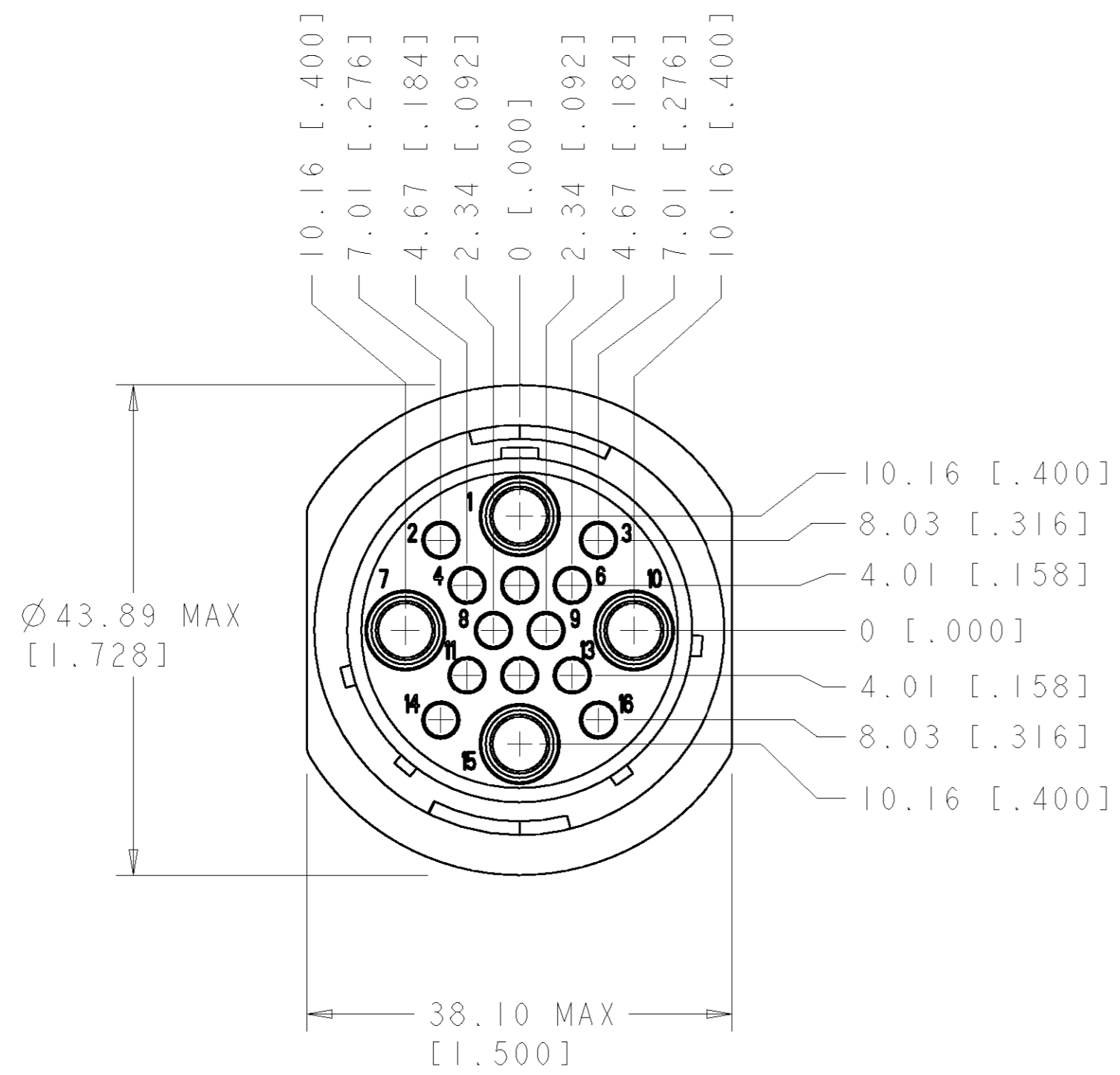


THIS DRAWING IS UNPUBLISHED. RELEASED FOR PUBLICATION  
 © COPYRIGHT 19 BY AMP INCORPORATED. ALL RIGHTS RESERVED.

| LOC | DIST | REVISIONS |     |                              |         |     |      |
|-----|------|-----------|-----|------------------------------|---------|-----|------|
| FT  | 0    | P         | LTR | DESCRIPTION                  | DATE    | DWN | APVD |
|     |      | 0         |     | RLSE NPR 5728, WAS 97-7970-1 | 09SEP99 | SW  | KD   |



△ HOUSING & PRESSURE PLATE: NYLON, BLACK.  
 WIRE ENTRY SEAL: ELASTOMER, RED-IRON OXIDE.  
 PERIPHERAL SEAL: POLYESTER, BLACK.  
 2. WILL ACCEPT (12) MULTIMATE PINS AND (4) POWER MALE CONTACTS.

796207-1  
 PART NUMBER

|  |   |   |   |
|--|---|---|---|
| <small>THIS DRAWING IS A CONTROLLED DOCUMENT FOR AMP INCORPORATED. IT IS SUBJECT TO CHANGE AND THE CONTROLLING ENGINEERING ORGANIZATION SHOULD BE CONTACTED FOR THE LATEST REVISION.</small> |   | DWN S. WELDON 09SEP99<br>CHK K. DOWHWER 09SEP99<br>APVD K. DOWHWER 09SEP99  | <b>AMP</b> AMP Incorporated<br>Harrisburg, PA 17105-3608            |
| DIMENSIONS:<br>mm [INCHES]   | TOLERANCES UNLESS OTHERWISE SPECIFIED:<br>0 PLC ±<br>1 PLC ±<br>2 PLC ±0.02<br>3 PLC ±<br>4 PLC ±<br>ANGLES ±<br>FINISH - | NAME RECEPTACLE ASSY, SERIES 6, STANDARD SEX, SIZE 23-16, CIRCULAR PLASTIC CONNECTOR<br>PRODUCT SPEC 108-1579<br>APPLICATION SPEC -<br>WEIGHT - | SIZE A2<br>CAGE CODE 00779<br>DRAWING NO. 796207<br>RESTRICTED TO - |
| MATERIAL - △   |   | CUSTOMER DRAWING  | SCALE 2:1 SHEET 1 OF 1 REV 0  |