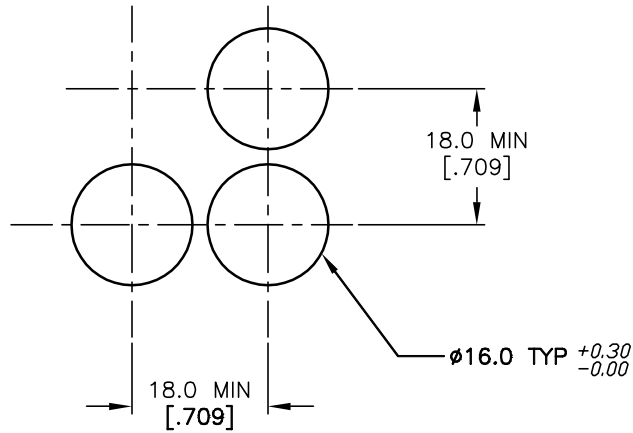
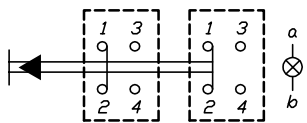


ITEM	QTY.	PART NO.	PART DESCRIPTION
1	1	F040016	D16 EE R12
2	1	F050406	50-004-06 (INCANDESCENT BULB)
3	1	F050111	50-001-11 (BLU LENS TRANSPARENT)

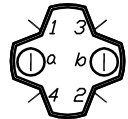
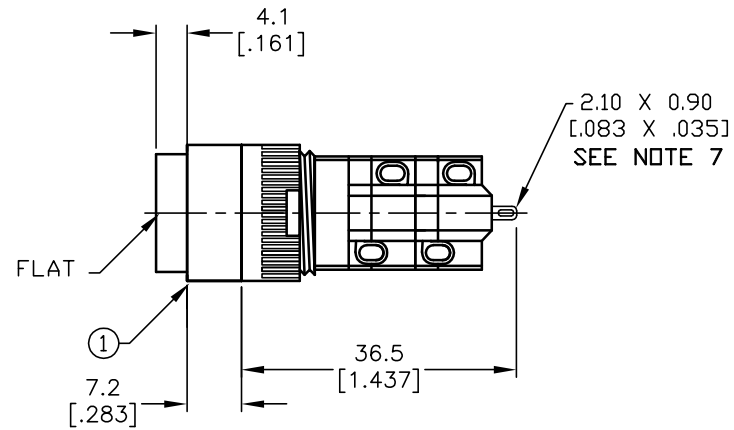
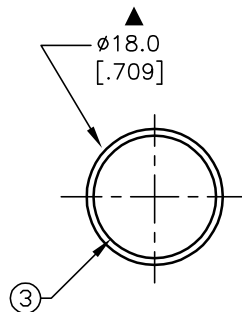


RECOMMEND PANEL MOUNTING



1 o 2
3 o 4
a-(L)-b (+)

CIRCUIT: DPST
CONTACT CONFIGURATION



NOTES:

1. ALL DIMENSIONS IN MM [INCH]
2. GENERAL TOLERANCE: X.X=±0.4
X.XX=±0.25
3. TERM. NOS. FOR REFERENCE ONLY.
4. RATING: 5A@250V AC / 8A@125V AC
5. MECHANICAL LIFETIME: >2 MILLION OPERATIONS
6. TRAVEL: 3.0MM
7. CONTACT MATERIAL: COPPER ALLOY W/SILVER PLATING
- ▲ 8. LAMP VOLTAGE: 48VAC OR DC 25mA
9. ▲ DENOTES CRITICAL PARAMETER.

E-SWITCH®

TITLE					D16EER12DBLU (LATCHING)				
SCALE	DATE	DR	DWG	REV					
1.5:1	9/18/03	AR	XF0566P	A					

A	13469	RELEASED FOR PRODUCTION	9/18/03	AR
REV.	ECN No.	DESCRIPTION	DATE	CHKD

THE INFORMATION CONTAINED IN THIS DOCUMENT IS PROPRIETARY TO E-SWITCH AND IS NOT TO BE COPIED OR TRANSFERRED