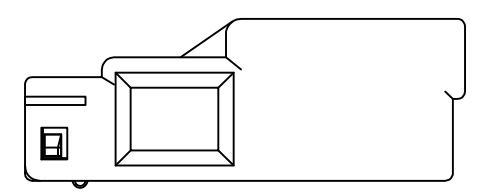
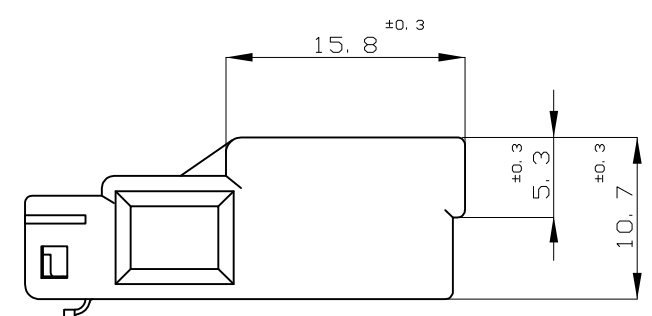
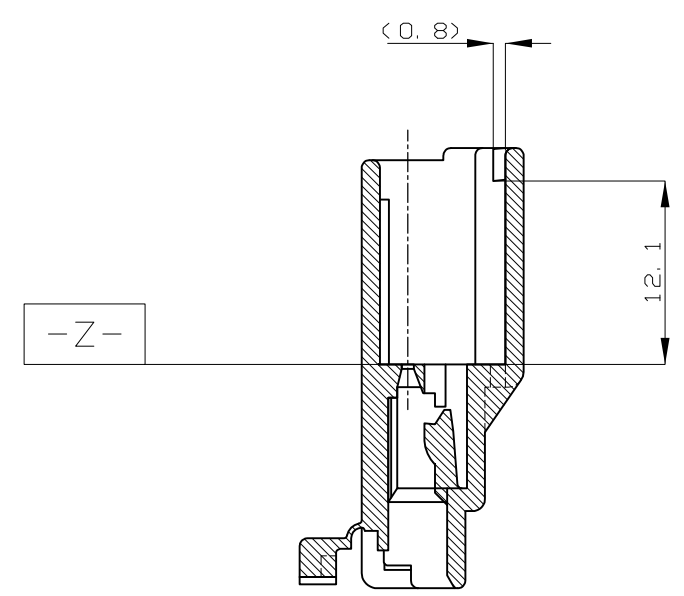
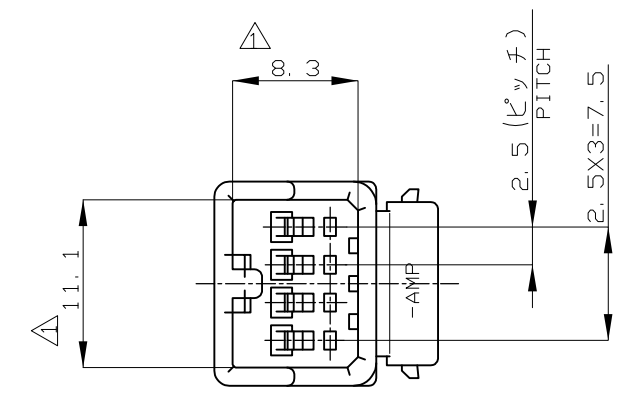
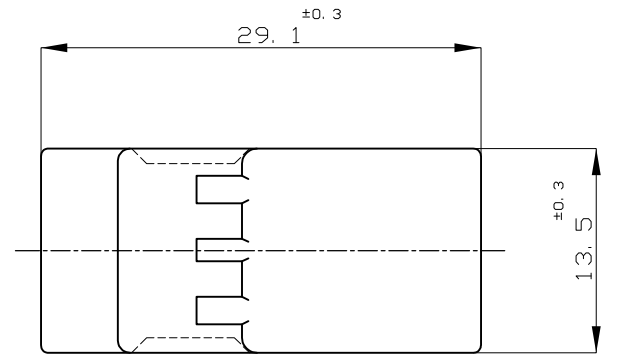
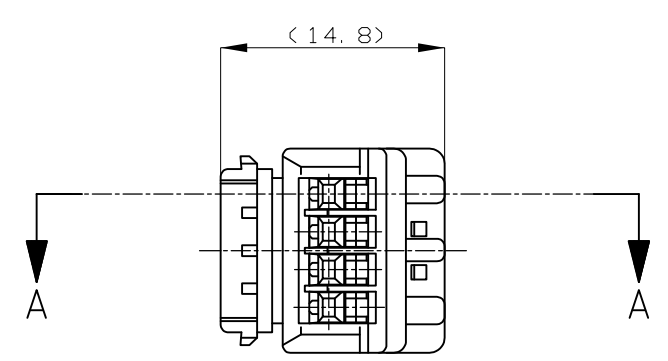


THIS DRAWING IS UNPUBLISHED. RELEASED FOR PUBLICATION  
 © COPYRIGHT - By - ALL RIGHTS RESERVED.

| LOC | DIST | REVISIONS |     |                           |         |     |      |
|-----|------|-----------|-----|---------------------------|---------|-----|------|
| J   | -    | P         | LTR | DESCRIPTION               | DATE    | DWN | APVD |
|     |      | B2        |     | REVISED PER ECO-11-005140 | 28MAR11 | RK  | HMR  |



A-A

二重ロック時  
DOUBLE LOCKED

△ TO BE MEASURED WITHIN 2mm FROM [-Z-]  
 2. THE MEATING PLUG HOUSING PART NUMBER; 174966  
 3. APPLICABLE CONTACT PART NUMBER, 173682

△ [-Z-] 面から2mmの範囲で測定  
 2. 相手側ハウジング型番; 174966  
 3. 適用端子型番、 173682

|           |                 |
|-----------|-----------------|
| 青 (BLUE)  | 174967-5        |
| 緑 (GREEN) | 174967-4        |
| 黒 (BLACK) | 174967-2        |
| 色 (COLOR) | 製品型番 (PART NO.) |

TOLERANCE UNLESS OTHERWISE SPECIFIED:  
一般公差

|              |         |
|--------------|---------|
| 0 < x ≤ 10   | : ±0.2  |
| 10 < x ≤ 30  | : ±0.25 |
| 30 < x ≤ 100 | : ±0.3  |
| ANGLE ; 角度   | : ±3°   |

THIS DRAWING IS A CONTROLLED DOCUMENT.

|                            |  |
|----------------------------|--|
| DIMENSIONS:<br>単位: 耗<br>mm | TOLERANCES UNLESS OTHERWISE SPECIFIED:<br>一般公差 |
|                            | 0 PLC ± -                                      |
|                            | 1 PLC ± -                                      |
|                            | 2 PLC ± -                                      |
|                            | 3 PLC ± -                                      |
|                            | 4 PLC ± -                                      |
|                            | ANGLES ± -                                     |
| MATERIAL<br>材料<br>PBT      | FINISH<br>仕上<br>-                              |

|                                  |            |                    |   |                    |
|----------------------------------|------------|--------------------|---|--------------------|
| DWN<br>M.SUGAWARA<br>02AUG06     |            |                    | NAME<br>4POSITION CAP HOUSING<br>040SERIES MULTI-LOCK CONNECTOR |                    |
| CHK<br>K.BETSUI<br>02AUG06       |            |                    |   |                    |
| APVD<br>K.BETSUI<br>02AUG06      |            |                    |   |                    |
| PRODUCT SPEC<br>製品規格<br>108-5352 |            |                    |   |                    |
| APPLICATION SPEC<br>取付適用規格       | SIZE<br>A3 | CAGE CODE<br>00779 | DRAWING NO<br>番号<br>C-174967                                    | RESTRICTED TO<br>- |
| CUSTOMER DRAWING                 |            | SCALE<br>尺度<br>2:1 | SHEET<br>1 OF 1   | REV<br>B2          |