

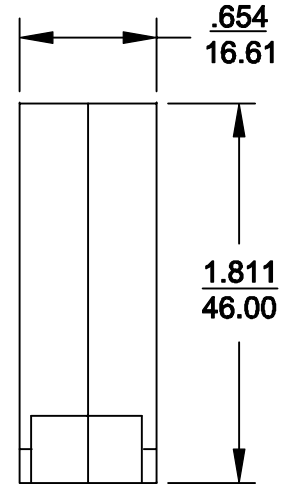
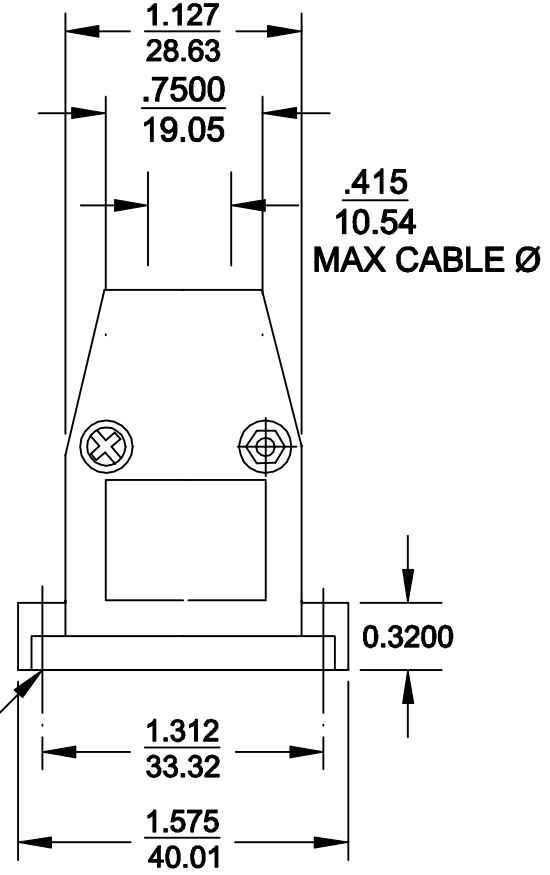
DESCRIPTION: **980 SERIES ETHERNET STRAIGHT BACKSHELL**

980-XXX-XXX-XX1

**BACKSHELL KIT INCLUDES:**


- (2) BACKSHELL HALVES
- (2) HOUSING SCREWS
- (2) HOUSING NUTS
- (1) GROMMET TREE - VARIOUS SIZES  
(NON-CONDUCTIVE GROMMETS)

SERIES \_\_\_\_\_  
 POSITIONS \_\_\_\_\_  
 015 \_\_\_\_\_  
 MATERIAL \_\_\_\_\_  
 030 = ZINC \_\_\_\_\_  
 COLOR: \_\_\_\_\_  
 12 = NICKEL OVER COPPER \_\_\_\_\_  
 PUT-UPS \_\_\_\_\_  
 1 = KIT \_\_\_\_\_



4-40 INTERNAL THREADS

**MATERIAL: DIE-CAST ZINC ALLOY**  
**NICKEL PLATED**

	THESE DRAWINGS AND SPECIFICATIONS ARE THE PROPERTY OF NorComp AND SHALL NOT BE REPRODUCED, COPIED OR USED AS THE BASIS FOR THE MANUFACTURE OR SALE OF APPARATUS WITHOUT WRITTEN PERMISSION.		DRAWN: <b>PAM JENKINS</b>	DATE: <b>8-7-98</b>	
	<h1>NorComp</h1>			CHECKED:	DATE:
SCALE				SHEET OF	REV <b>2</b>
DWG NO. <b>980-015-030-121</b>					