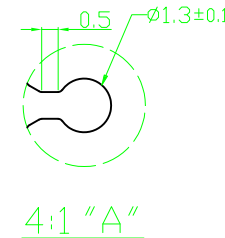
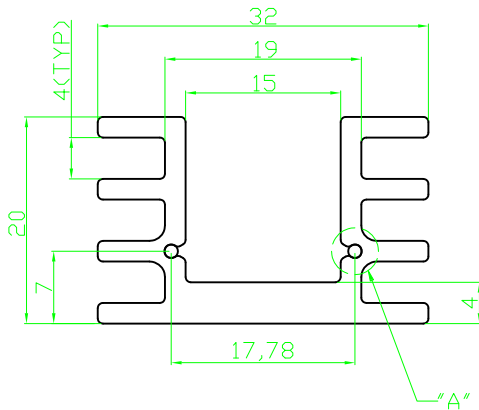
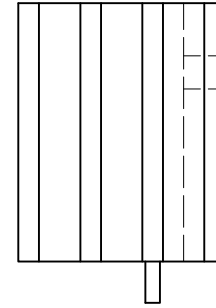
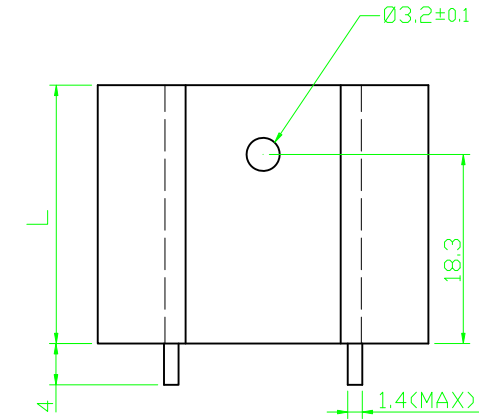


RoHS compliant



Notes
Finished : Black Anodized

Option	L	Thermal resistance(K/W)
V5220W	25	10
V5220X	37.5	8
V5220Y	50	7

Scale	1:1					Date	Name	Customer-No.
TOLERANCE						Drawn	19.03.2002	Hellwig
						Approved	10.03.2010	Andy
UNIT	±X	③	Modify drawing layout	10.03.2010	Alex			ASSMANN WSW-No. V5220x
DIM	TOL	②	Update	11.08.2009	Dean			Drawing-No. ASS 0498 HS
X.°	±X°	①	Drawn	19.03.2002	Hellwig			rev03
X.X°	±X°							
Angle	TOL	Id.	Modification	Date	Name	Replace	Sheet	

1

2

3

4

5

6

7