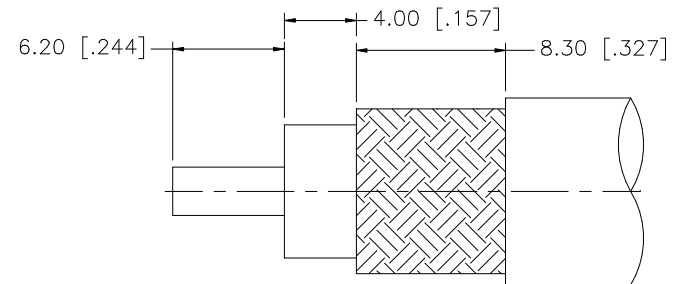
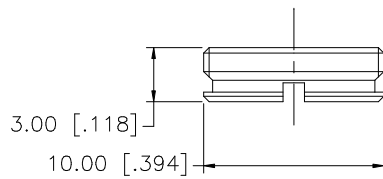
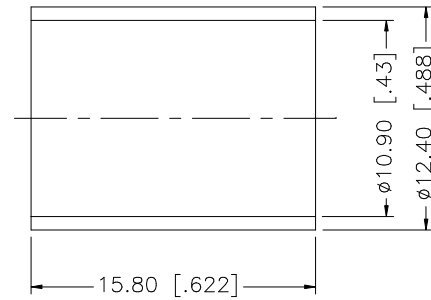
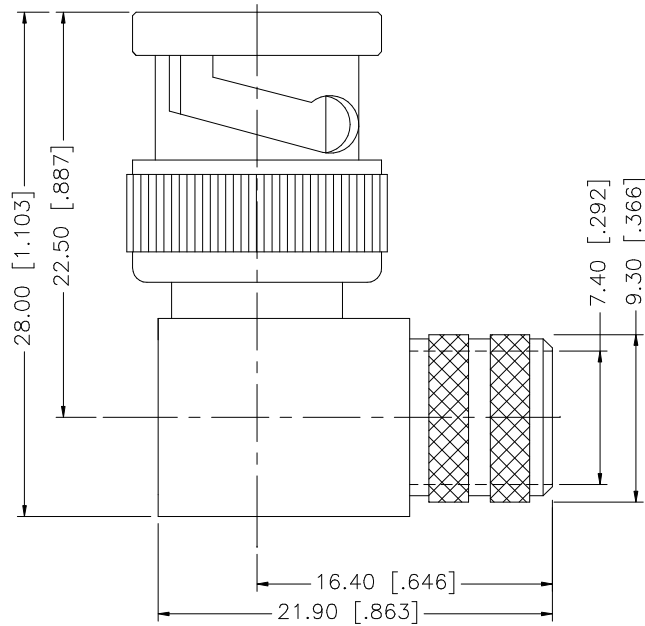


REV.	DATE	DESCRIPTION
NC	06/15/98	INITIAL RELEASE
A	07/20/05	UPDATE DRAWING FORMAT



RECOMMENDED
CABLE STRIPPING DIM'S

8				<p>UNLESS OTHERWISE SPECIFIED DIMENSIONS ARE IN MILLIMETERS. DIMENSIONS IN [] ARE IN INCHES AND FOR CUSTOMER REFERENCE ONLY.</p> <p>UNLESS OTHERWISE SPECIFIED TOLERANCES FOR MILLIMETERS ARE: 0.5 - 8mm ± 0.20mm 8 - 30mm ± 0.40mm 30 - 120mm ± 0.50mm</p> <p>UNLESS OTHERWISE SPECIFIED TOLERANCES FOR INCHES ARE: .020 - .315 = ± 0.007" .315 - 1.180 = ± 0.015" 1.180 - 4.724 = ± 0.020"</p> <p>DO NOT SCALE DRAWING</p>	APPROVALS	DATE	<h1 style="color: blue; margin: 0;">Amphenol Connex</h1>							
7					DRAWN	G.R.S.		07/20/05						
6					CHECKED									
5	COVER	BRASS	NICKEL		1	ISSUED								
4	FERRULE	BRASS	NICKEL		1	SHEET	1 OF 1	PART DESCRIPTION						
3	CONTACT PIN	BRASS	GOLD		1			BNC R/A CRIMP PLUG (FOR BELDEN 9913, 9914, LMR400 CABLE)						
2	INSULATOR	TEFLON	NATURAL		1			PART NO.						
1	BODY	BRASS	NICKEL		1			112596						
	DESCRIPTION	MATERIAL	FINISH	QTY	CAD FILE	C:/112/112596.DWG	DWG. NO.	112596.DWG	REV.	A	SIZE	A	SCALE	NA