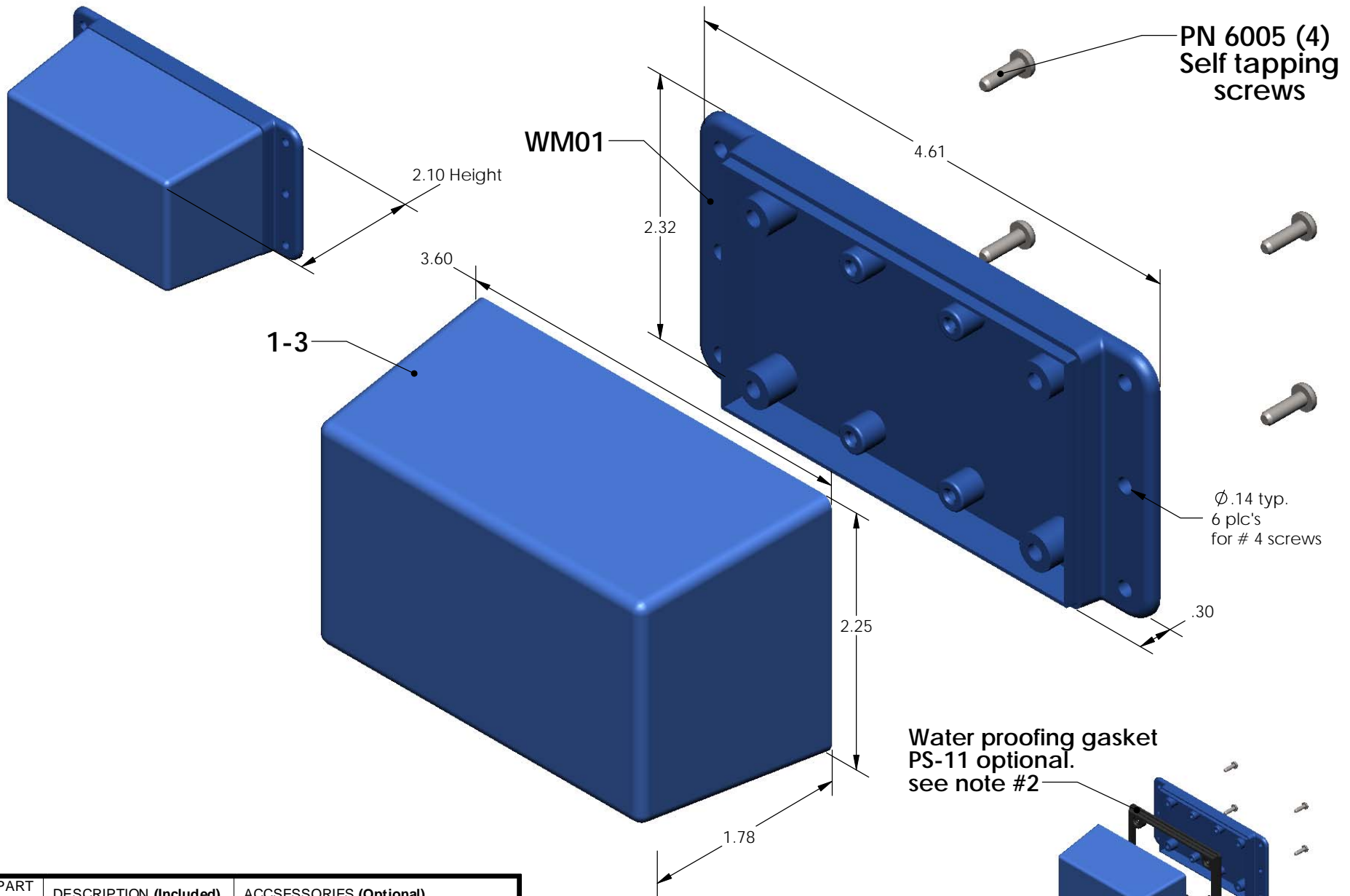


SERPAC WM013 (exploded isometric)

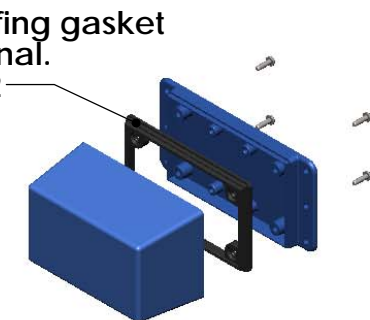
Electronic Enclosures



PART NO.	DESCRIPTION (Included)	ACCESSORIES (Optional)	
		PART NO.	DESCRIPTION
1-3	TOP		
WM01	BOTTOM	50	Non-skid Feet
6005	#4 self tapping screw (4)	PS-11	Perimeter Seal
		310	Prototype grid board (bottom only)
		410	Prototype clad board (bottom only)

Notes:

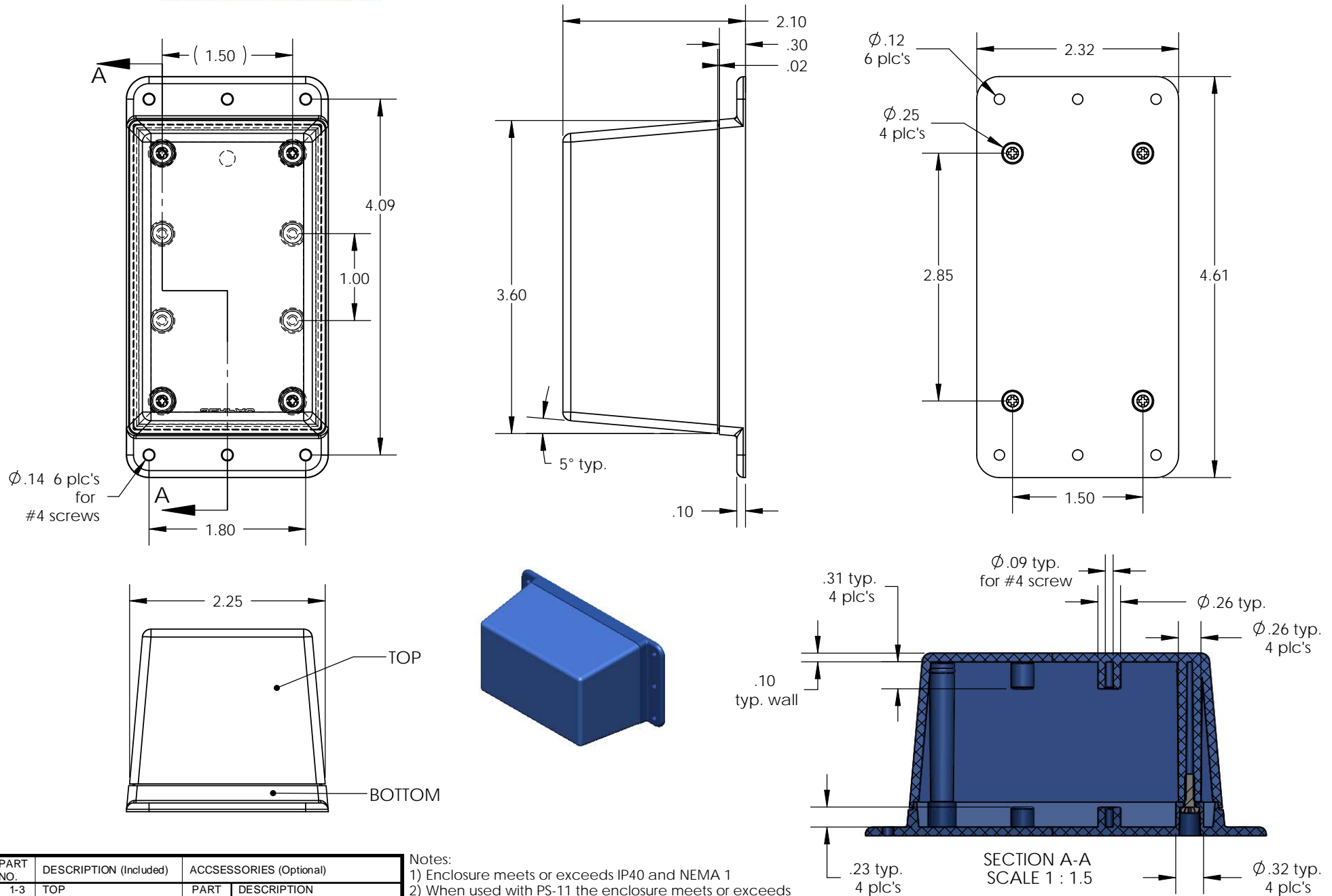
- 1) Enclosure meets or exceeds IP40 and NEMA 1
- 2) When used with PS-11 the enclosure meets or exceeds IP 67 and NEMA 4X, 12 and 13 MIL-STD-810G 506.5
- 3) Circuit Board drawings can be download at: <http://www.serpac.com/Accessories/CircuitBoard/drawings/310-410.pdf>
- 4) All components are RoHS Compliant.



ALL DIMENSIONS ARE ±.010" 5/7/09 (1 of 2)
 619 Commercial Ave. Covina, CA 91723
 Ph. (626) 331-0517 Fx. (626) 331-8584 serpac.com

SERPAC WM013 (user print)

Electronic Enclosures



PART NO.	DESCRIPTION (Included)	ACCESSORIES (Optional)	
1-3	TOP	PART NO.	DESCRIPTION
WM01	BOTTOM	50	Non-skid Feet
6005	#4 self tapping screw (4)	PS-11	Perimeter Seal
		310	Prototype grid board (bottom only)
		410	Prototype clad board (bottom only)

Notes:

- 1) Enclosure meets or exceeds IP40 and NEMA 1
- 2) When used with PS-11 the enclosure meets or exceeds IP 67 and NEMA 4X, 12 and 13 MIL-STD-810G 506.5
- 3) Circuit Board drawings can be download at:

<http://www.serpac.com/Accessories/CircuitBoard/drawings/310-410.pdf>

- 4) All components are RoHS Compliant.

ALL DIMENSIONS ARE $\pm .010"$ 5/5/09 (2 of 2)
 619 Commercial Ave. Covina, CA 91723
 Ph. (626) 331-0517 Fx. (626) 331-8584 www.serpac.com