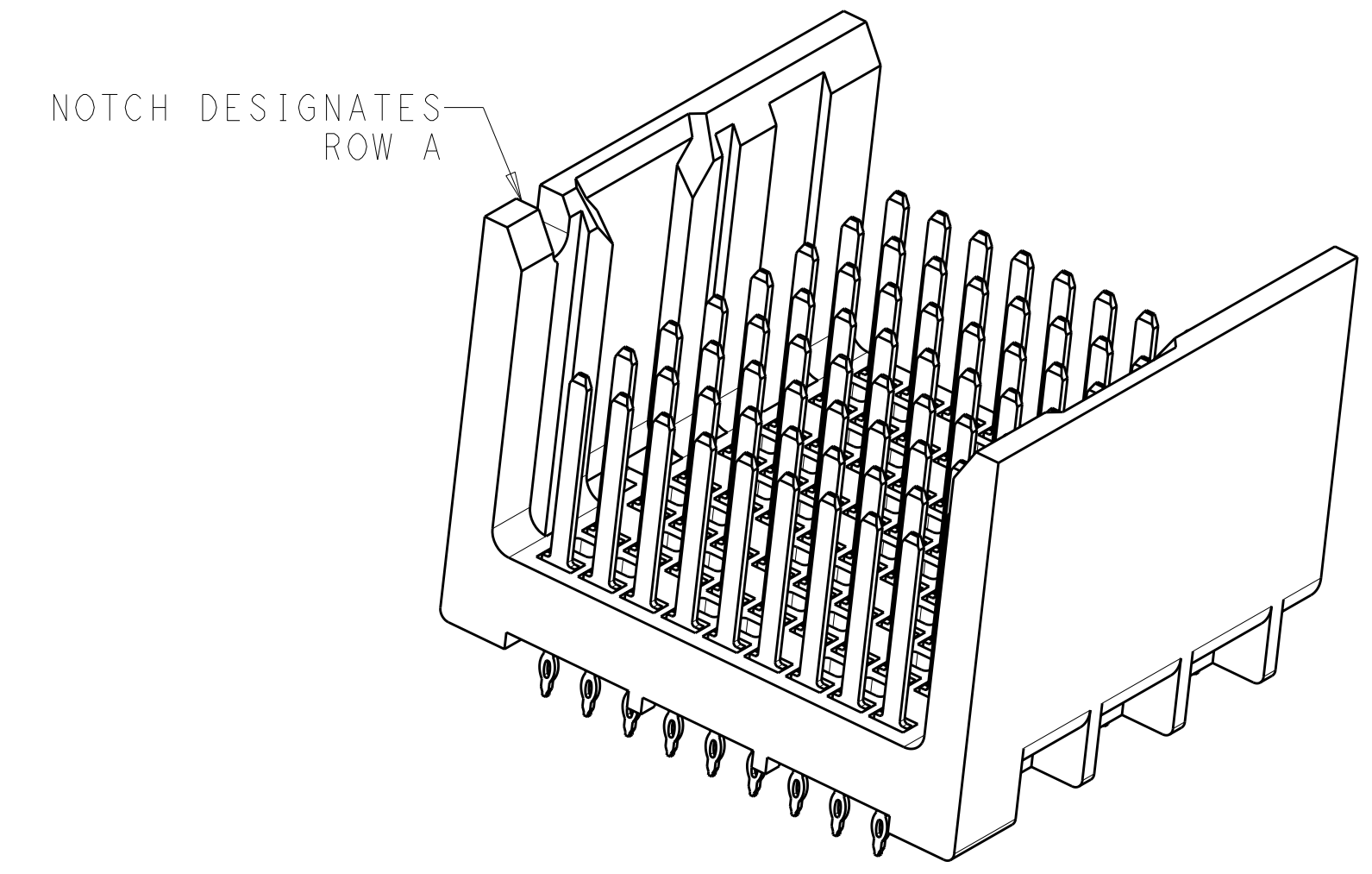
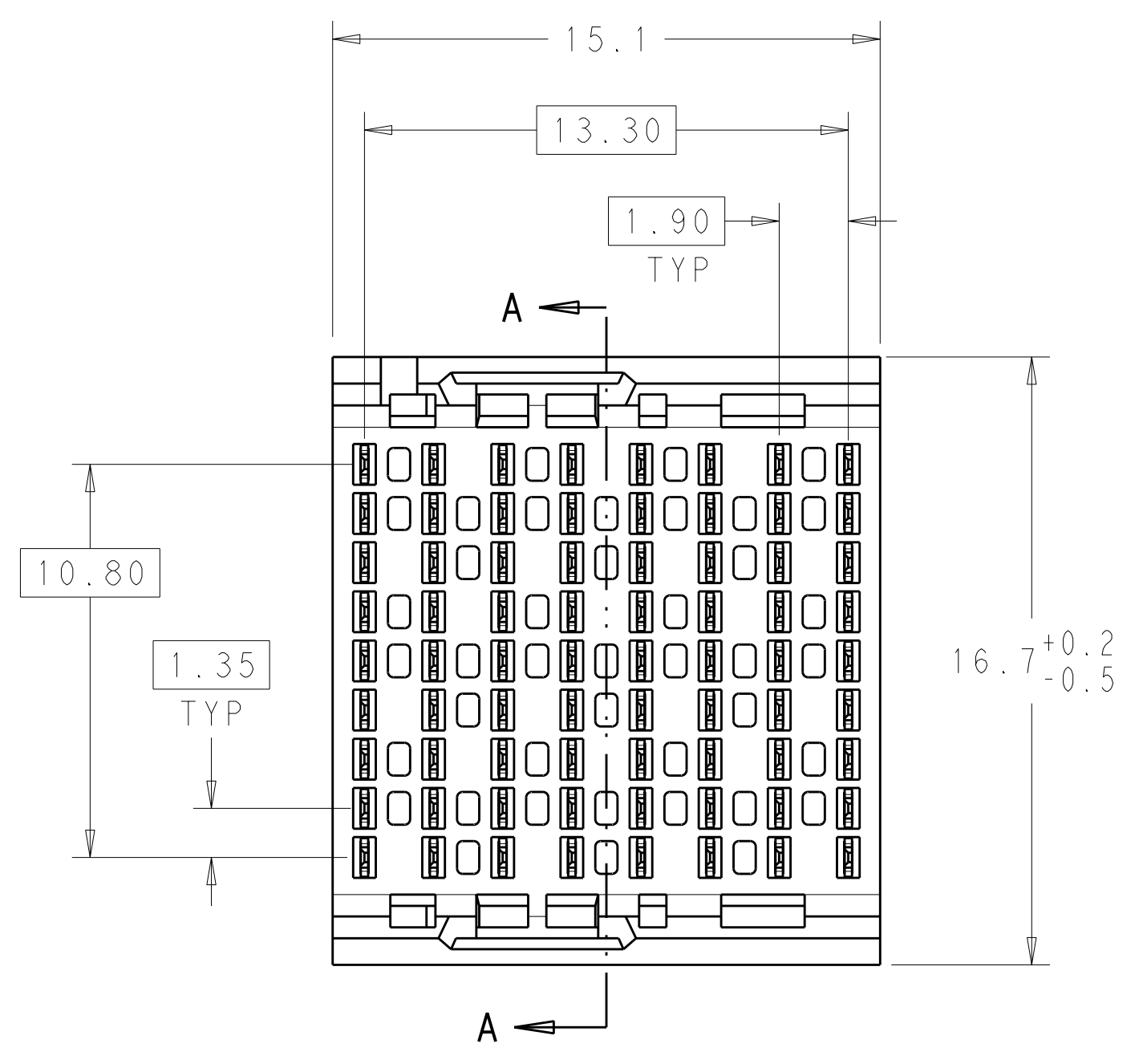
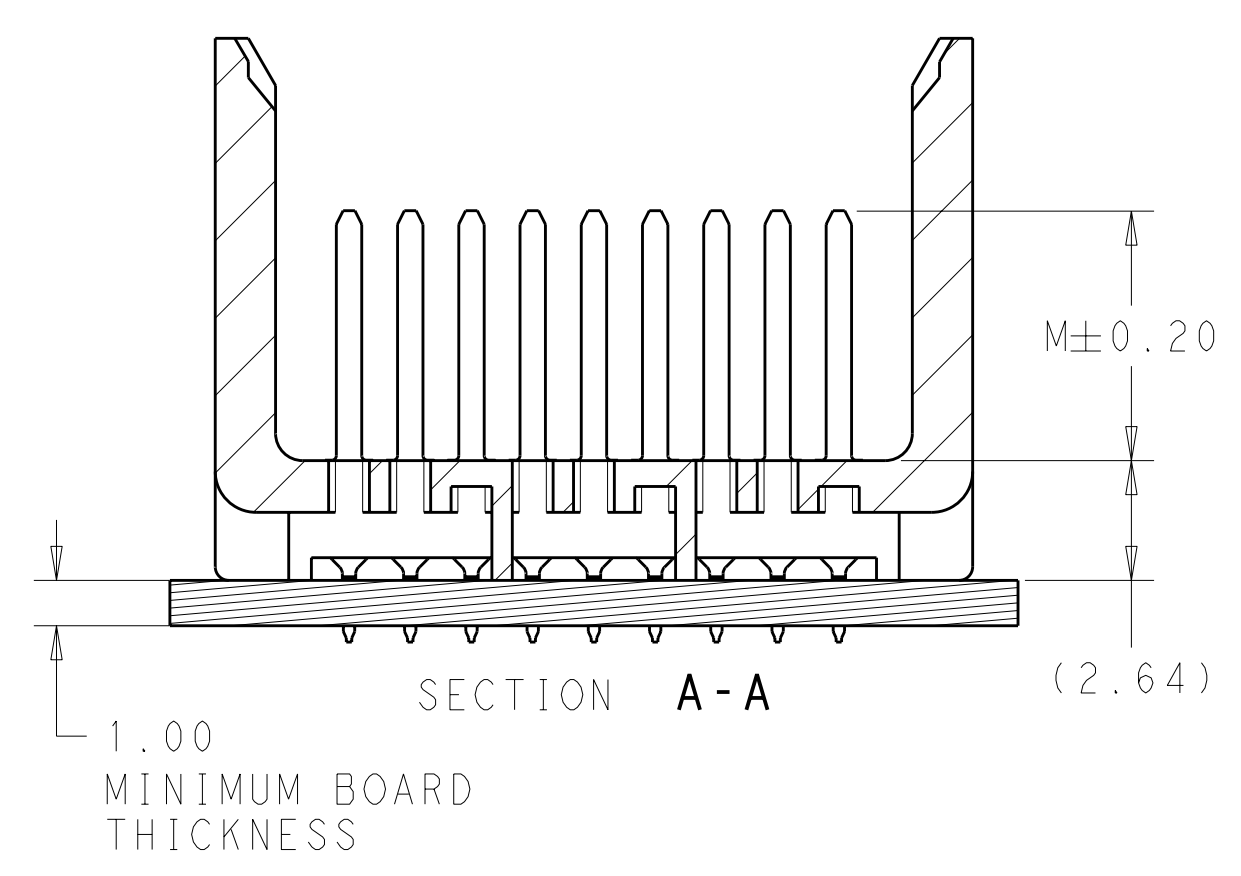
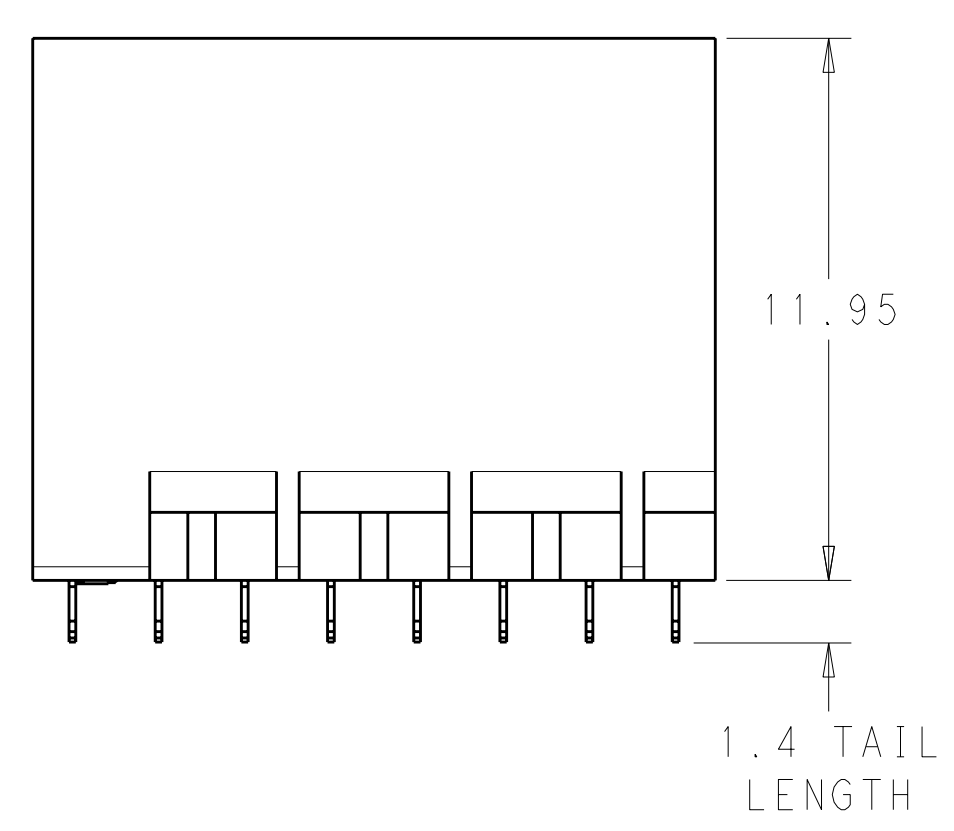
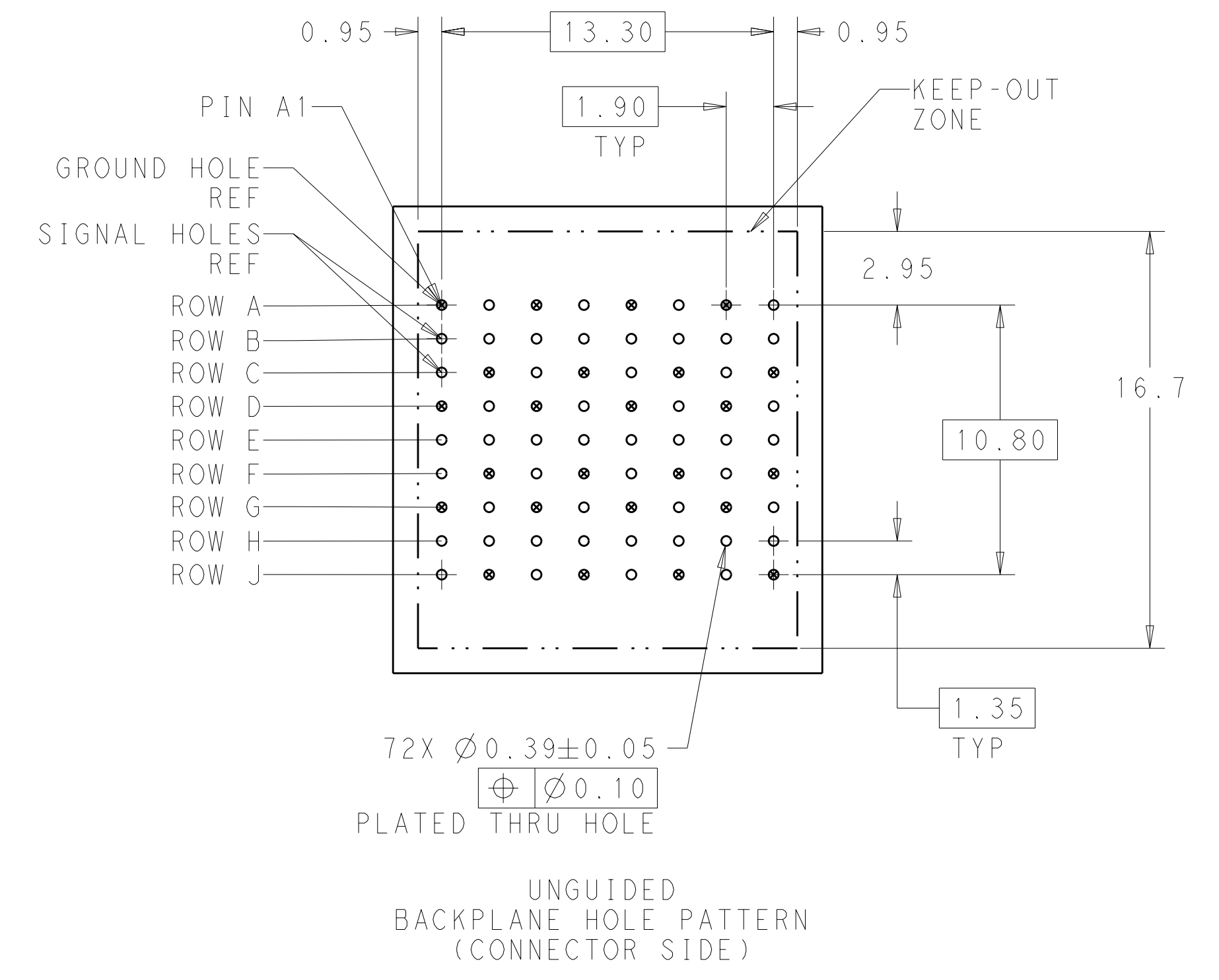


LOC	DIST	REV	DATE	BY	APPD
AD	00	C	06 JAN 2012	KH	DY
DESCRIPTION			REVISIONS		
REVISED PER ECO-11-025276					



- 1 MATERIAL:
HOUSING: LCP, GLASS FILLED, UL94V-0.
TERMINALS: HIGH PERFORMANCE COPPER ALLOY.
- 2 FINISH:
30µ" MIN GOLD IN CONTACT AREA. SELECTIVE TIN
ON PCB TAILS, NICKEL OVERALL.
- 3 FINISH:
30µ" MIN GOLD IN CONTACT AREA. SELECTIVE TIN-LEAD
ON PCB TAILS, NICKEL OVERALL.




THIS DRAWING IS A CONTROLLED DOCUMENT.		DWN	J. K. SHOBER	11 JAN 2011
DIMENSIONS:		CHK	J. EARY	11 JAN 2011
mm	TOLERANCES UNLESS OTHERWISE SPECIFIED:	APVD	J. EARY	11 JAN 2011
0 PLC	±	NAME		
1 PLC	±0.25	IMPACT, 3 PAIR, 8 COLUMN, HEADER		
2 PLC	±0.13	UNGUIDED, OPEN END WALL		
3 PLC	±	SIGNAL MODULE, 0.39 PTH		
4 PLC	±	SIZE CAGE CODE DRAWING NO RESTRICTED TO		
ANGLES	±	A1100779C=2057764		
MATERIAL	FINISH	WEIGHT	SCALE 6:1 SHEET 1 OF 2 REV C	
SEE TABLE	SEE TABLE	CUSTOMER DRAWING		

THIS DRAWING IS UNPUBLISHED. RELEASED FOR PUBLICATION 20
 © COPYRIGHT 20 . . . ALL RIGHTS RESERVED.

LOC	DIST	REVISIONS					
AD	00	P	LTB	DESCRIPTION	DATE	DWN	APVD
		-	-	SEE SHEET 1	-	-	-

FINISH	DIM M	PART NUMBER
\triangle_3	5.5	2057764-6
\triangle_3	4.9	2057764-5
\triangle_3	4.5	2057764-4
\triangle_2	5.5	2057764-3
\triangle_2	4.9	2057764-2
\triangle_2	4.5	2057764-1

REFER TO WWW.TE.COM
FOR PRODUCT AVAILABILITY

THIS DRAWING IS A CONTROLLED DOCUMENT.		DWN J. K. SHOBER 11JAN2011	 TE Connectivity
DIMENSIONS: mm		CHK J. EABY 11JAN2011	
TOLERANCES UNLESS OTHERWISE SPECIFIED: 9 PLC ± 7 PLC ±0.25 5 PLC ±0.13 4 PLC ± ANGLES ± FINISH SEE TABLE		APVD J. EABY 11JAN2011	NAME IMPACT, 3 PAIR, 8 COLUMN, HEADER UNGUIDED, OPEN END WALL SIGNAL MODULE, 0.39 PTH
MATERIAL -	SEE TABLE	PRODUCT SPEC -	APPLICATION SPEC -
CUSTOMER DRAWING		WEIGHT -	RESTRICTED TO -
SCALE 5:1		SHEET 2 OF 2	REV C