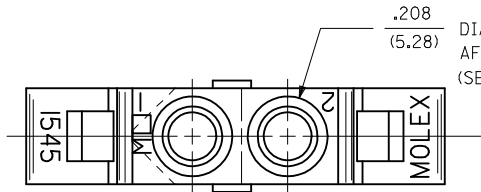
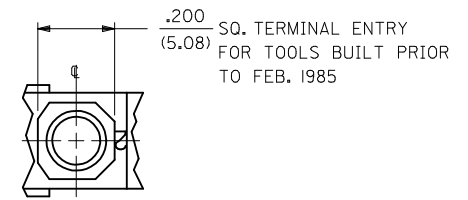


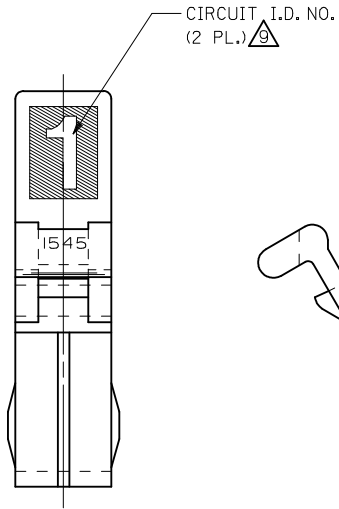
MATERIAL B TO V2 EC NO: UCP2017-0422 DRWN:KIPPER 2016/08/19 CHKD:JBELL 2016/08/19 APPR:FSMITH 2016/08/23 REV: W	QUALITY SYMBOLS 	GENERAL TOLERANCES (UNLESS SPECIFIED) <table border="1"> <thead> <tr> <th></th> <th>mm</th> <th>INCH</th> </tr> </thead> <tbody> <tr> <td>4 PLACES</td> <td>± .01</td> <td>± .0005</td> </tr> <tr> <td>3 PLACES</td> <td>± .01</td> <td>± .0005</td> </tr> <tr> <td>2 PLACES</td> <td>± 0.25</td> <td>± .014</td> </tr> <tr> <td>1 PLACE</td> <td>± 0.35</td> <td>± .014</td> </tr> <tr> <td>0 PLACE</td> <td>± .01</td> <td>± .0005</td> </tr> </tbody> </table>		mm	INCH	4 PLACES	± .01	± .0005	3 PLACES	± .01	± .0005	2 PLACES	± 0.25	± .014	1 PLACE	± 0.35	± .014	0 PLACE	± .01	± .0005	DIMENSION STYLE IN/MM DRAWN BY: GEP DATE: 8/9/88 CHECKED BY: RW DATE: 8/9/88 APPROVED BY: FSMITH DATE: 2014/07/10	SCALE: 4:1 DESIGN UNITS: INCH THIRD ANGLE PROJECTION	TITLE: .093/(2.36) HOUSING, PLUG & RECEPTACLE, 2 CKT., .248/(6.30) CTR. molex DOCUMENT NO. SD-1545-* SHEET NO. 1 OF 3
		mm	INCH																				
	4 PLACES	± .01	± .0005																				
	3 PLACES	± .01	± .0005																				
2 PLACES	± 0.25	± .014																					
1 PLACE	± 0.35	± .014																					
0 PLACE	± .01	± .0005																					
DRAFT WHERE APPLICABLE MUST REMAIN WITHIN DIMENSIONS		ANGULAR ±1/2°	MATERIAL NO. SEE CHART	THIS DRAWING CONTAINS INFORMATION THAT IS PROPRIETARY TO MOLEX INCORPORATED AND SHOULD NOT BE USED WITHOUT WRITTEN PERMISSION																			



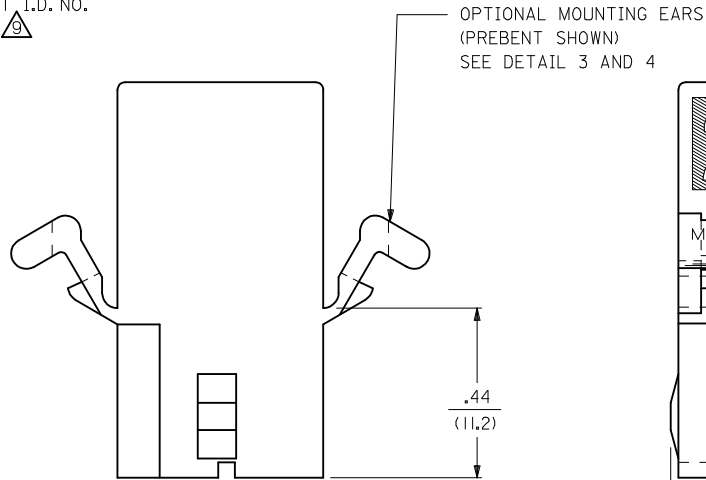
.208
(5.28)
DIA. TERMINAL ENTRY FOR TOOLS BUILT
AFTER FEB. 1985.
(SEE DETAIL 2 FOR OPTIONAL CONFIGURATION.)



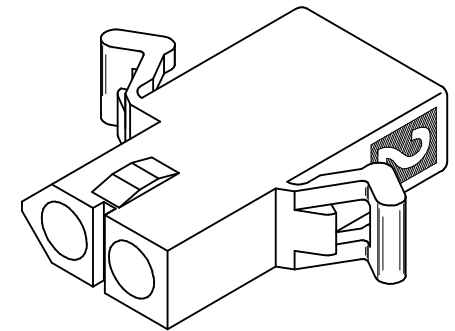
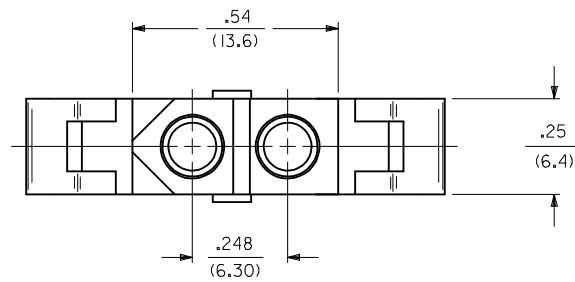
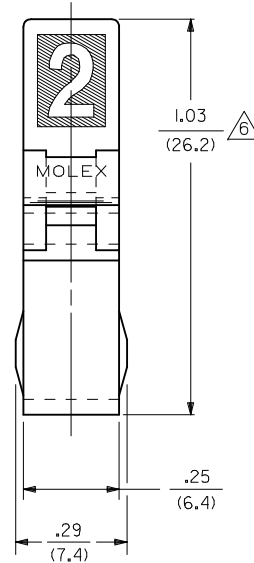
DETAIL "2"



CIRCUIT I.D. NO.
(2 PL.)



OPTIONAL MOUNTING EARS
(PREBENT SHOWN)
SEE DETAIL 3 AND 4



RECEPTACLE

SEE SHEET 1 EC NO: UCP2017-0422 DRW:MKIPPER 2016/08/19 CHKD:JBELL 2016/08/19 APPR:FSMITH 2016/08/23	QUALITY SYMBOLS ▽=0 ▽=0 ▽=0	GENERAL TOLERANCES (UNLESS SPECIFIED)		DIMENSION STYLE IN/MM		SCALE 4:1	DESIGN UNITS INCH	THIRD ANGLE PROJECTION	
			mm	INCH	DRAWN BY GEP	DATE 8/9/88	TITLE .093/(2.36) HOUSING, PLUG & RECEPTACLE, 2 CKT., .248/(6.30) CTR.		
		4 PLACES	± .005	± .005	CHECKED BY RW	DATE 8/9/88			
		3 PLACES	± .005	± .010	APPROVED BY FSMITH	DATE 2014/07/10			
		2 PLACES	± 0.25	± .014					
		1 PLACE	± 0.35	± .014					
		0 PLACE	± .005	± .005					
		ANGULAR ±1/2°		SEE CHART		DOCUMENT NO. SD-1545-*		SHEET NO. 2 OF 3	
		DRAFT WHERE APPLICABLE MUST REMAIN WITHIN DIMENSIONS		SIZE C		THIS DRAWING CONTAINS INFORMATION THAT IS PROPRIETARY TO MOLEX INCORPORATED AND SHOULD NOT BE USED WITHOUT WRITTEN PERMISSION			

PLUG	
PART NO.	ENG. NO.
03-09-2021	I545-P
03-09-2022	I545-P1
03-09-7021	I545-PBK
03-09-7022	I545-P1BK
03-09-2023	I545-P2
03-09-7024	I545-P1RD
03-09-7023	I545-P1BU
50-36-1686	I545-P1-1

RECEPTACLE	
PART NO.	ENG. NO.
03-09-6021	I545-R3BK
03-09-6023	I545-R3RD
03-09-6024	I545-R3BU
03-09-1022	I545-R1
03-09-1023	I545-R2
03-09-6025	I545-R1BU
03-09-1027	I545-R3
50-36-1685	I545-R1-1

LEGEND : PLUG

1545-P*****

OPTIONS: _____

BLANK = WITH STD. EARS
 1 = WITHOUT EARS
 2 = WITH PREBENT EARS

COLOR: BLANK=NATURAL COLOR _____

AM=AMBER BK=BLACK BU=BLUE
 BN=BROWN GY=GRAY GN=GREEN
 OR=ORANGE RD=RED YW=YELLOW

*APPLIES TO MATERIAL A ONLY
 MATERIAL B ONLY AVAILABLE IN BLACK

BLANK = MATERIAL CODE A _____
 1 = MATERIAL CODE B

LEGEND : RECEPTACLE

1545-R*****

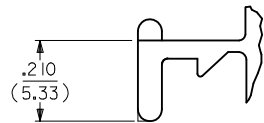
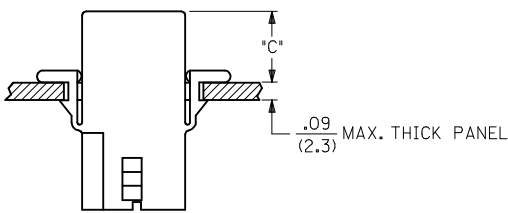
BLANK = WITH STD. EARS & RAMPS _____
 1 = WITHOUT EARS, WITH RAMPS
 2 = WITHOUT EARS, WITHOUT RAMPS
 3 = WITH PREBENT EARS & RAMPS

COLOR: BLANK=NATURAL COLOR _____

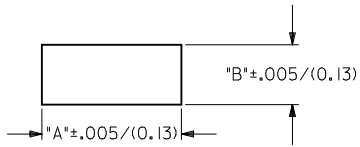
AM=AMBER BK=BLACK BU=BLUE
 BN=BROWN GY=GRAY GN=GREEN
 OR=ORANGE RD=RED YW=YELLOW

*APPLIES TO MATERIAL A ONLY
 MATERIAL B ONLY AVAILABLE IN BLACK

BLANK = MATERIAL CODE A _____
 1 = MATERIAL CODE B

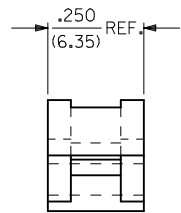


DETAIL 3
 .093/(2.36) STANDARD MOUNTING EAR



RECOMMENDED PANEL OPENING
 (SCALE 2:1)

HOUSING	DIM. "A"	DIM. "B"	DIM. "C" (PREBENT)	DIM. "C" (STD. EAR)
PLUG	.800/(20.32)	.375/(9.53)	.40/(10.2)	.39/(9.9)
RECEPTACLE	.725/(18.42)	.312/(7.92)	.41/(10.4)	.40/(10.2)



DETAIL 4
 .093/(2.36) PREBENT MOUNTING EAR

NOTES:

- MATERIAL: - A = NYLON, PA66, 94V-2. COLOR: SEE LEGEND.
 B = PA6 NYLON, UL94V-2, GLOW WIRE CAPABLE PER IEC 60335-1. COLOR: BLACK
- FINISH: NONE.
- PRODUCT SPECIFICATION: PS-02-09.
- PACKAGING INFORMATION: PK-1545-001
- .97/(24.6) REF. FOR TOOLS BUILT PRIOR TO FEB. 1985.
- 1.00/(25.4) REF. FOR TOOLS BUILT PRIOR TO FEB. 1985.
- RIBS ARE PRESENT ONLY ON PARTS WITH MOUNTING EARS.
- EACH TERMINAL POCKET WILL ACCEPT UP TO:
 (2) #18 AWG WIRES HAVING 1/32" THK. INSULATION OR
 (1) #16 AWG WIRE HAVING 1/16" THK. INSULATION OR
 (1) #16 AWG & (1) #18 AWG WIRE HAVING 1/32" THK. INSULATION .
- CIRCUIT I.D. NUMBERS ON SIDE OF HOUSING APPEAR ON PARTS FROM TOOLS BUILT AFTER 11/25/91.
- PARTS CONFORM TO CLASS 'B' REQUIREMENTS OF COSMETIC SPECIFICATION PS-45499-002 EXCEPT MATERIAL OPTION 'B' MEETS CLASS 'C' REQUIREMENTS FOR SINK AND DISCOLORATION.

SEE SHEET 1 EC NO: UCP2017-0422 DRW:MK/PPR 2016/08/19 CHKD:JBELL 2016/08/19 APPR:FSM/TH 2016/08/23	QUALITY SYMBOLS ▽=0 ▽=0 ▽=0	GENERAL TOLERANCES (UNLESS SPECIFIED)		DIMENSION STYLE IN/MM		SCALE 4:1	DESIGN UNITS INCH	THIRD ANGLE PROJECTION
		4 PLACES ± --- ± ---	DRAWN BY GEP	DATE 8/9/88	TITLE .093/(2.36) HOUSING, PLUG & RECEPTACLE, 2 CKT., .248/(6.30) CTR.			
		3 PLACES ± --- ± .010	CHECKED BY RW	DATE 8/9/88	molex			
		2 PLACES ± 0.25 ± .014	APPROVED BY FSM/TH	DATE 2014/07/10	MATERIAL NO. SEE CHART	DOCUMENT NO. SD-1545-*	SHEET NO. 3 OF 3	
DRAFT WHERE APPLICABLE MUST REMAIN WITHIN DIMENSIONS		ANGULAR ±1/2°		THIS DRAWING CONTAINS INFORMATION THAT IS PROPRIETARY TO MOLEX INCORPORATED AND SHOULD NOT BE USED WITHOUT WRITTEN PERMISSION				