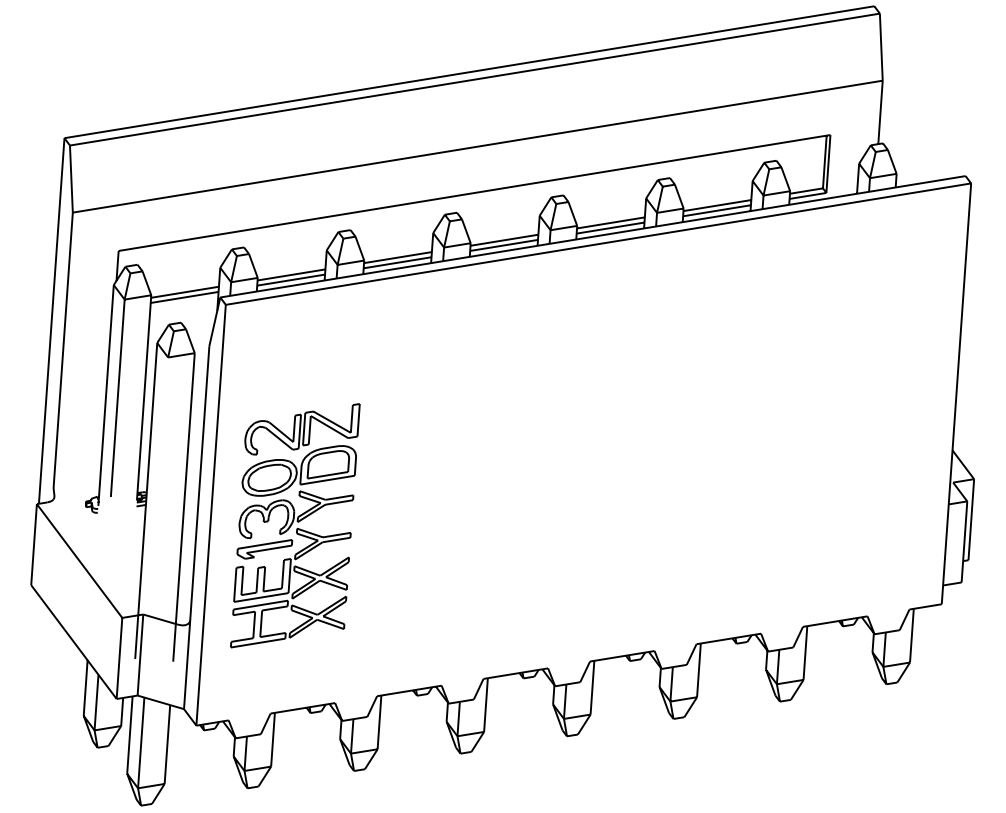
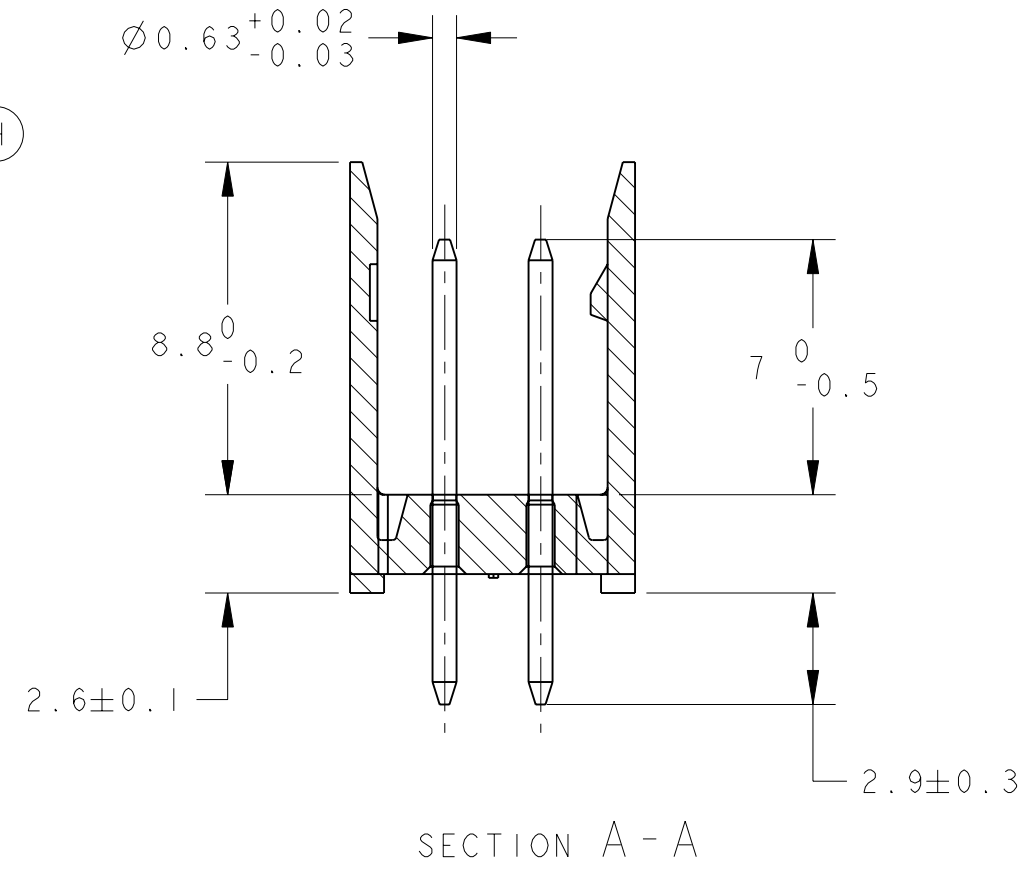
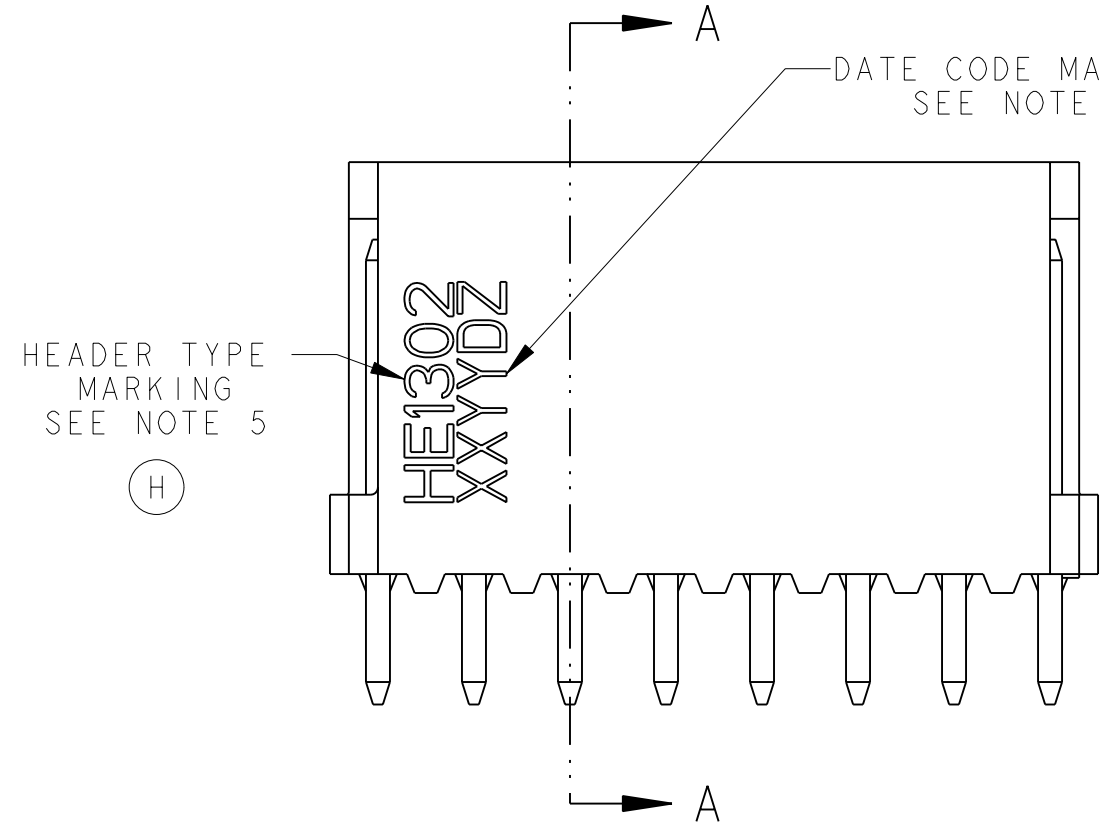
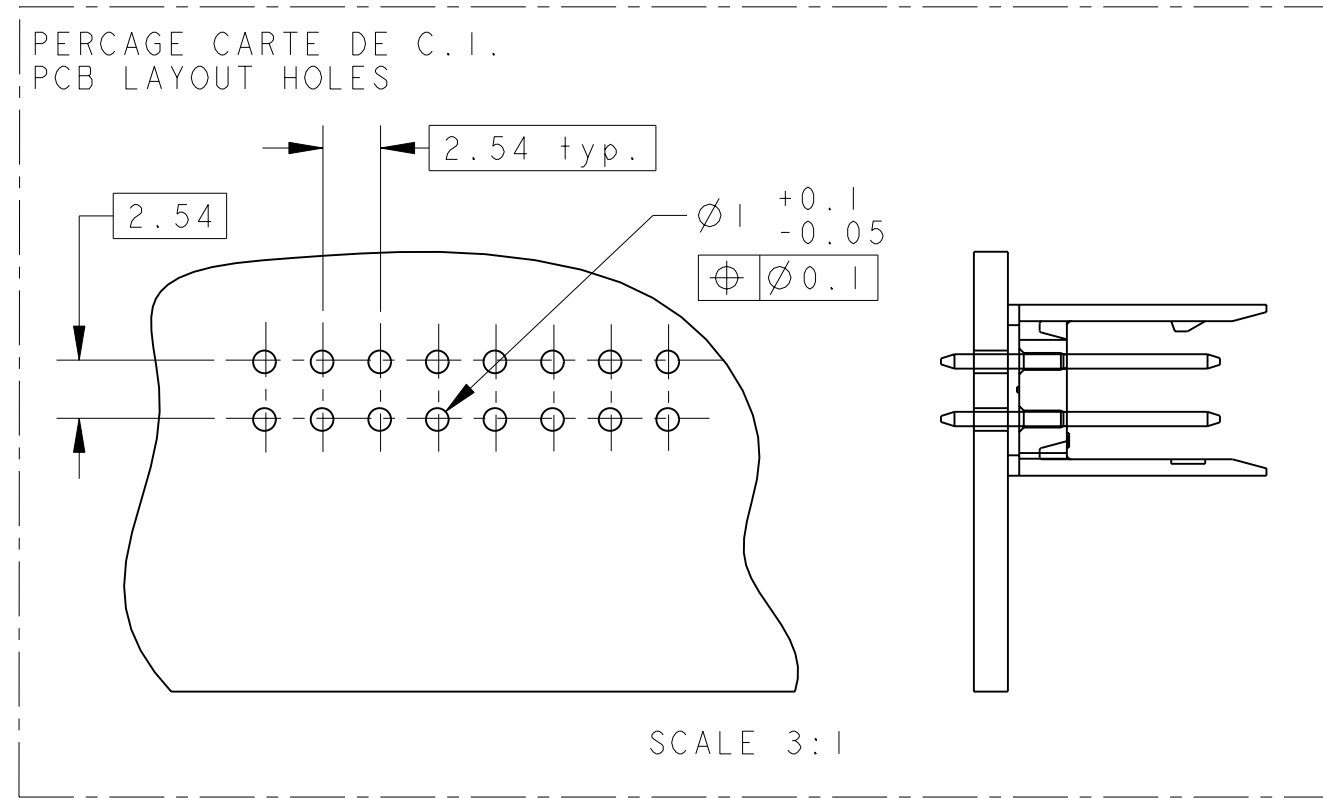
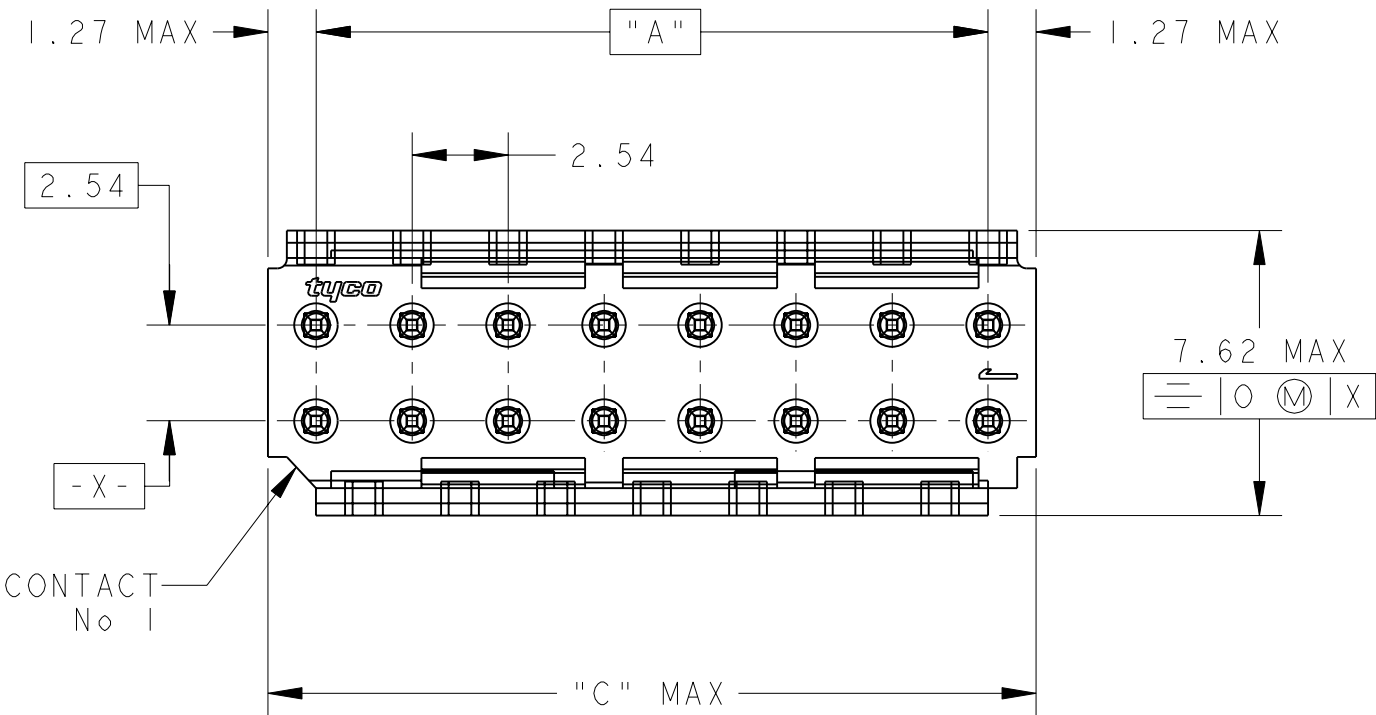


THIS DRAWING IS UNPUBLISHED. / RELEASED FOR PUBLICATION / LIBRE A LA DIFFUSION / 20  
 © COPYRIGHT 20 / BY TYCO ELECTRONICS CORPORATION. ALL RIGHTS RESERVED. / TOUS DROITS RESERVES

REVISIONS					
P	LTR	DESCRIPTION MODIFICATIONS	DATE	DWN DESS.	APVD APP.
E		MODIFIE NOTE 3	12MAR2004	J.D	Y.P
F		CLARIF. TABLE	02APR2004	TC	YP
G		MATERIAL	09MAY2006	J.D	Y.P
H		NOTES 5, 6 ADDED	19DEC2008	GM	PEG



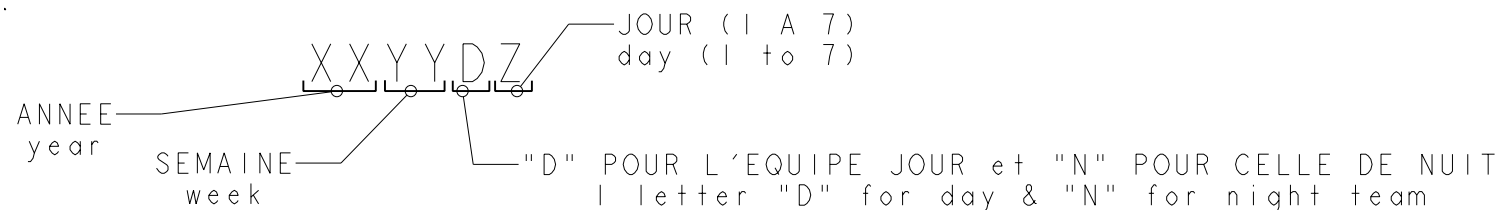
SCALE 6:1



SCALE 3:1

NOTES:

- CES EMBASES SONT PREVUES POUR ETRE ACCOUPLEES AVEC LES FICHES "HE1402" DOUBLE RANGEE. (These headers are designed to be mated with "HE1402" connectors double row)
- LES REFERENCES SUIVIES D'UN \* SONT LES VERSIONS NORMALISEES SELON LA NORME CEI 603-8 (The parts numbers followed by \* are covered by the international standard IEC 603-8)
- REVETEMENT DES CONTACTS: ETAIN PUR SUR NICKEL (Contacts plating: lead free tin over nickel)
- MATIERE PLASTIQUE: THERMO-PLASTIQUE HAUTE TEMPERATURE, UL-94V0, COULEUR BLEUE (Plastic material: High temperature thermoplastic, UL-94V0, Blue color)  
MATIERE DES CONTACTS: BRONZE PHOSPHOREUX (Contacts material: phosphor bronze)
- MARQUAGE DU TYPE D'EMBASE (HE1402) A L'ENCRE NOIRE (header type marking (HE1402) with black ink)
- MARQUAGE DE LA DATE A L'ENCRE NOIRE : (date code marking with black ink) :



50.80	48.26	2x 20	2-281740-0
45.72	43.18	2x 18	1-281740-8 *
43.18	40.64	2x 17	1-281740-7
38.10	35.56	2x 15	1-281740-5 *
33.02	30.48	2x 13	1-281740-3
30.48	27.94	2x 12	1-281740-2 *
25.40	22.86	2x 10	1-281740-0 *
20.32	17.78	2x 8	0-281740-8 *
15.24	12.70	2x 6	0-281740-6 *
12.70	10.16	2x 5	0-281740-5 *
10.16	7.62	2x 4	0-281740-4 *
7.62	5.08	2x 3	0-281740-3 *
5.08	2.54	2x 2	0-281740-2
C	A	Nb DE POS	PART NUMBER
DIMENSIONS			

THIS DRAWING IS A CONTROLLED DOCUMENT FOR TYCO ELECTRONICS CORPORATION IT IS SUBJECT TO CHANGE AND THE CONTROLLING ENGINEERING ORGANIZATION SHOULD BE CONTACTED FOR THE LATEST REVISION. CE PLAN EST UN DOCUMENT CONTROLE PAR AMP INCORPORATED. IL EST SUSCEPTIBLE D'ETRE REVISE. CONTACTER LE SERVICE TECHNIQUE D'AMP DE FRANCE POUR OBTENIR LA DERNIERE REVISION.		DWN/DESSINE C. COMBEDOUZON 22NOV2000	AMP DE FRANCE 95301 PONTOISE	
DIMENSIONS: mm		CHK/VERIFIE T. CORRIOLU 22NOV2000	NAME TITRE	
TOLERANCES UNLESS OTHERWISE SPECIFIED: (SUIV NB DE DECIMALES) 0 PLC/DEC: ± 1 PLC/DEC: ±0.3 2 PLC/DEC: ± 3 PLC/DEC: ± 4 PLC/DEC: ± ANGLES ±5°		APVD/APROUVE Y. PETRONIN 22NOV2000	SPEC. PRODUCT 108-15053	
MATERIAL/MATIERE		FINISH/FINITION	APPLICATION SPEC SPEC. APPLICATION	SIZE FORMAT A2
		WEIGHT MASSE APPROX. -	CAGE CODE 00779	DRAWING NO No PLAN C-281740
CUSTOMER DRAWING /PLAN CLIENT		UNIQUEMENT POUR REFERENCE	SCALE Echelle 5:1	SHEET OF FEUILLE DE 1
		RESTRICTED TO RESERVE A	REV H	