

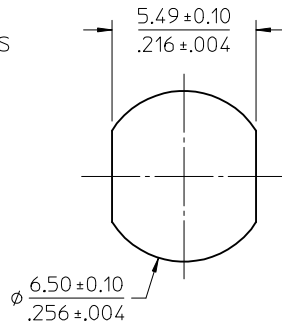
MATERIALS AND FINISHES

BODY, JAM NUT, FLAT WASHER: BRASS
PLATED: GOLD

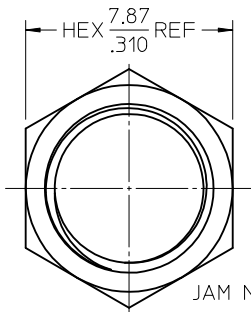
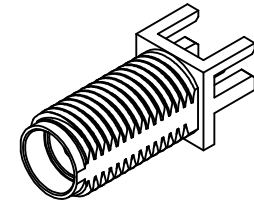
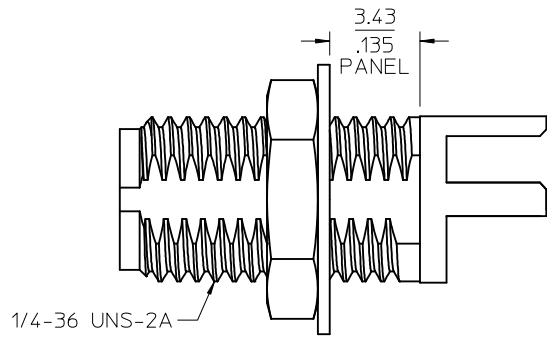
CENTER CONTACT: BeCu
PLATED: GOLD

INSULATOR: TEFLON

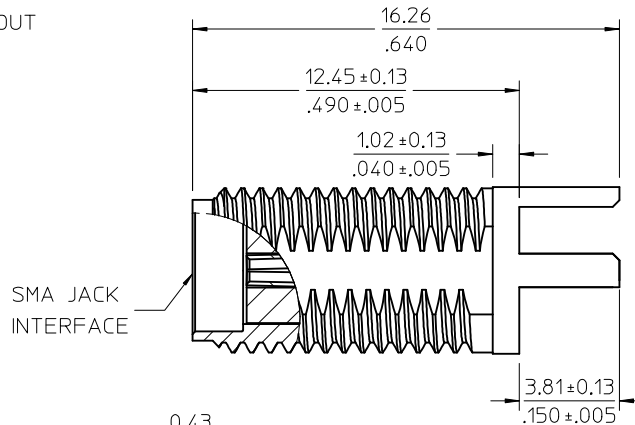
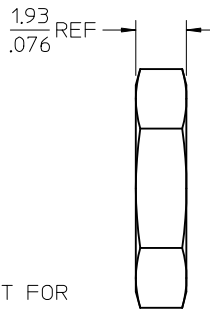
LOCKWASHER: PHOSPHOR BRONZE
PLATED: GOLD



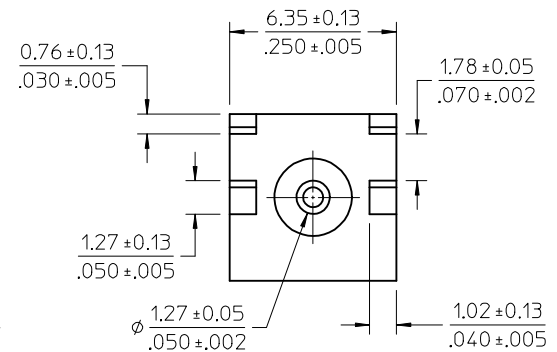
RECOMMENDED PANEL CUTOUT



JAM NUT FOR
73251-2121 & -2122

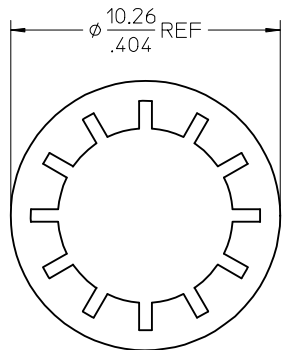
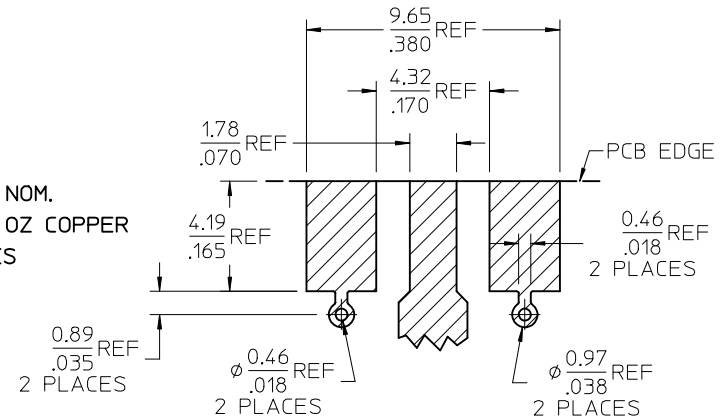


SMA JACK
INTERFACE

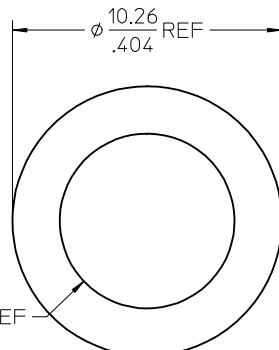
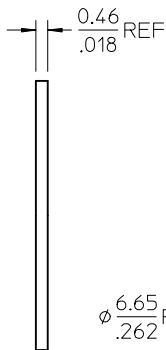


RECOMMENDED PAD LAYOUT

BASE WIDTH: 6.35(.250) NOM.
BOARD THICKNESS: 1.57(.062) NOM.
BOARD MATERIAL: FR4 W/1.0 OZ COPPER
BOTH SIDES



LOCK WASHER FOR
73251-2121 ONLY



FLAT WASHER FOR
73251-2122 ONLY

73251-2123	ONE PIECE -2120 WITHOUT HARDWARE PER BAG
73251-2122	-2120 W/JAM NUT & FLAT WASHER / TRAY PACKING
73251-2121	-2120 W/JAM NUT & LOCK WASHER / TRAY PACKING
73251-2120	-2120 WITHOUT HARDWARE / TRAY PACKING
PART NO.	DESCRIPTION
PS-89675-3460	PRODUCT SPECIFICATION
MIL-STD-348A, FIG. 310.2	INTERFACE
SPECIFICATION	DESCRIPTION

CHG: REGENERATED DWG & ADDED TOLERANCE PER RF13-E072	DATE: 2012/12/12
EC NO: URF2013-0355	
DRW:RYEH	CHKD: A5
APPR:MHUANG	
DESCRIPTION	
QUALITY SYMBOLS	

GENERAL TOLERANCES (UNLESS SPECIFIED)	
4 PLACES	± .005
3 PLACES	± .004
2 PLACES	± .003
1 PLACE	± .002
0 PLACE	± .001
ANGULAR ± 2 °	
DRAFT WHERE APPLICABLE MUST REMAIN WITHIN DIMENSIONS	

DIMENSION STYLE	
MM/IN	
DRAWN BY	DATE
SSS	2003/07/09
CHECKED BY	DATE
TEF	2003/07/09
APPROVED BY	DATE
JWIENER	2010/10/27
MATERIAL NO.	
SEE TABLE	
SIZE	C

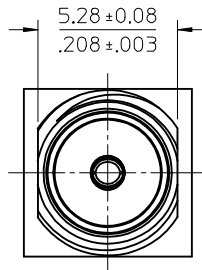
SCALE	7:1
DESIGN UNITS	METRIC
THIRD ANGLE PROJECTION	
SMA JACK, EDGE MOUNT	
.062 BOARD, 50 OHMS,	
EWR-2074 SMA-J/PCB	
molex	
DOCUMENT NO.	SD-73251-212
SHEET NO.	1 OF 1
THIS DRAWING CONTAINS INFORMATION THAT IS PROPRIETARY TO MOLEX INCORPORATED AND SHOULD NOT BE USED WITHOUT WRITTEN PERMISSION	

MATERIALS AND FINISHES

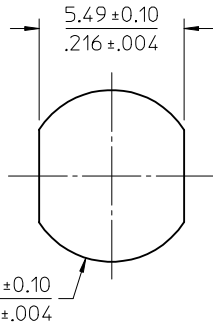
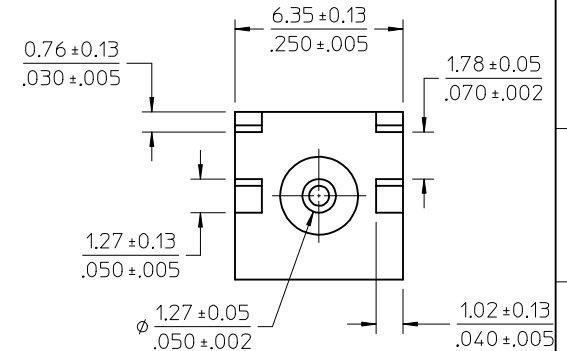
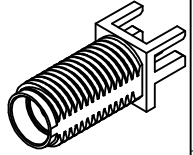
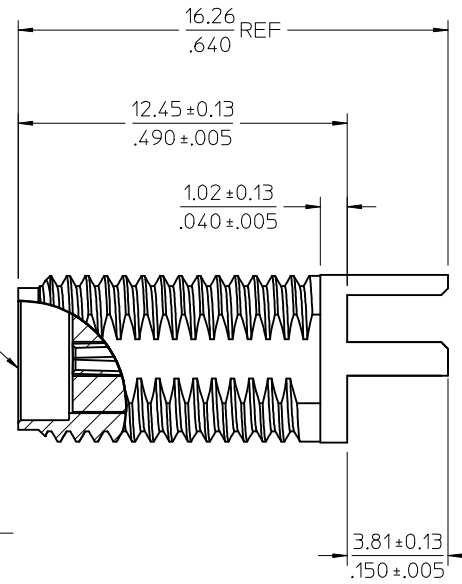
BODY: BRASS
 PLATED: NICKEL

CENTER CONTACT: BERYLLIUM COPPER
 PLATED: GOLD

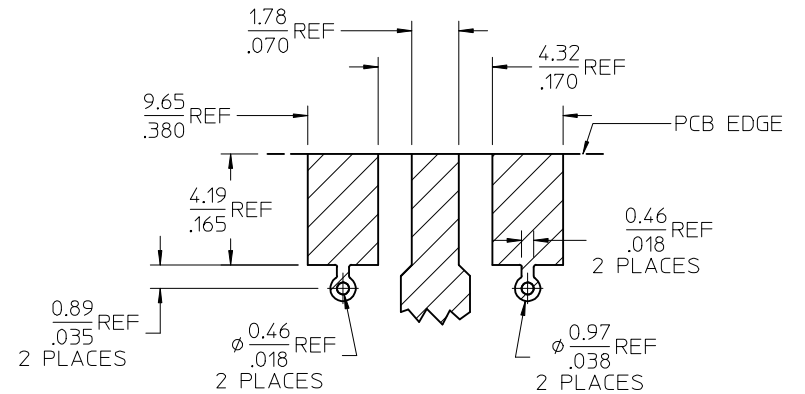
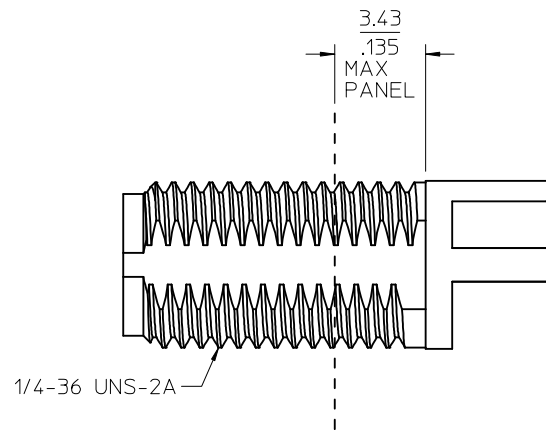
INSULATOR: PTFE



SMA JACK
 INTERFACE



RECOMMENDED PANEL CUTOUT



RECOMMENDED PAD LAYOUT:
 BASE WIDTH: 6.35(.250) NOM.
 BOARD THICKNESS: 1.57(.062) NOM.
 BOARD MATERIAL: FR4 W/1.0 OZ COPPER
 BOTH SIDES

PART # 73251-9340

PS-89675-3460	PRODUCT SPECIFICATION
MIL-STD-348A, FIG. 310.2	INTERFACE
SPECIFICATION	DESCRIPTION

CHG: NEW RELEASE EC NO: URF2014-0585 DRWN: JLEE02 2014/04/14 CHKD: SSS 2014/04/14 APPR: WSPINK	QUALITY SYMBOLS ∇=0 ∇=0 ∇=0	GENERAL TOLERANCES (UNLESS SPECIFIED)		DIMENSION STYLE	SCALE	DESIGN UNITS	THIRD ANGLE PROJECTION	
				MM/IN		INCH		
		4 PLACES	±	---	+	---	DRAWN BY: AROBERTSON DATE: 2014/04/08	
		3 PLACES	±	---	±	---	CHECKED BY: DATE: 2014/04/08 SSS	
2 PLACES	±	---	±	---	APPROVED BY: WSPINK DATE: 2014/04/14			
1 PLACE	±	---	±	---	MATERIAL NO. SEE TABLE			
0 PLACE	±	---	±	---	DOCUMENT NO. SD-73251-934			
ANGULAR ± 2 °		DRAFT WHERE APPLICABLE MUST REMAIN WITHIN DIMENSIONS		SIZE C	THIS DRAWING CONTAINS INFORMATION THAT IS PROPRIETARY TO MOLEX. INCORPORATED AND SHOULD NOT BE USED WITHOUT WRITTEN PERMISSION			