

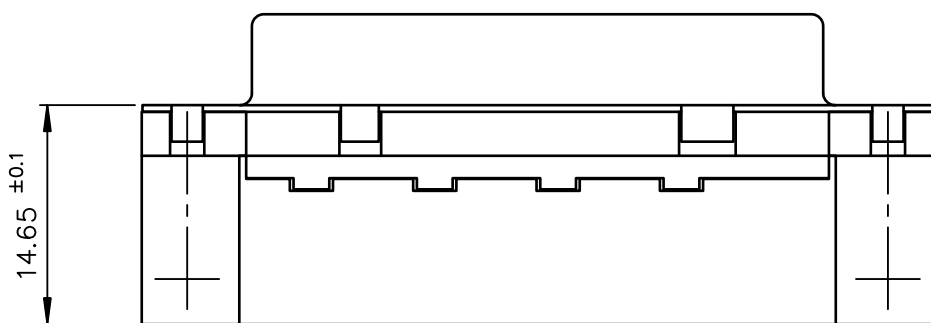
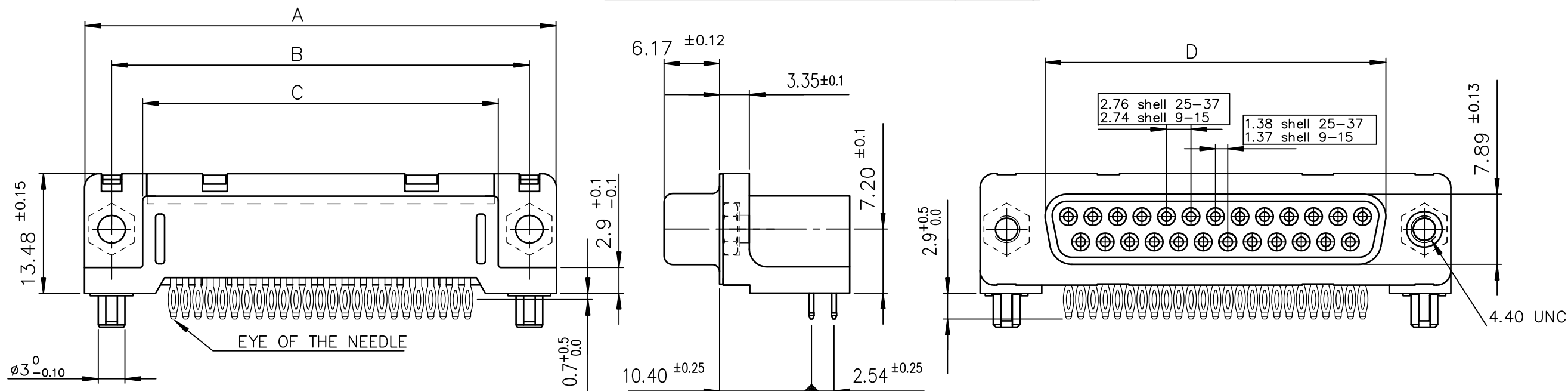


FCIconnect.com

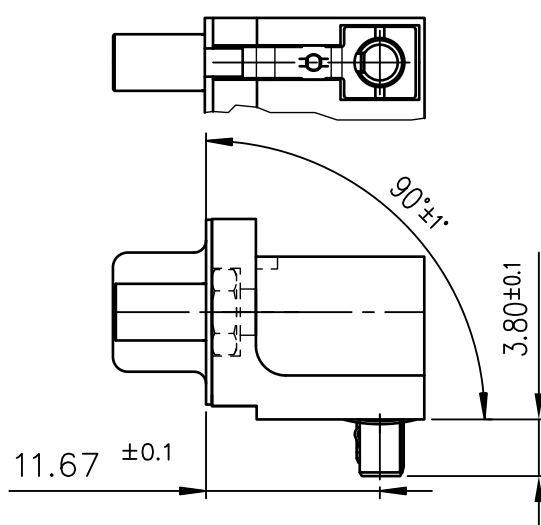
Copyright FCI

form: A3

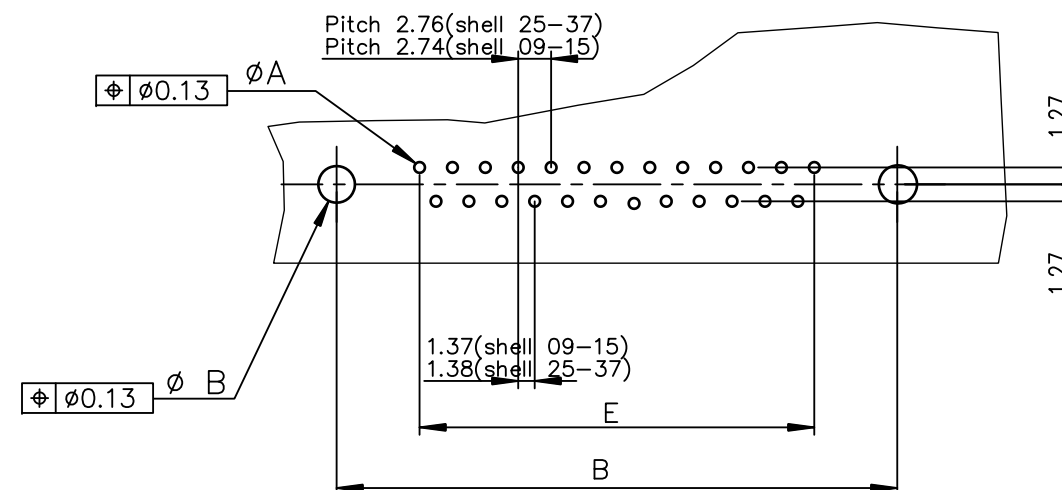
view shown without plastic pin and grounding



Detail of grounding strip



PC card drilling dimensions(after plating)
(thickness 1.60 ±0.20)



TIN LEAD PART NUMBER

SHELL	A±0.38	B±0.12	C±0.10	D±0.25	E±0.07	PART NUMBER	PART NUMBER
09	30.81	24.99	18.00	16.21	10.96	D09S81C6GX8C	D09S81C7GX8C
15	39.14	33.32	26.32	24.54	19.18	D15S81C6GX8C	D15S81C7GX8C
25	53.03	47.04	40.04	38.25	33.12	--	--
37	69.32	63.50	56.50	54.71	49.68	--	--

LEAD FREE PART NUMBER

SHELL	A±0.38	B±0.12	C±0.10	D±0.25	E±0.07	PART NUMBER	PART NUMBER
09	30.81	24.99	18.00	16.21	10.96	D09S81C6GX8CLF	D09S81C7GX8CLF
15	39.14	33.32	26.32	24.54	19.18	D15S81C6GX8CLF	D15S81C7GX8CLF
25	53.03	47.04	40.04	38.25	33.12	--	--
37	69.32	63.50	56.50	54.71	49.68	--	--

GENERAL CHARACTERISTICS AND ROHS INFORMATIONS:

SEE DRAWING C01-8646-0001

mat'l. code		surface ISO 1302		tolerance ISO 406 ISO 1101		projection		product family	
-		✓		ISO 406 ISO 1101		MM		D-SUB	
ltr		ecn no		dr		date		title	
F		ELX-I-18050		MP		2014/06/23		FEMALE CONNECTOR DELTA-D EUROPE RIGHT ANGLED PRESS FIT	
angles		linear		tolerances unless otherwise specified		scale 2:1		dwg no	
0°±2°								sheet 1 of 1	
dr		engr		chr		appd		size	
Joubert		MITHUN PAUL		ALIAS BABU		BIJU K PAUL		A3	
1999/05/18		2014/06/23		2014/06/23		2014/06/23		type	
								Product Customer Drawing	
sheet index		revision sheet		F		1			