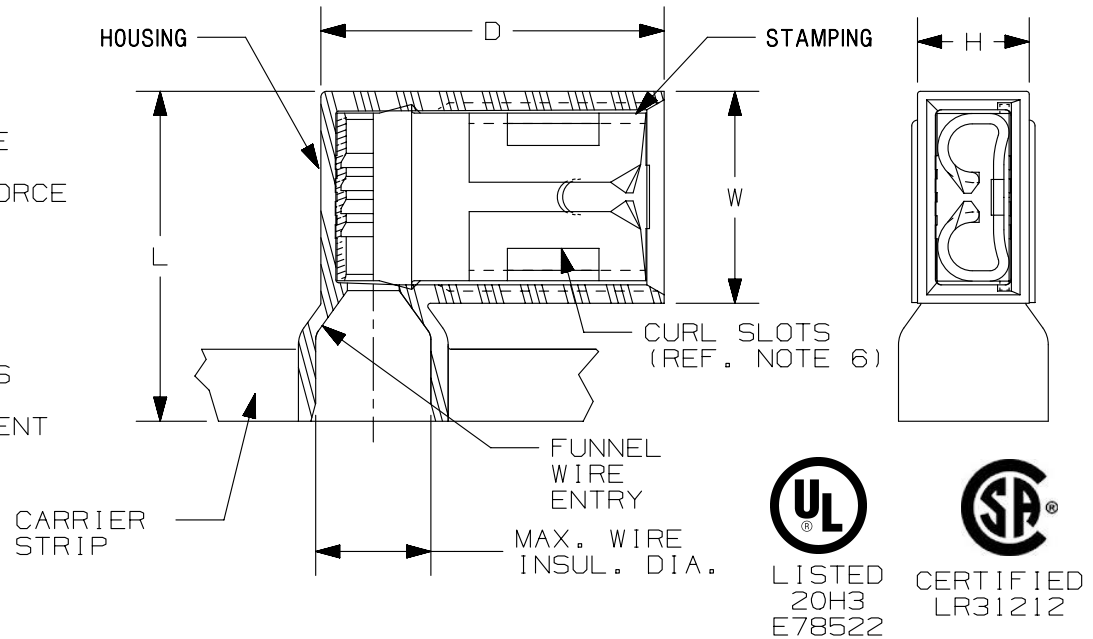


THIS COPY IS PROVIDED ON A RESTRICTED BASIS AND IS NOT TO BE USED IN ANY WAY DETRIMENTAL TO THE INTERESTS OF PANDUIT CORP.

PANDUIT PART #	TAB SIZE		WIRE RANGE		COLOR	DIMENSIONS in. [mm]					TOOL CHART	
	ENGLISH in.	METRIC mm	ENGLISH AWG	METRIC mm ²		MAX. WIRE INSUL. DIA.	L ± .03 [0,8]	W ± .01 [0,3]	H ± .01 [0,3]	D ± .01 [0,3]	PRESSES: CP-861, CP-862, CP-871	APPLICATOR DIES: CA9, CA-800EZ
DNFR18250FIB	.250 X .032	6,3 X 0,8	22-18	0,5-1,0	RED	.18 [4,6]	.57 [14,5]	.37 [9,4]	.21 [5,3]	.60 [15,2]	CD-800-9 CD9-9C	
DNFR18205FIB	.205/.187 X .032	5,2/4,8 X 0,8										
DNFR18206FIB	.205/.187 X .020	5,2/4,8 X 0,5										
DNFR14250FIB	.250 X .032	6,3 X 0,8	16-14	1,5-2,5	BLUE							
DNFR14205FIB	.205/.187 X .032	5,2/4,8 X 0,8										
DNFR14206FIB	.205/.187 X .020	5,2/4,8 X 0,5										

NOTES:

- USED FOR:
 - A. STRANDED COPPER WIRE ONLY
 - B. 221°F [105°C] MAX. OPERATING TEMPERATURE
 - C. 600V. MAX. BLDG WIRE
 - D. 6-12 LBS INTIAL INSERTION/WITHDRAWAL FORCE
- WIRE STRIP LENGTH:
 - 11/32 ^{+1/32}/₀ [8,7 ^{+0,8}/₀]
- MATERIAL:
 - A. STAMPING: CDA 260 BRASS, TIN PLATED
 - B. HOUSING: TYPE 6/6 NYLON
- SEE www.panduit.com FOR PACKAGE QUANTITIES INDICATED BY PART NUMBER SUFFIX
- DIMENSIONS IN BRACKETS ARE METRIC EQUIVALENT
- CURL SLOTS: DNFR18205FIB, DNFR18206FIB, DNFR14205FIB, DNFR14206FIB ONLY.



10	10.10.12	JBN	LCA	VMB	ADDED METRIC EQUIVALENT. CHANGE PACKAGING NOTE. ADDED TOOLS CHART. UPDATED DRAWING TO CURRENT STANDARDS.		A41124		

TITLE FEMALE DISCONNECTS, NYLON FULLY INSULATED - RIGHT ANGLE CUSTOMER DRAWING												
ITEM REVISION NAME N41124BA/10					PANDUIT							
DATASET FILE NAME N41124BA_DC/10A												
UNLESS OTHERWISE SPECIFIED, DIMENSIONAL TOLERANCES ARE: IN [mm] .x ± .1 [2.54] .xxx ± .005 [.127] .xx ± .01 [.25] ANGLES ± 5°												
DRAWING NUMBER: A41124												
REV	DATE	BY	CHK	APR	DESCRIPTION	ECN	DRAWN BY MG	DATE -	CHK -	SCALE N.T.S.	SHT 1 OF 1	SIZE A

D10100DA/15