


SIGN	DATE	DESCRIPTION	APPROVER
△	2009.01.21	CUL approval added	Lee
△	2009.01.21	Torque changed from 1.7 to 1.1Lb-In	Lee

Material

- Terminal body (Contact pin): Brass(Cuzn)
- Terminal screw: Steel Zinc plating:“-“slot type
- Wire guard: Copper Alloy
- Insulator (housing): Thermoplastic (UL94V-0)

Electrical

- Voltage rating: 150VAC
- Current rating: 10A
- Wire range:
 - Solid wire(AWG): 16-28
 - Stranded wire(AWG):16-28
- △ ● Torque(Lb-In): 1.1
- Screw: M2
- Wire strip length: 5-6mm
- Withstanding Voltage: 1.3KV
- Operating temperature: -30°C to +105°C
- △ ● Safety Approval: 

RoHS Compliant

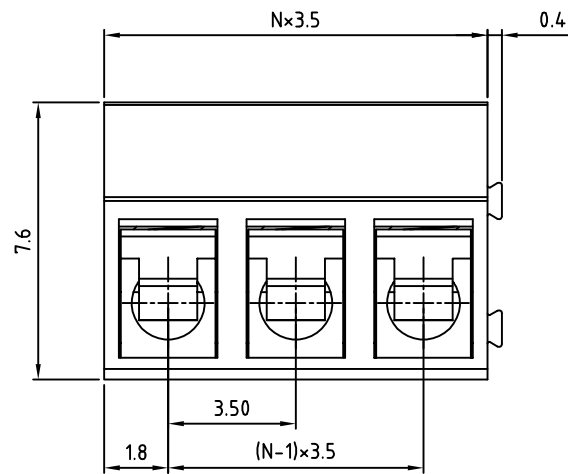
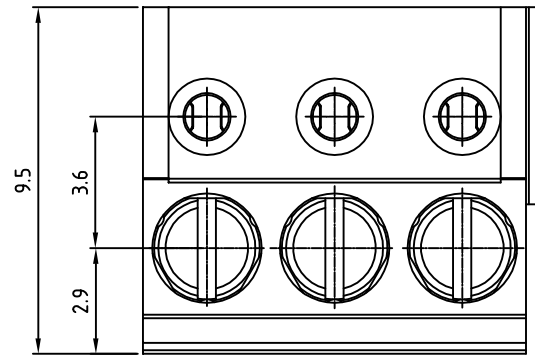
PART NUMBER:

OSTEHXX2160

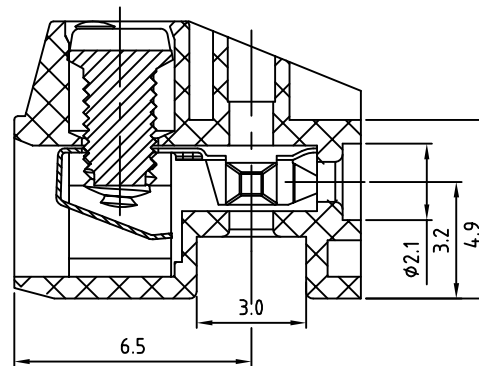
- No. of Poles
- 02 2 Poles
 - 03 3 Poles
 - ...
 - 24 24 Poles

COLOR

- 0: Black
- 5: Green
- 6: Blue (Standard)
- 8: Grey



N=Number of poles



THESE DRAWINGS AND SPECIFICATIONS ARE THE PROPERTY OF ON-SHORE TECHNOLOGY, INC. AND SHALL NOT BE REPRODUCED, COPIED OR USED IN ANY MANNER WITHOUT THE PRIOR WRITTEN CONSENT OF ON-SHORE TECHNOLOGY, INC.



TITLE		OSTEH - 3.5mm Series	
PART NO.	OSTEHXX2160	DWG NO.	OSTEHXX2160.DWG
APPROVED	CHECKED	DESIGNED	DRAWN
Shi Jun 2006.10.23	Shi Jun 2006.10.23	Shi Jun 2006.01.16	Shi Jun 2006.01.16
SHEET: 01/01		REV: D	
UNIT: mm		Tolerance	
SCALE: NONE		X. ±0.50	
		X.X ±0.30	
		X.XX ±0.10	
		X° ±1°	