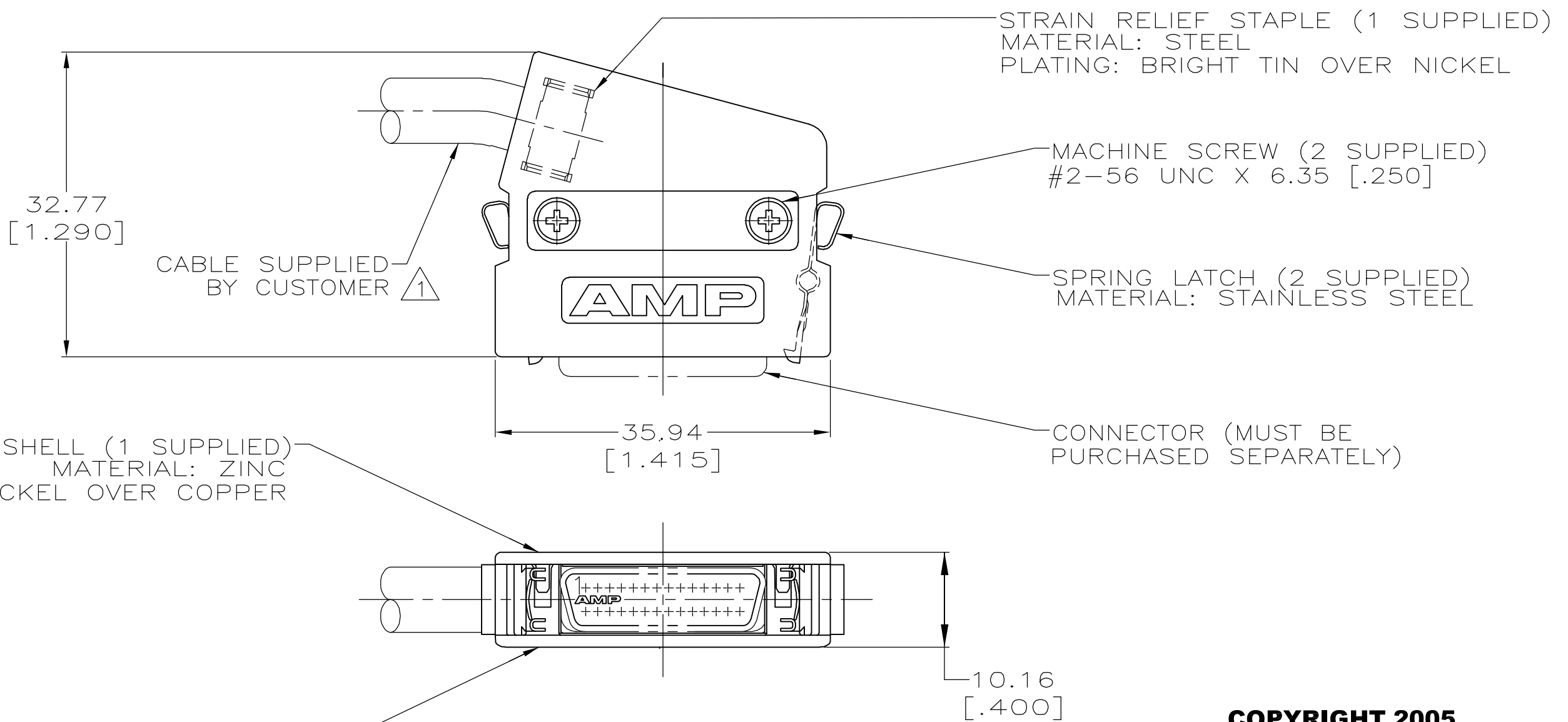


THIS DRAWING IS UNPUBLISHED. RELEASED FOR PUBLICATION  
 © COPYRIGHT BY TYCO ELECTRONICS CORPORATION. ALL RIGHTS RESERVED.

LOC	DIST	REVISIONS					
GP	00	P	LTR	DESCRIPTION	DATE	DWN	APVD
			0	RELEASED PER EC OS13-0001-05	26AUG05	GP	JG



**COPYRIGHT 2005  
 TYCO ELECTRONICS CORP  
 ALL RIGHTS RESERVED**

5749200-1  
 PART NO

$\triangle 1$  7.49 [.295] MAX CABLE DIA  
 2. PARTS PACKAGED AS A UNIT KIT.

THIS DRAWING IS A CONTROLLED DOCUMENT.		DWN G.PETERS 26AUG05	 Tyco Electronics Corporation Harrisburg, PA 17105-3608
DIMENSIONS: INCHES		CHK S.SHUEY 26AUG05	
		APVD M.WALMSLEY 26AUG05	
TOLERANCES UNLESS OTHERWISE SPECIFIED:		PRODUCT SPEC	NAME INDIVIDUAL KIT, UNASSEMBLED, 28 POSITION, 75' EXIT, UNKEYED, AMPLIMITE .050 Series
0 PLC ± - 1 PLC ± - 2 PLC ± - 3 PLC ± .038 [.015] 4 PLC ± - ANGLES ± -		APPLICATION SPEC	SIZE A3
MATERIAL		WEIGHT	CAGE CODE 00779
FINISH		CUSTOMER DRAWING	DRAWING NO G=5749200
		SCALE 1:1	RESTRICTED TO
		SHEET 1 OF 1	REV 0