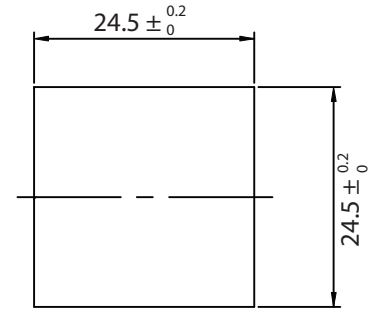
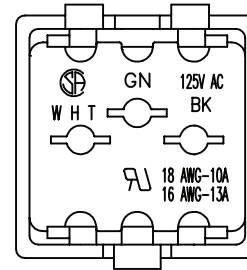
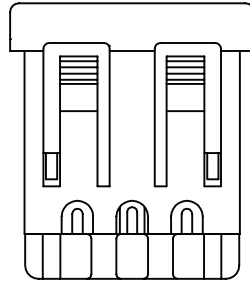
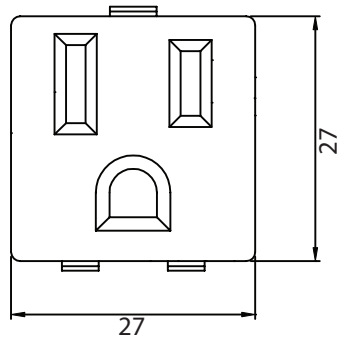
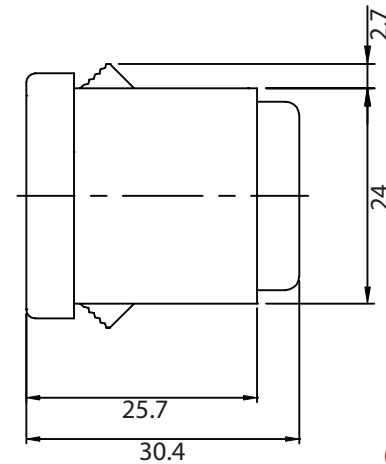
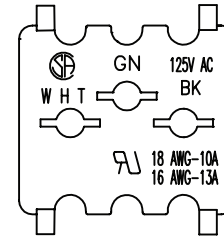
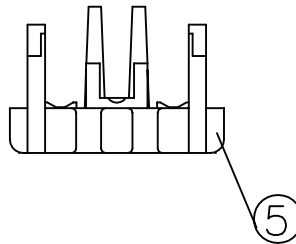
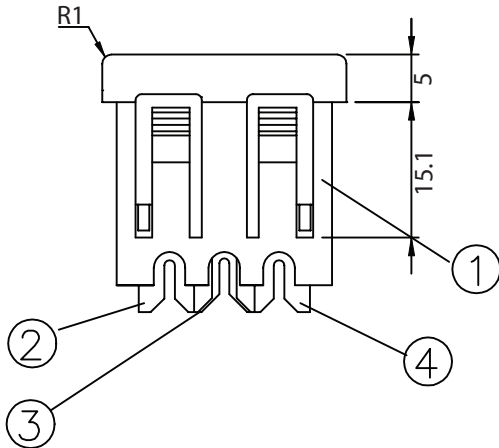


THESE DRAWINGS ARE THE PROPERTY OF QUALTEK ELECTRONICS AND NOT TO BE REPRODUCED FOR OR COMMUNICATED TO A THIRD PARTY WITHOUT THE EXPRESS WRITTEN PERMISSION OF AN OFFICER OF QUALTEK ELECTRONICS.

REVISION			
REV.	DESCRIPTION	DATE	APPROVED
B	RoHS Compliancy	06-01-06	DP



PANEL CUTOUT



CONTROLLED

NOTES:

RECOMMENDED TO USE 16 & 18 AWG
 RATING: 15A 125V AC
 APPROVALS: UL,CSA
 PRODUCT SHIPPED UNASSEMBLED
 RoHS COMPLIANT

5	Cover back of the body, NYLON Black Color	1
4	Contact PIN Bronze Strip t=0.4mm Cu-Plated	1
3	Contact PIN Bronze Strip t=0.4mm Cu-Plated	1
2	Contact PIN Bronze Strip t=0.4mm Ni-Plated	1
1	Body Insulator NYLON UL94V2 Black Color	1

Dim range (mm)	Tolerance +/- (mm)	Qualtek Electronics Corp. PPC DIVISION		
		Part Number: 739W-X2/02	RoHS Compliant	
0-1	0.15	Description: AC RECEPTACLE		
1-6	0.20			
6-18	0.30	UNIT: mm	REV. B	
18-50	0.50	Drawn / Date	Checked / Date	Approved / Date
50-120	0.70	S.Tsai 06-21-01	06-21-01	JJH / 06-21-01
120-250	0.90			
250-500	1.20			