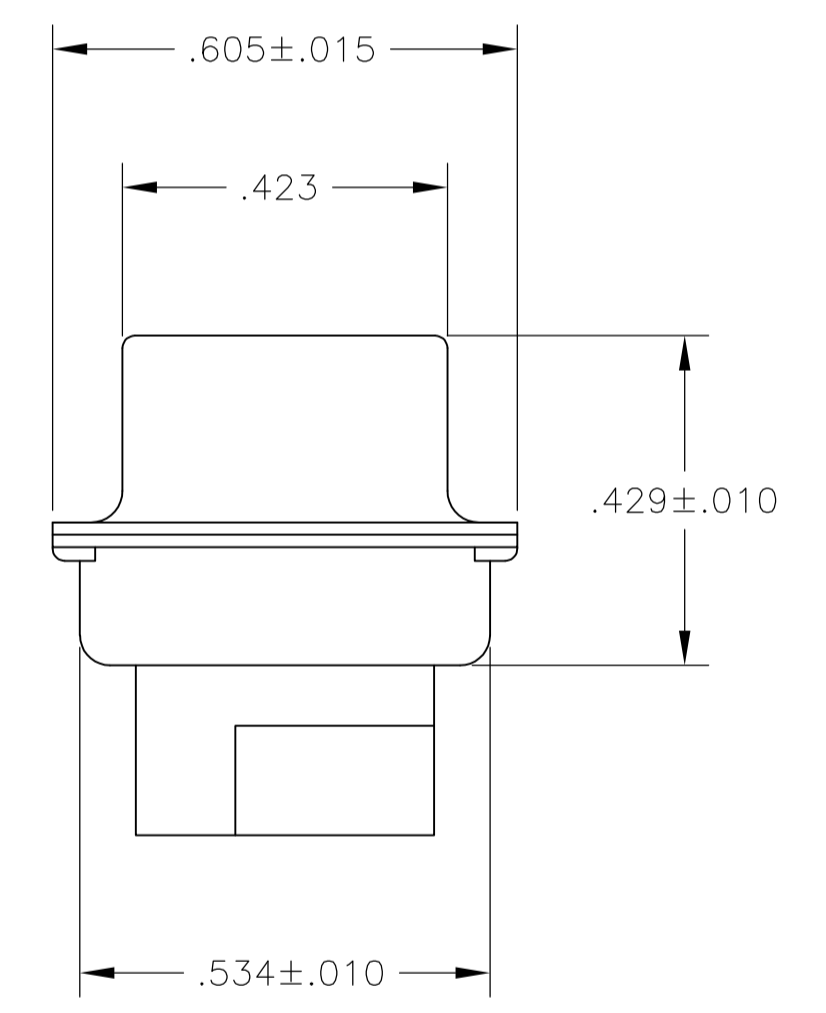
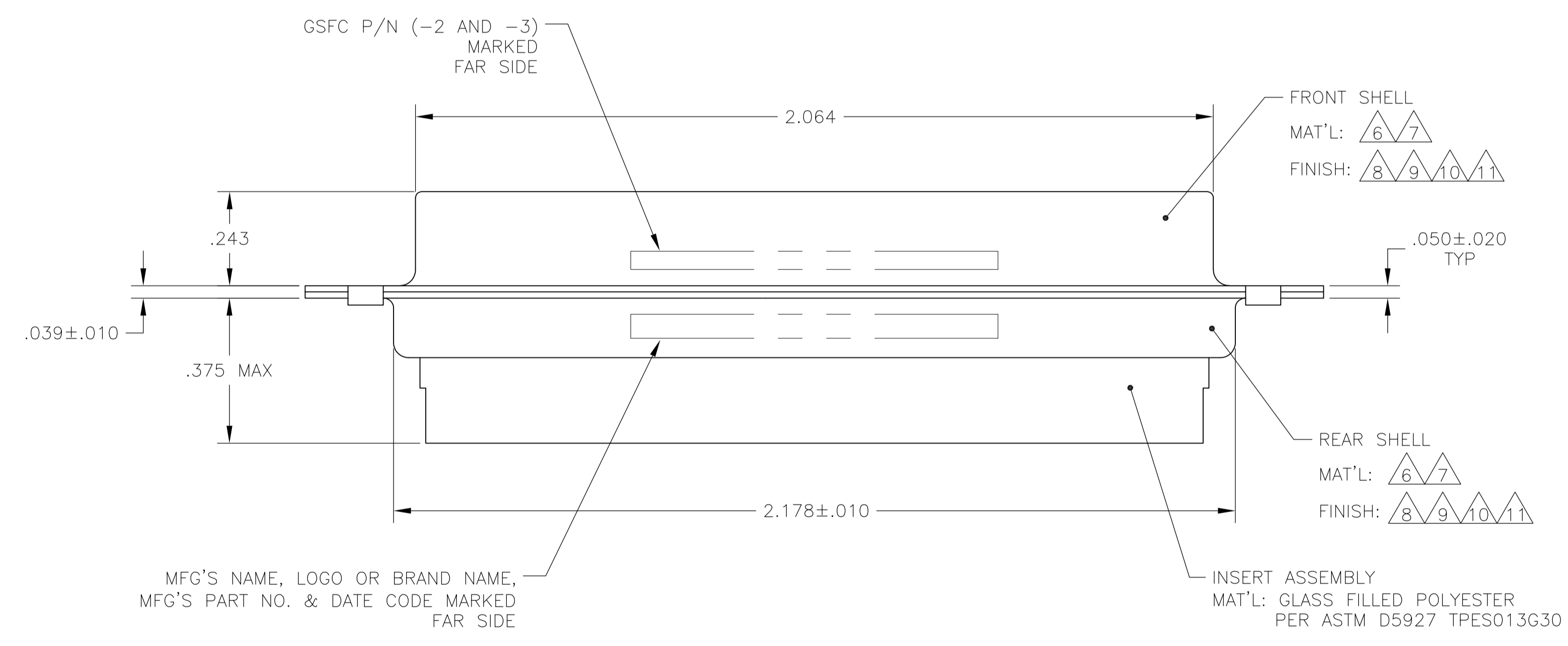
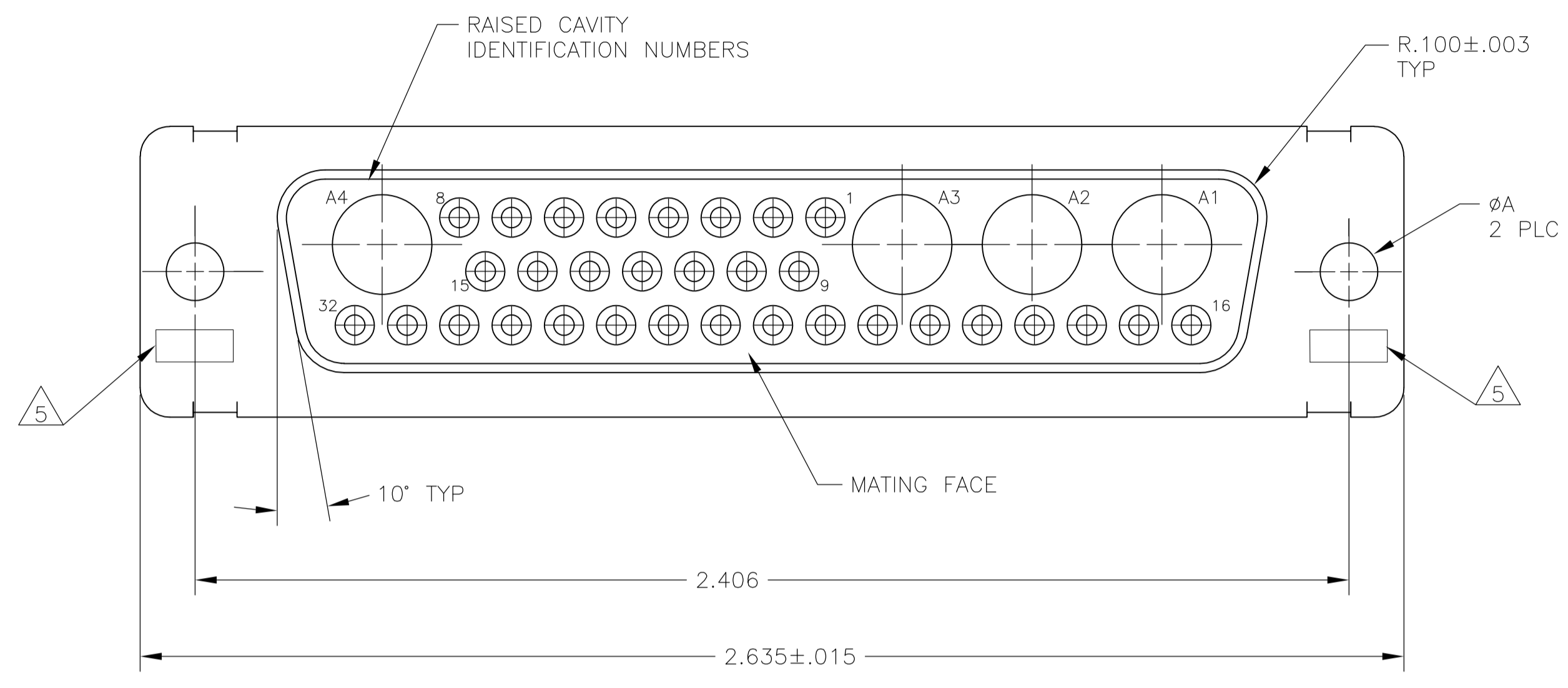


LOC	DIST	REVISIONS				
DF	DO	REV	DESCRIPTION	DATE	DWN	APVD
R		1	REVISED PER ECO-12-004104	16MAR12	PY	RL

1. THIS RECEPTACLE WILL MATE WITH ANY 36C4, SIZE 5 PLUG IN AMPLIMITE SERIES.
2. MAXIMUM WIRE INSULATION TO BE USED WITH THIS RECEPTACLE IS  $\phi .072$ .
3. THIS CONNECTOR ACCEPTS (4) POWER 8, OR COAX SOCKET CONTACTS IN POSITIONS A1 THRU A4, PURCHASED SEPARATELY.
4. THIS CONNECTOR ACCEPTS SIZE 20 SOCKET CONTACTS IN POSITIONS 1 THRU 32, PURCHASED SEPARATELY.

- △5 UL/CSA DESIGNATION STAMPED IN THIS AREA, OPTIONAL.
- △6 MATERIAL: STEEL PER ASTM-A-109.
- △7 MATERIAL: BRASS PER MIL-C-50 AND ASTM-B-36 UNS NO. C26000.
- △8 FINISH: CADMIUM PLATED PER QQ-P-416, TYPE II, CLASS 2.
- △9 FINISH: GOLD PER MIL-G-45204 TYPE II, GRADE C, CLASS 1 OVER COPPER PER MIL-C-14550, CLASS IV.
- △10 FINISH: TIN PER ASTM-B-545 .000200 MIN THK OVER COPPER PER AMS2418 .000100-.000200 THK.
- △11 FINISH: ZINC PLATE PER ASTM-B-633 .000200-.000400 THK WITH SUPPLEMENTARY CHROMATE (Cr3+).



REMARKS	$\phi A$	GSFC P/N	PART NO.
△6 △10	.120	-	5-208550-4
△6 △11	.120	-	5-208550-1
△6 △10	.120	-	208550-4
△7 △9	.154	311P405-23S-B-15	208550-3
△7 △9	.120	311P405-23S-B-12	208550-2
△6 △8	.120	-	208550-1

THIS DRAWING IS A CONTROLLED DOCUMENT.

DIN T. SHUEY 07-JAN-88  
 CHK A. EMADI 27-JAN-88  
 APVD A. EMADI 27-JAN-88

TE Connectivity

RECEPTACLE ASSEMBLY  
 AMPLIMITE 36C4  
 SIZE 5, COAX MIX

SIZE: A1 00779 C=208550  
 WEIGHT: --  
 CUSTOMER DRAWING

SCALE: 4:1 SHEET: 1 OF 1 REV: R

DIMENSIONS: INCHES	TOLERANCES UNLESS OTHERWISE SPECIFIED:
0 PLC	± .005
1 PLC	± .005
2 PLC	± .005
3 PLC	± .005
4 PLC	± .005
ANGLES	± .0°/30'