

THIS DRAWING IS UNPUBLISHED.

RELEASED FOR PUBLICATION

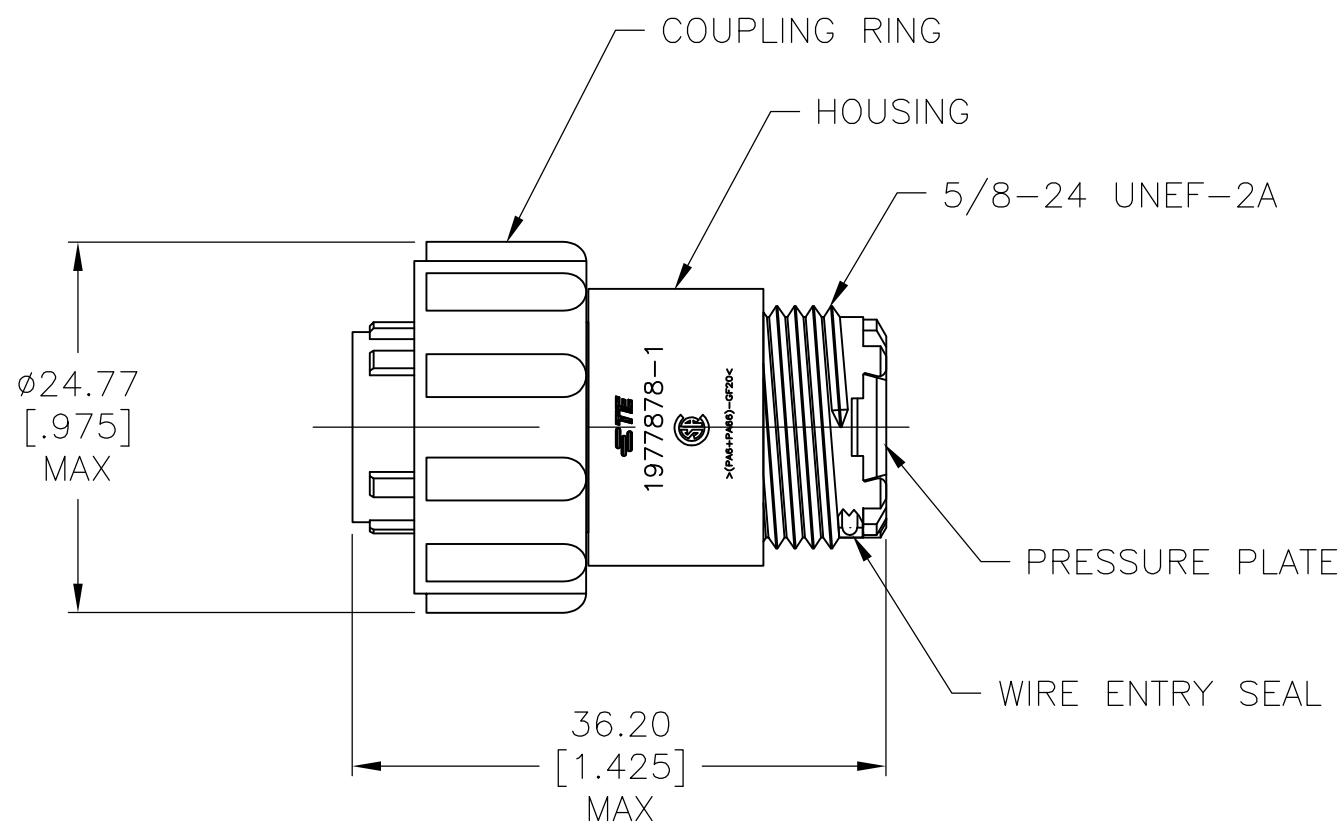
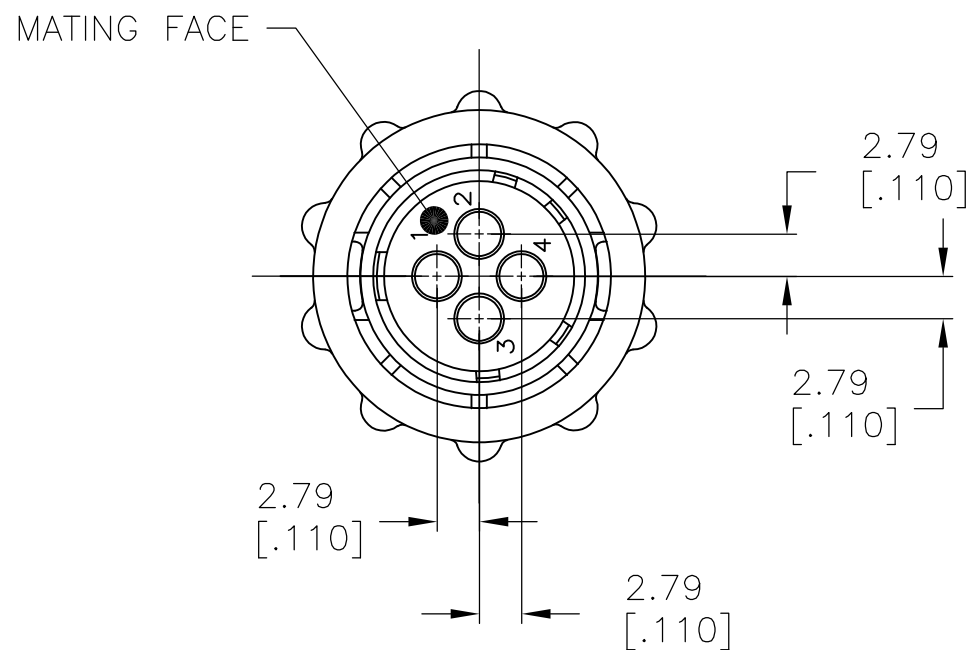
ALL RIGHTS RESERVED.

© COPYRIGHT - By -

REVISIONS

P	LTR	DESCRIPTION	DATE	DWN	APVD
	A1	REVISED PER ECO-13-001624	30JAN13	KH	MZ
	B	REVISED PER ECO-16-018358	09MAR2017	RS	MZ

- 1 THIS PART WILL ACCEPT FOUR (4) MULTIMATE SOCKET CONTACTS.
- 2 COUPLING RING, HOUSING, AND PRESSURE PLATE: NYLON, BLACK. WIRE ENTRY SEAL: ELASTOMER, RED-IRON OXIDE.
- 3 P/N 1977878-2 DOES NOT INCLUDE THE PRESSURE PLATE OR THE WIRE ENTRY SEAL.



3	OBSOLETE	1977878-2
		1977878-1
	PART NUMBER	

THIS DRAWING IS A CONTROLLED DOCUMENT.		DWN KIRAN HOLAL 08NOV12	STE TE Connectivity		
DIMENSIONS: mm [INCHES]		CHK M ZITTO 08NOV12			
TOLERANCES UNLESS OTHERWISE SPECIFIED:		APVD M ZITTO 08NOV12	NAME CPC PLUG ASSEMBLY, SERIES I, SEALED, 11-4, STANDARD SEX, UV RESISTANT		
0 PLC ± -		PRODUCT SPEC	SIZE		
1 PLC ± -		APPLICATION SPEC	CAGE CODE		
2 PLC ± 0.13 [.005]			DRAWING NO		
3 PLC ± -			RESTRICTED TO		
4 PLC ± -			A3 00779 C-1977878		
ANGLES ± -		WEIGHT	SCALE		
FINISH			2:1		
MATERIAL			SHEET		
			1 OF 1		
			REV		
			B		
			CUSTOMER DRAWING		