

Features

- Surface mount
- Dual transformer for transmit and receive
- 1500 VAC HIPOT
- RoHS compliant*

Applications

- Telecom



Model SM74139EL is currently available but not recommended for new designs.

SM74139L - T1/CEPT/ISDN-PRI Dual Transformer

Electrical Specifications @ 25 °C

Primary Pins

Core A	1-3
Core B	6-8
Ratio (±2 %)	
Core A & B.....	1CT : 1.15CT
OCL (mH) min.	
Core A & B.....	1.2
Leakage Inductance (μH) max.	
Core A & B.....	0.60
Cww (pF) max.	
Core A & B.....	.30
DCR of primary (Ω) max.	
Core A & B.....	0.70
DCR of secondary (Ω) max.	
Core A & B.....	0.75
Operating Temperature (°C)	0 to +70

*CT : center tap

Packaging Specifications

Tape & Reel*..... 700 pcs./reel

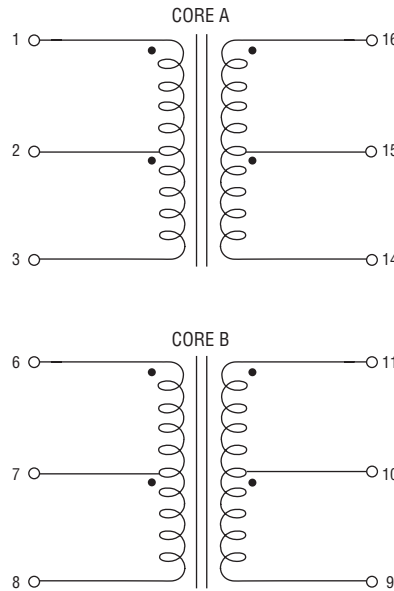
**"E" suffix before "L" in part number designates tape & reel packaging, e.g. SM74139EL.

How To Order

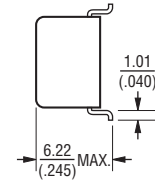
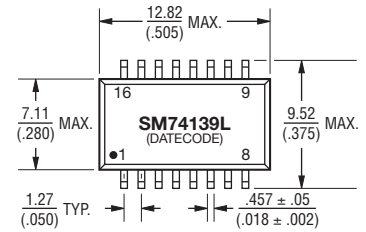
SM74139E L

Model _____
 Termination _____
 L = Tin only (RoHS Compliant)

Electrical Schematic



Product Dimensions



DIMENSIONS: $\frac{\text{MM}}{\text{(INCHES)}}$

TOLERANCE: $\pm \frac{0.254}{(.010)}$