

XD series

Proportional, industrial hand grip controllers •
non-contacting Hall effect technology



DISTINCTIVE FEATURES

- SIL 2 compatible - Redundant Hall sensors
- Resists high axial load (1780 N - 400 lbf)
- Shallow mounting depth of <60 mm (2.36)
- Rated for 10 million lifecycles
- SAE CANbus J1939-71



ENVIRONMENTAL SPECIFICATIONS

- Operating Temperature: -40 °C to +85 °C (-40 °F to +185 °F)
- Storage Temperature: -40 °C to +85 °C (-40 °F to +185 °F)
- Above Panel Sealing: Up to IP67 (subject to handle configuration)
- Humidity: IEC 60068-2-38
- Thermal shock: SAE J1455 section 4.1.3.2
- Salt spray: IEC 60068-2-11
- Random vibration: IEC 60068-2-64
- Sinusoidal vibration: IEC 60068-2-6
- EMC Emissions:
 - Radiated Emissions Level: ECE/324/Add.9:2012; CISPR 25:2002
 - Radiated Emissions Level: CISPR 25:2008
- EMC Immunity:
 - ESD: ISC 10605:2008; criteria A
 - Radiated immunity: ISO 11452-2:2004; criteria B
 - Bulk current injection immunity: ISO 11452-4:201; criteria A
 - Pulse 1, Pulse 2a, Pulse 2b, Pulse 3a, Pulse 3b, Pulse 4, Pulse 5a: ISO 7637-2:2011; criteria A



XD series

Proportional, industrial hand grip controllers • non-contacting Hall effect technology



ELECTRICAL SPECIFICATIONS

- Technology: Redundant Hall effect sensor
- Supply voltage range: 6 - 35 VDC
- Transient overvoltage max: 40 V
- Reverse polarity Max: -1000 VDC
- Output signal: SAE CANbus J1939-71
- Connections: Deutsch DTM04-6p



ELECTRICAL CONNECTIONS

- Six position connector: Deutsch DTM04-6P
- Wire: 22 AWG, PTFE insulation with expandable sleeve
- Length: 6:00" +/- 0.5" (bottom of joystick to connector)



MECHANICAL SPECIFICATIONS

- Operation: Two axis
- Deflection angle: $\pm 20^\circ$ in X and Y directions
- Maximum axial load: 400 lbf.
- Expected life: 10 million lifecycles (X and Y axis)
- Lever Action (centering): Spring return

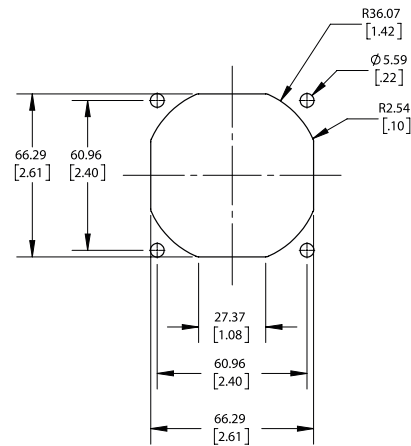


MATERIALS

- Shaft: Stainless steel
- Boot: Silicone
- Handles: Glass filled nylon
- Bezel: Hard black anodized aluminum
- Body: Aluminum
- Cover: Zinc plated steel
- Weight: 800 g



PANEL CUT-OUT



CAN J1939 INTERFACE SPECIFICATION

The XD Series utilizes redundant Hall effect sensors to measure the primary X and Y axis. The CAN controller support various button configurations as well as proportional thumbwheels and mini-joysticks for additional axis data.

All axis and button data are delivered on a CAN 2.0B compliant physical interface. Two additional signals allow configuration of the controller Source Address. Controller messages are delivered per the SAE J1939-71 message protocol.

CAN 2.0B INTERFACE PARAMETERS

- Baud rate: 250 KHz
- Transmission repetition rate: 50ms
- BJMI/EJMI interval time: 20ms
- Terminating resistor: No
(available by special request to factory)
- Connection to Deutsch DTM04-6P connector:

Pin	Color	Function
1	White	CAN Lo
2	Green	CAN Hi
3	Blue	Source Address SEL 1
4	Orange	Source Address SEL 0
5	Black	Ground
6	Red	6 - 35 VDC

Proportional, industrial hand grip controllers • non-contacting Hall effect technology



CAN J1939 INTERFACE SPECIFICATION (CONTINUED)

CAN MESSAGE PROTOCOL

- Primary Axis and button data on Basic Joystick Message 1 (BJM1):
 - Priority: 3
 - Base PGN: 0xFDD6
 - Source address: 0x10¹
 - Data field: 8 bytes
- Redundant Axis data on Extended Joystick Message 1 (EJM1):
 - Priority: 3
 - Base PGN: 0xFDD7
 - Source address: 0x10¹
 - Data field: 8 bytes
- Additional thumbwheels and mini-joysticks data on Extended Joystick Message 2 (EJM2):
 - Priority: 3
 - Base PGN: 0xFDD9
 - Source address: 0x10¹
 - Data field : 8 bytes

Note 1: Alternate source addresses can be configured by grounding of the blue and/or orange wires.

- Source address= 0x10: ORANGE= floating , BLUE= floating (default)
- Source address= 0x20: ORANGE= floating, BLUE= grounded
- Source address= 0x30: ORANGE= grounded, BLUE= floating
- Source address= 0x40: ORANGE= grounded, BLUE= grounded

BJM1 DATA FIELD STRUCTURE:

START POSITION (BYTE/BIT)	LENGTH (BITS)	FUNCTION
1/1	2	Primary X-axis neutral position status
1/3	2	Primary X-axis left position status
1/5	2	Primary X-axis right position status
1/7 to 2/8	10	Primary X-axis position data
3/1	2	Primary Y-axis neutral position status
3/3	2	Primary Y-axis down position status
3/5	2	Primary Y-axis up position status
3/7 to 4/8	10	Primary Y-axis position data
6/1	2	Button 4 status
6/3	2	Button 3 status
6/5	2	Button 2 status
6/7	2	Button 1 status
7/1	2	Button 8 status (Paddle if 6 button configuration) ²
7/3	2	Button 7 status (Trigger if 6 button configuration) ²
7/5	2	Button 6 status
7/7	2	Button 5 status

EJM1 DATA FIELD STRUCTURE:

START POSITION (BYTE/BIT)	LENGTH (BITS)	FUNCTION
1/1	2	Redundant X-axis neutral position status
1/3	2	Redundant X-axis left position status
1/5	2	Redundant X-axis right position status
1/7 to 2/8	10	Redundant X-axis position data
3/1	2	Redundant Y-axis neutral position status
3/3	2	Redundant Y-axis down position status
3/5	2	Redundant Y-axis up position status
3/7 to 4/8	10	Redundant Y-axis position data

EJM2 DATA FIELD STRUCTURE:

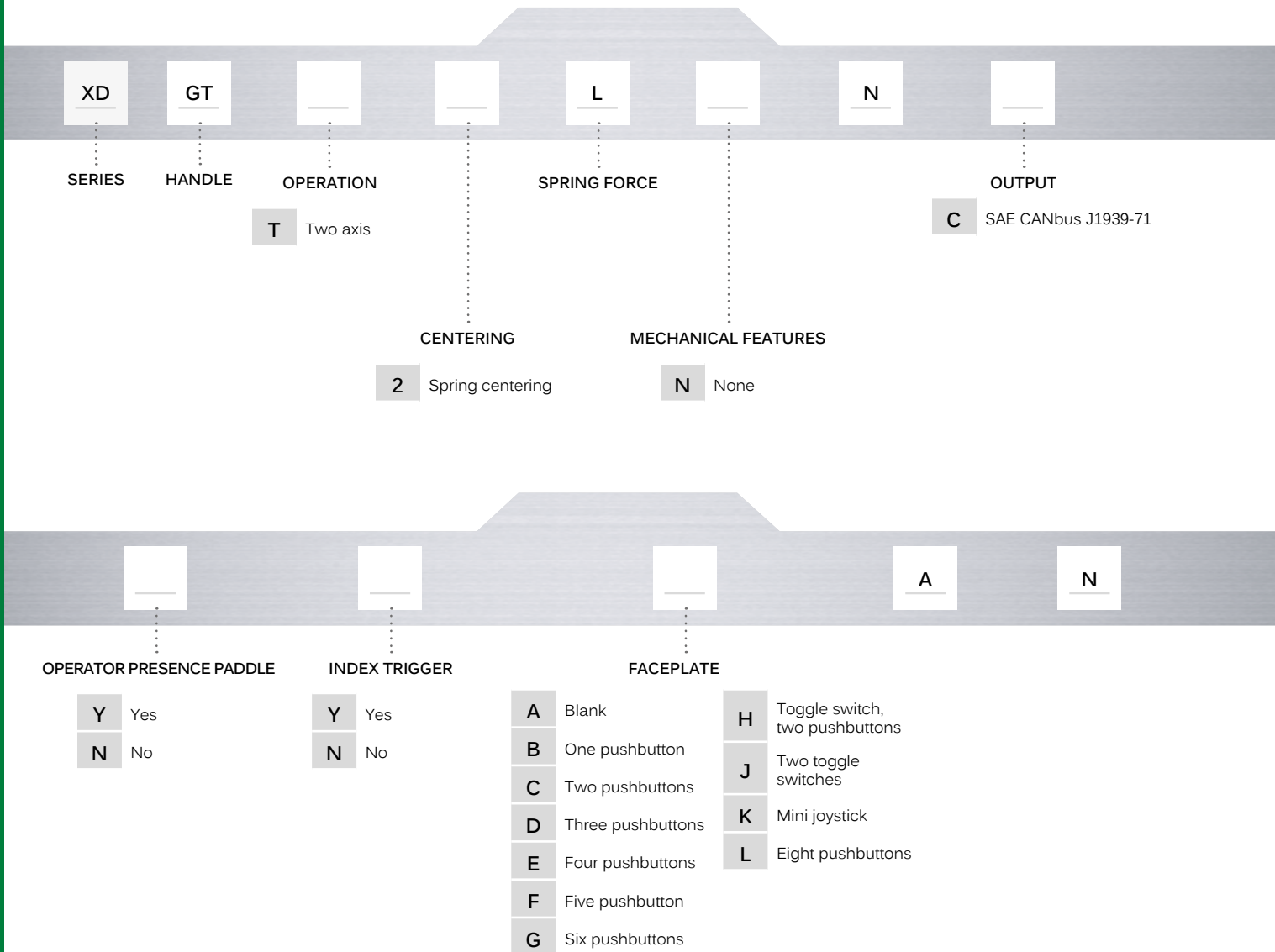
START POSITION (BYTE/BIT)	LENGTH (BITS)	FUNCTION
1/1	2	A-axis neutral position status
1/3	2	A-axis left position status
1/5	2	A-axis right position status
1/7 to 2/8	10	A-axis position data
3/1	2	B-axis neutral position status
3/3	2	B-axis left position status
3/5	2	B-axis right position status
3/7 to 4/8	10	B-axis position data
5/1	2	C-axis neutral position status
5/3	2	C-axis left position status
5/5	2	C-axis right position status

XD series

Proportional, industrial hand grip controllers •
non-contacting Hall effect technology



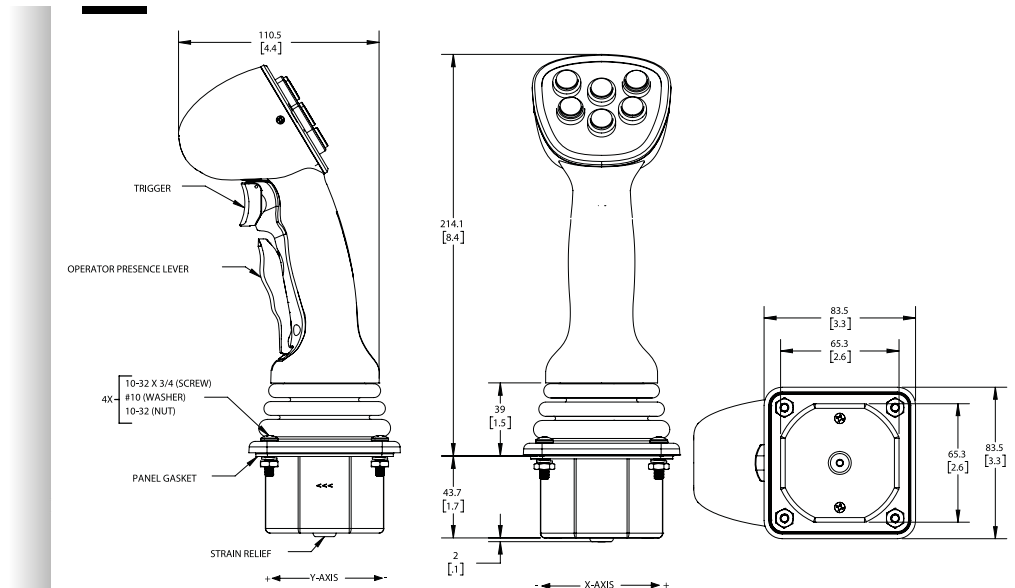
BUILD YOUR PART NUMBER



XD series

Proportional, industrial hand grip controllers • non-contacting Hall effect technology

DIMENSIONS



FACEPLATE OPTIONS



A



B



C



D



E



F



G



H



J



K



L

COMPONENT DESCRIPTIONS

- **MT series:** Sealed toggle switch

- MOM-OFF-MOM

- P/N: MTG72AD2

- **IM series:** Sealed momentary pushbutton

- Snap action

- P/N: IMR7Z42234

- **TS series :** Miniature Hall effect joystick

- Two axis, proportional output

- P/N: TS1T2S02A