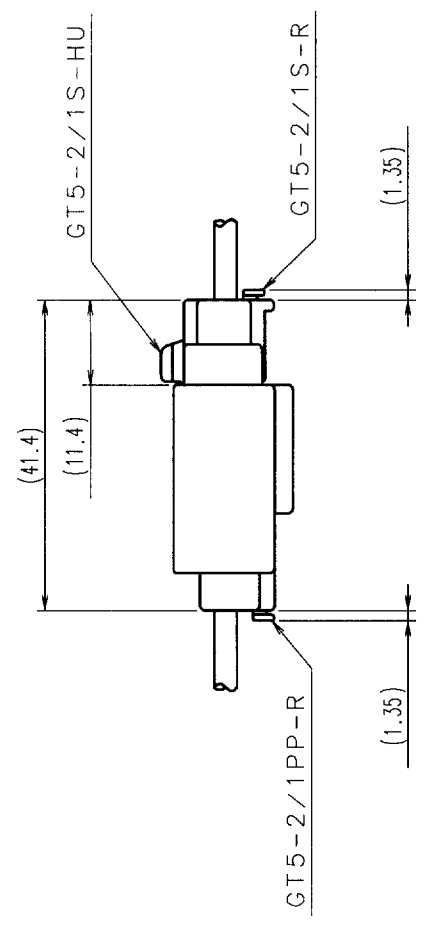
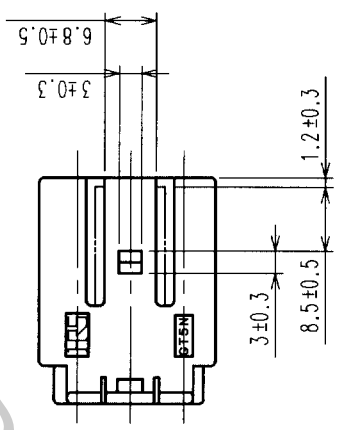
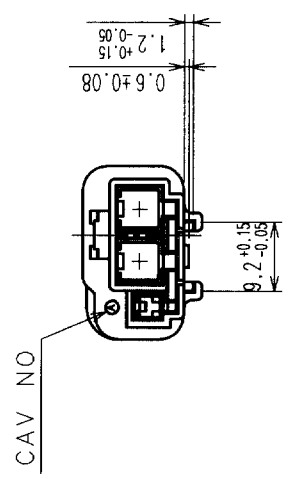
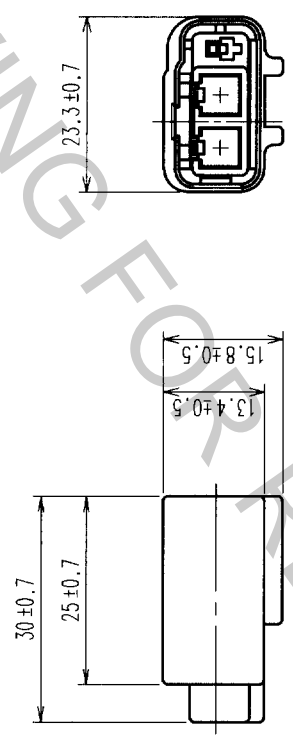
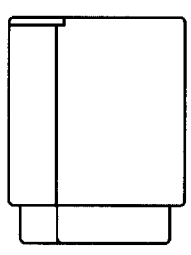
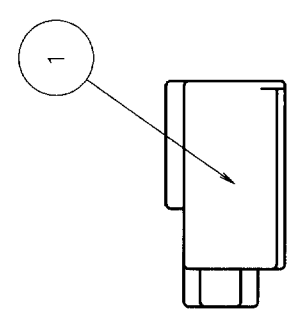


COUNT		DESCRIPTION OF REVISIONS	BY	CHKD	DATE	COUNT	DESCRIPTION OF REVISIONS	BY	CHKD	DATE
△						△				
△						△				
△						△				

NOTE1. THIS CONNECTOR SHALL BE USED WITH A RETAINER
(CL755-0010-0).

PECULIAR SPECIFICATION CHART

PART NO	CLNo.	SPECIFICATION
GT5N-2/1PP-HU	755-0013-8	LIGHT GRAY
GT5N-2/1PP-HU (20)	755-0013-8-20	ORANGE
GT5N-2/1PP-HU (21)	755-0013-8-21	BLUE



MATED CONNECTORS

1	PBT	UL94V-0																		
NO.	MATERIAL	FINISH, REMARKS	NO.	MATERIAL	FINISH, REMARKS	DESIGNED	CHECKED	APPROVED	RELEASED											
	CL559-0133-9					T. IKEDA	M. Okada	K. Aoto												
						'01.11.7	'01.11.27	'01.11.27												
DRAWING NO.		EDC3-071714		PART NO.		GT5N-2/1PP-HU														
SCALE		1 : 1		CODE NO.		CL755-0013-8														
UNITS		mm		DRAWING NO.		EDC3-071714														
		HRS		HIROSE ELECTRIC CO., LTD																

TO			
----	--	--	--