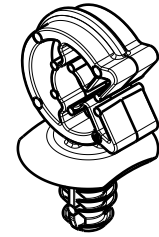


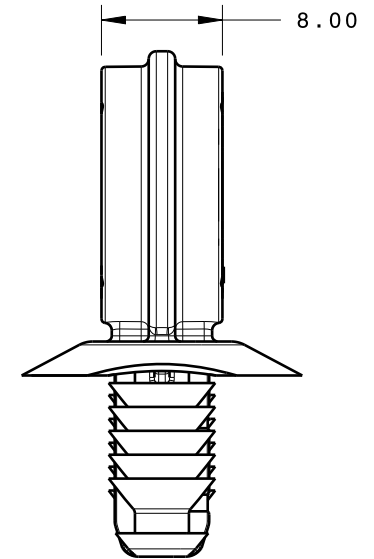
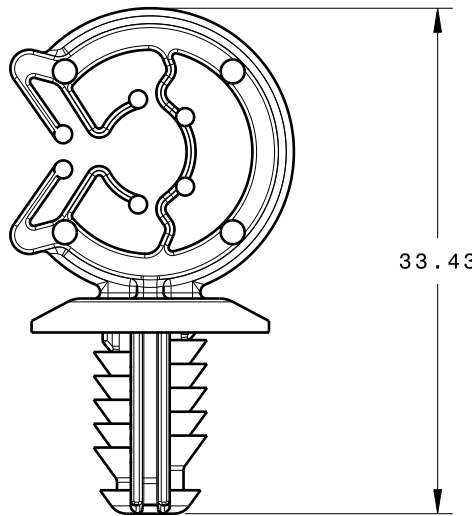
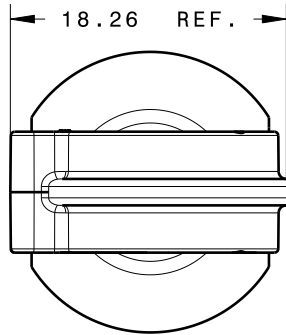
REFERENCE:

PERFORMANCE REQUIREMENTS AT DRY AS MOLDED:

1. FIR TREE PUSH IN FORCE: REF. 10 LBS MAX IN A 6.60 mm HOLE AND A PLATE THICKNESS OF 1.8mm
2. FIR TREE PULL OUT FORCE: REF. 25 LBS MIN IN A 6.6mm HOLE AND A PLATE THICKNESS OF 1.8mm
3. FIR TREE PANEL THICKNESS RANGE: .70mm TO 6.35mm



Isometric view  
Scale: 1:1



INVENTORS

**HellermannTyton®**

ALL PROPRIETARY RIGHTS IN THE SUBJECT MATTER SHOWN ON THIS DRAWING ARE EXCLUSIVE PROPERTY OF HELLERMANN TYTON

name	date	city, state
S. ADAMS	10/8/10	MENOMONEE FALLS, WI.

REVISIONS

REVISIONS	D	level	03
	A	by	SJA
	W	date	2/17/11
	I	ECN #	011761
	N	part level	A

DIMENSIONS

DIMENSIONS	TOLERANCES
	.XXXX = ± 0.25
	.XXX = ± 0.50
	.XX = ± 0.75
	.X = ± 1.50
∠ = ± 0.5	
unless otherwise specified	
units	millimeters

PART

number	SC6.6	phase	PRODUCTION
name	6.0 TO 7.6mm WIRE RETAINER WITH 6.60mm FIR TREE		
material	PA66HIRHSUV COLOR: BLACK		

DRAWING

FORMAT	AH	CAD	CATIA V5	SCALE	2:1
VERSION	J	previous drawing number			
A- SIZE (landscape)_N01					
drawn	S. ADAMS	checked	-	approved	-
date	10/8/10	checked	-	approved	-
type	CUSTOMER		sheet 1 of 1		
number	MT10-0997-001CST				