

THIS DRAWING IS UNPUBLISHED. RELEASED FOR PUBLICATION
 © COPYRIGHT BY TYCO ELECTRONICS CORPORATION. ALL RIGHTS RESERVED.

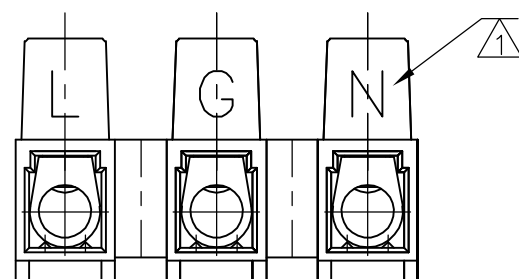
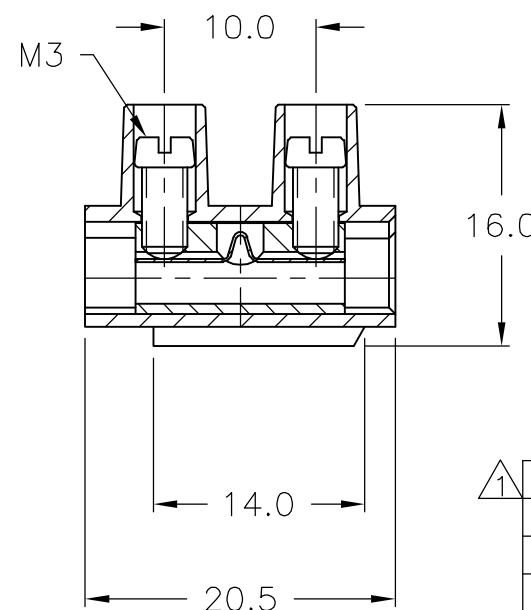
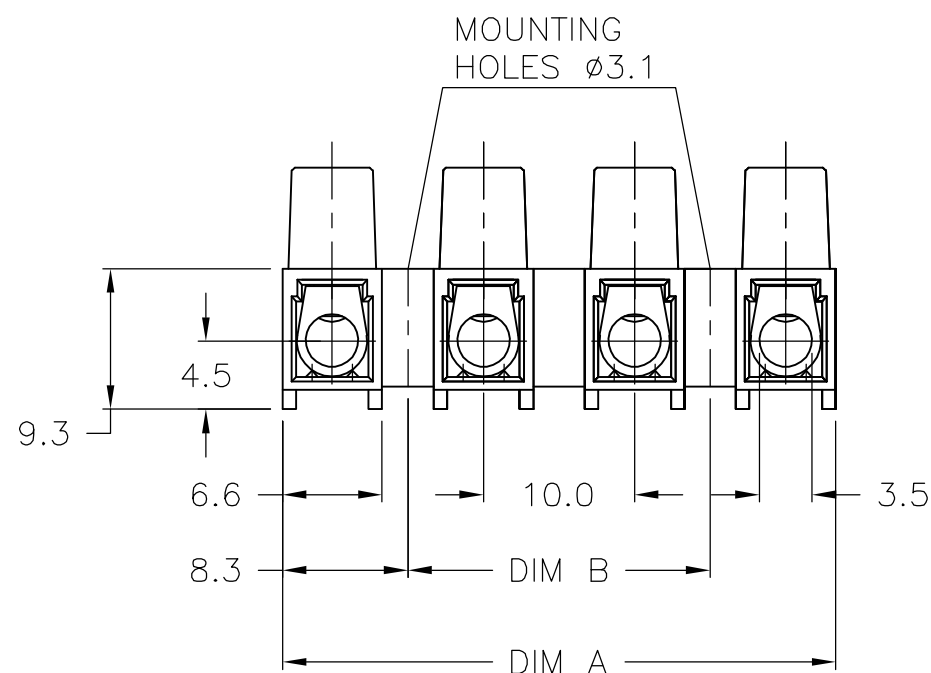
LOC	DIST	REVISIONS			
P	LTR	DESCRIPTION	DATE	DWN	APVD
FT	0	01	REVISED PER ECO-06-5526	3/10/06	SS CR

MATERIAL:
 HOUSING: POLYAMIDE 6/6 UL94V-0.
 COLOR: BROWN
 TERMINAL: BRASS, TIN PLATED
 SCREWS: STEEL, ZINC PLATED W/ NON-HEXAVALENT CHROMATE (CHROME III).
 WIRE PROTECTOR: STAINLESS STEEL

ELECTRICAL:
 CURRENT RATING: 30A
 OPERATING VOLTAGE: 250V
 WIRE RANGE: 12-24 AWG

ENVIRONMENTAL:
 CONTINUOUS WORKING TEMP: -50°C TO +160°C

△ PART TO BE PERMANENTLY MARKED AS SHOWN, BLACK LETTERING.



1-1776298-3

△	10.0	26.6	3	-	1-1776298-3
	100.0	116.6	12	TSB500 1231DS HT	1-1776298-2
	90.0	106.6	11	TSB500 1131DS HT	1-1776298-1
	80.0	96.6	10	TSB500 1031DS HT	1-1776298-0
	70.0	86.6	9	TSB500 0931DS HT	1776298-9
	60.0	76.6	8	TSB500 0831DS HT	1776298-8
	50.0	66.6	7	TSB500 0731DS HT	1776298-7
	40.0	56.6	6	TSB500 0631DS HT	1776298-6
	30.0	46.6	5	TSB500 0531DS HT	1776298-5
	20.0	36.6	4	TSB500 0431DS HT	1776298-4
	10.0	26.6	3	TSB500 0331DS HT	1776298-3
	-	16.6	2	TSB500 0231DS HT	1776298-2
	-	6.6	1	TSB500 0131DS HT	1776298-1
	DIM B	DIM A	NO. OF POS	CATALOG PART NO.	PART NO.

THIS DRAWING IS A CONTROLLED DOCUMENT.		DWN S SCHLEGEL 3/18/05	Tyco Electronics Corporation Harrisburg, PA 17105-3608			
DIMENSIONS: mm		CHK C RICHARD 3/18/05				
TOLERANCES UNLESS OTHERWISE SPECIFIED:		APVD C RICHARD 3/18/05	NAME			
0 PLC ± - 1 PLC ± 0.3 2 PLC ± 0.25 3 PLC ± - 4 PLC ± - ANGLES ± 2°		PRODUCT SPEC	EUROPA TERMINAL BLOCK W/ WIRE PROTECTOR MOUNTING HOLES 3.1 DIA, 10.0mm PITCH, HIGH TEMP			
MATERIAL		APPLICATION SPEC	SIZE	CAGE CODE	DRAWING NO	RESTRICTED TO
FINISH		WEIGHT	A3	00779	C-1776298	-
CUSTOMER DRAWING			SCALE	SHEET	REV	
			NTS	1 OF 1	01	