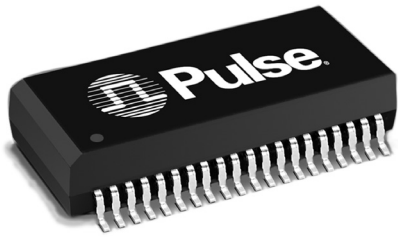


10/100BASE-TX QUAD-PORT TRANSFORMER MODULES

Ruggedized



- Compliant with IEEE 802.3u and ANSI X3.263 standards
- 350µH OCL with 8mA bias
- Operating and storage temperature: -40°C to +85°C
- IC grade transfer-molded package withstands 235°C peak temperature profile
- AS9100 Certified (Based on and including ISO 9001:2000)
- MSL: 3

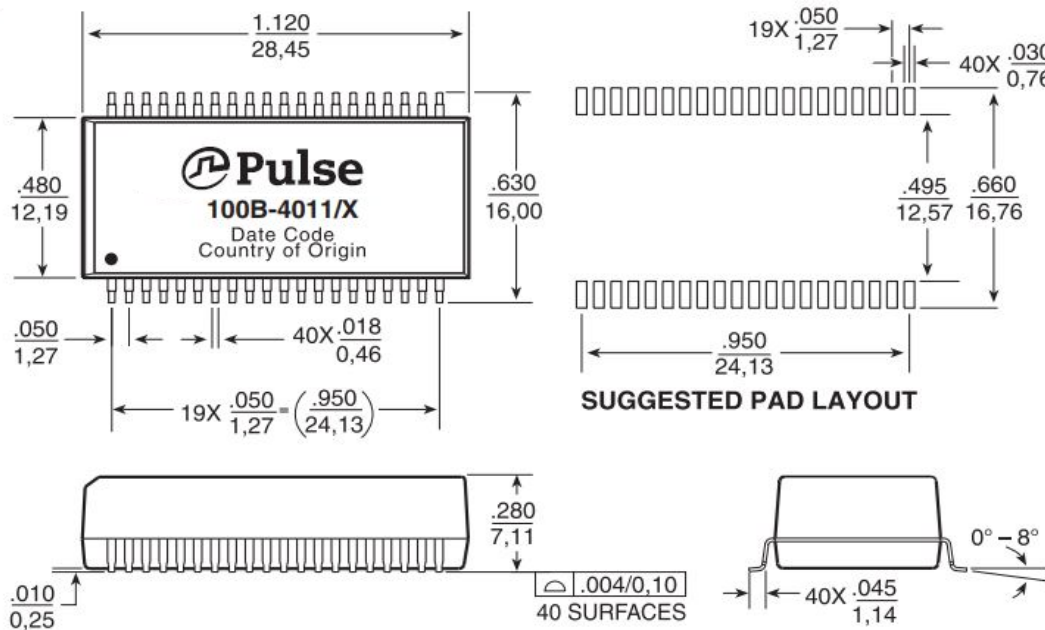
Electrical Specifications @ 25°C

Part ^{1,2,3} Number	Insertion Loss (dB MAX)	Return Loss (db MIN)				Crosstalk (db MAX)				Differential to Common Mode Rejection (db MIN)			
	0.1 - 100MHz	5MHz	30MHz	60MHz	80MHz	1MHz	30MHz	60MHz	80MHz	30MHz	60MHz	80MHz	200MHz
100B-4011	-1.2	-16	-16	-12	-12	-50	-43	-37	-33	-42	-37	-33	-25

Notes: 1. Add suffix X for extended temp version (ie. 100B-4011X); 2. Add suffix NL for RoHS compliant version (100B-4011NL); 3. Add suffix T for tape and reel

Mechanical

100B-4011X



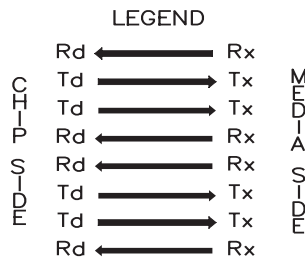
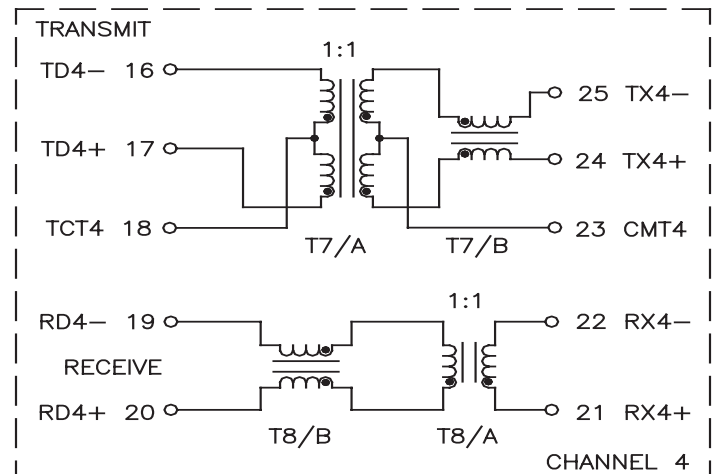
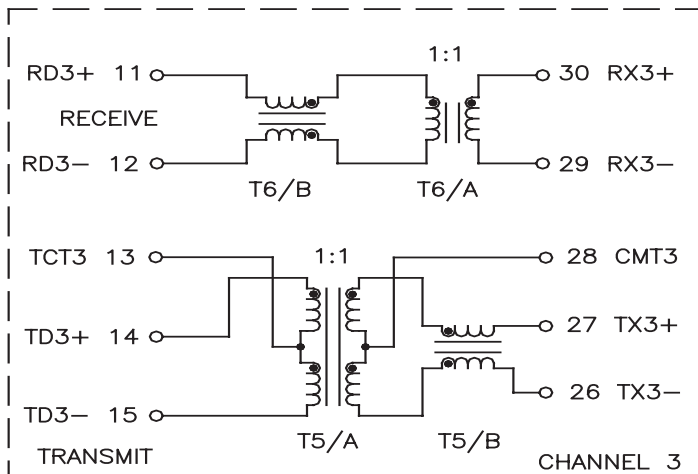
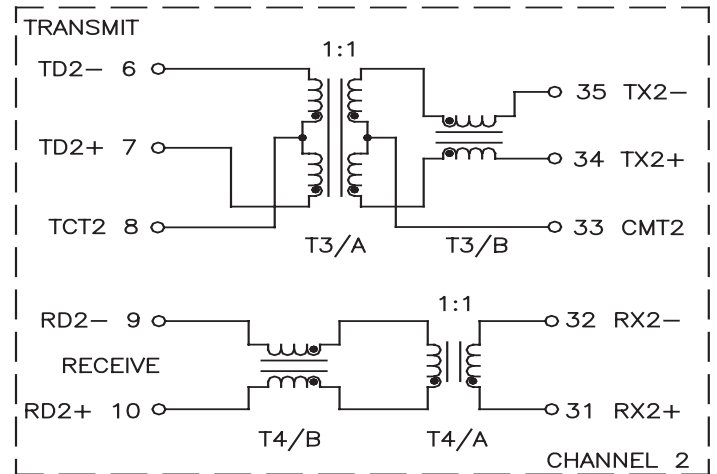
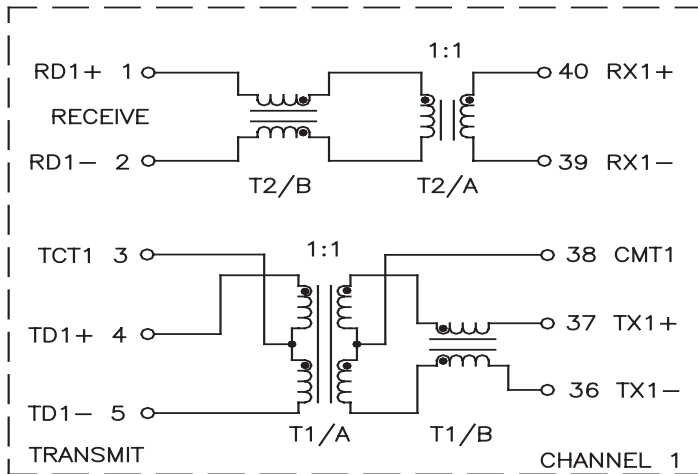
Weight 4.0 grams TYP
 Tape and Reel 250/reel
 Tray 15/tray

Dimensions: $\frac{\text{Inches}}{\text{mm}}$
 Unless otherwise specified, all tolerances are $\pm \frac{.010}{0.25}$

10/100BASE-TX QUAD-PORT TRANSFORMER MODULES

Ruggedized

Schematics



ALL CHANNELS ARE IN PHASE BETWEEN INPUT AND OUTPUT