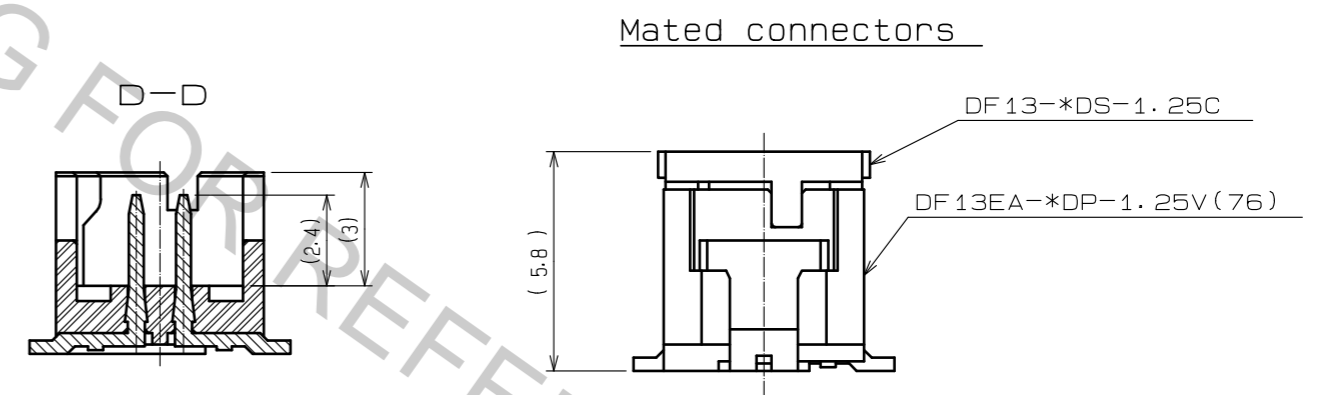
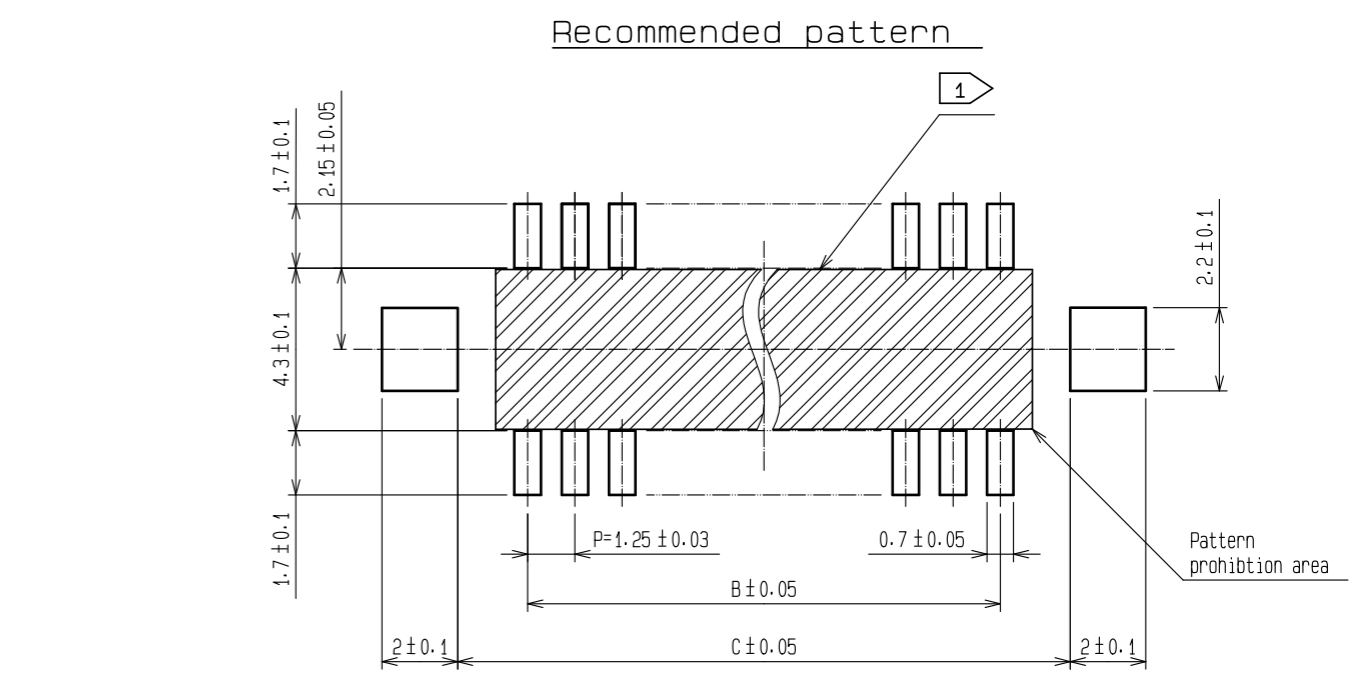
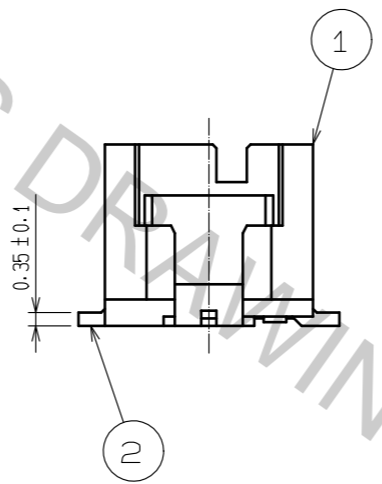
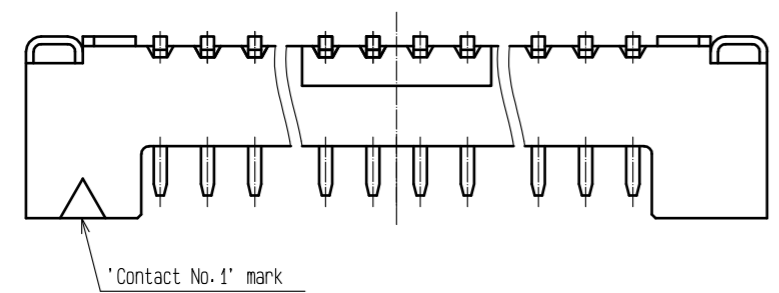
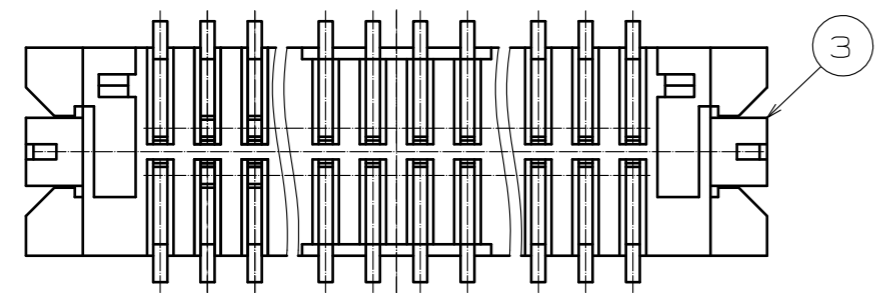
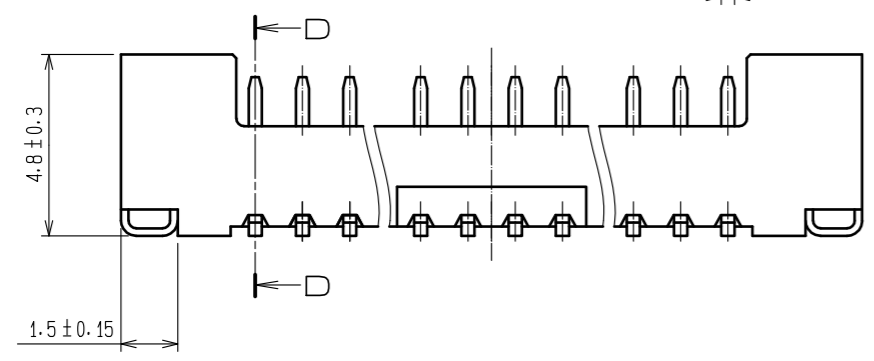
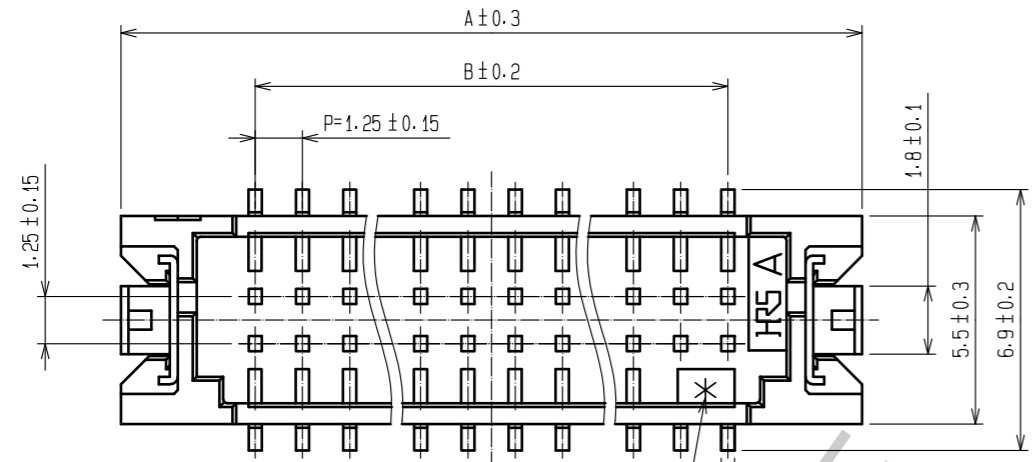


Aug.1.2018 Copyright 2018 HIROSE ELECTRIC CO., LTD. All Rights Reserved.
 In case that the application demands a high level of reliability, such as automotive,
 please contact a company representative for further information.

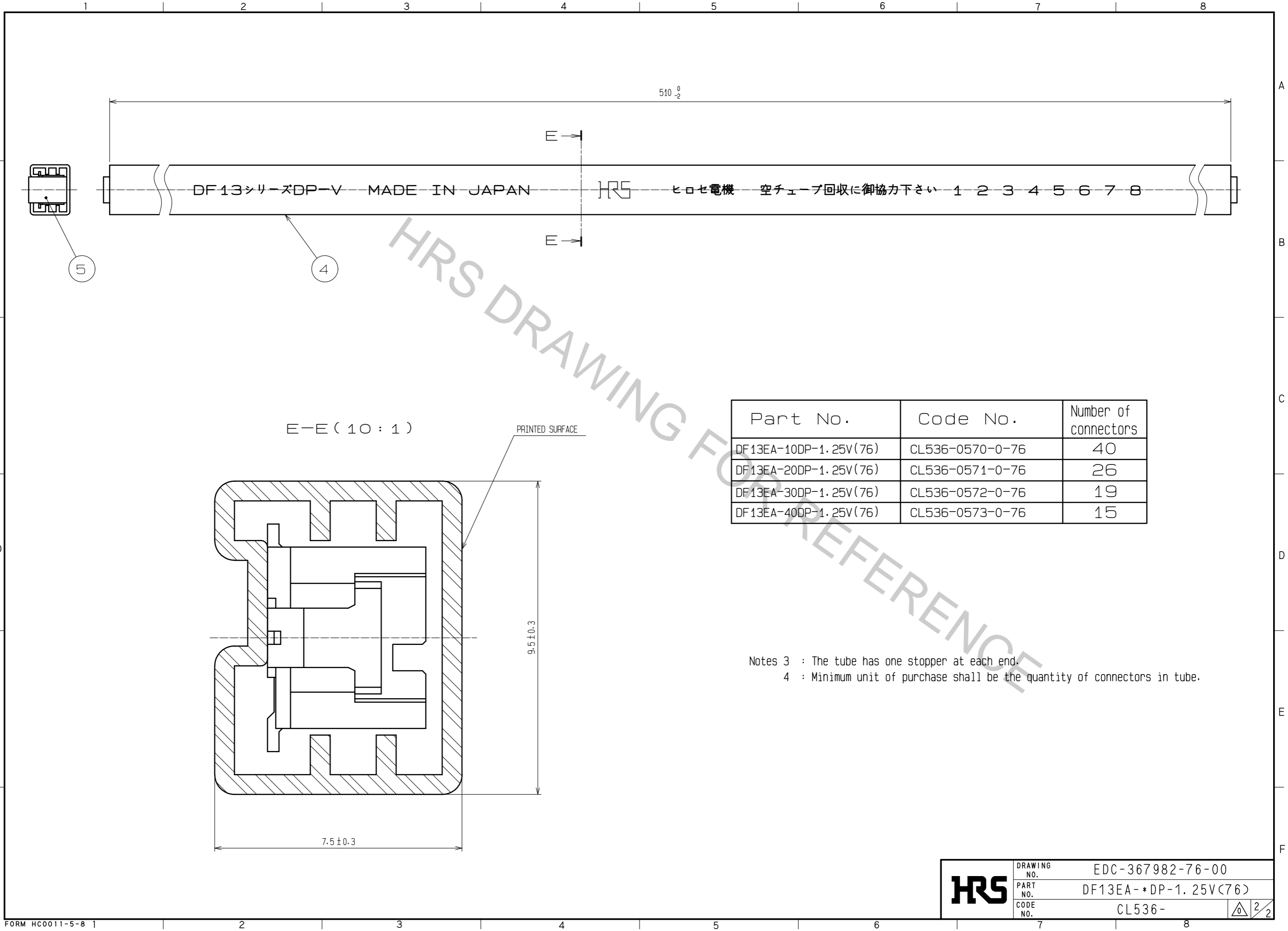


NOTES 1: If there are pattern and a bia hole on part, there is a possibility that it will make contact with the leads.
 2: Lead co-planality include reinforced metal fittings shall be 0.1mm MAX.

Part No.	Number of contacts	Code No.	A	B	C
DF 13EA-10DP-1.25V(76)	10	CL536-0570-0-76	12.1	5.0	8.7
DF 13EA-20DP-1.25V(76)	20	CL536-0571-0-76	18.35	11.25	14.95
DF 13EA-30DP-1.25V(76)	30	CL536-0572-0-76	24.60	17.50	21.20
DF 13EA-40DP-1.25V(76)	40	CL536-0573-0-76	30.85	23.75	27.45

2	Brass	Contact area:Gold plated 0.2µm MIN	5	ELASTOMER	Gray		
		Lead area:Tin-copper plated 1µm MIN		4	R. PVC	Electrostatic protection:Clear	
1	Polyamide	Under plating:Nickel 1µm MIN	3	Phosphor bronze	Tin plated 1µm MIN		
		Beige:UL94V-0		NO. MATERIAL FINISH . REMARKS			
UNITS mm		SCALE 5 : 1	COUNT	DESCRIPTION OF REVISIONS	DESIGNED	CHECKED	DATE
HIROSE ELECTRIC CO., LTD.		APPROVED :HS. OKAWA	18.04.05	DRAWING NO. EDC-367982-76-00			
		CHECKED :TS. FUKUSHIMA	18.04.05	PART NO. DF13EA-*DP-1.25V(76)			
		DESIGNED :TS. KUMAZAWA	18.04.05	CODE NO. CL536-			
		DRAWN :MK. INOUE	18.04.05				

Aug.1.2018 Copyright 2018 HIROSE ELECTRIC CO., LTD. All Rights Reserved.
 In case that the application demands a high level of reliability, such as automotive,
 please contact a company representative for further information.



Part No.	Code No.	Number of connectors
DF13EA-10DP-1.25V(76)	CL536-0570-0-76	40
DF13EA-20DP-1.25V(76)	CL536-0571-0-76	26
DF13EA-30DP-1.25V(76)	CL536-0572-0-76	19
DF13EA-40DP-1.25V(76)	CL536-0573-0-76	15

Notes 3 : The tube has one stopper at each end.
 4 : Minimum unit of purchase shall be the quantity of connectors in tube.

HRS	DRAWING NO.	EDC-367982-76-00	
	PART NO.	DF13EA-*DP-1.25V(76)	
	CODE NO.	CL536-	2/2