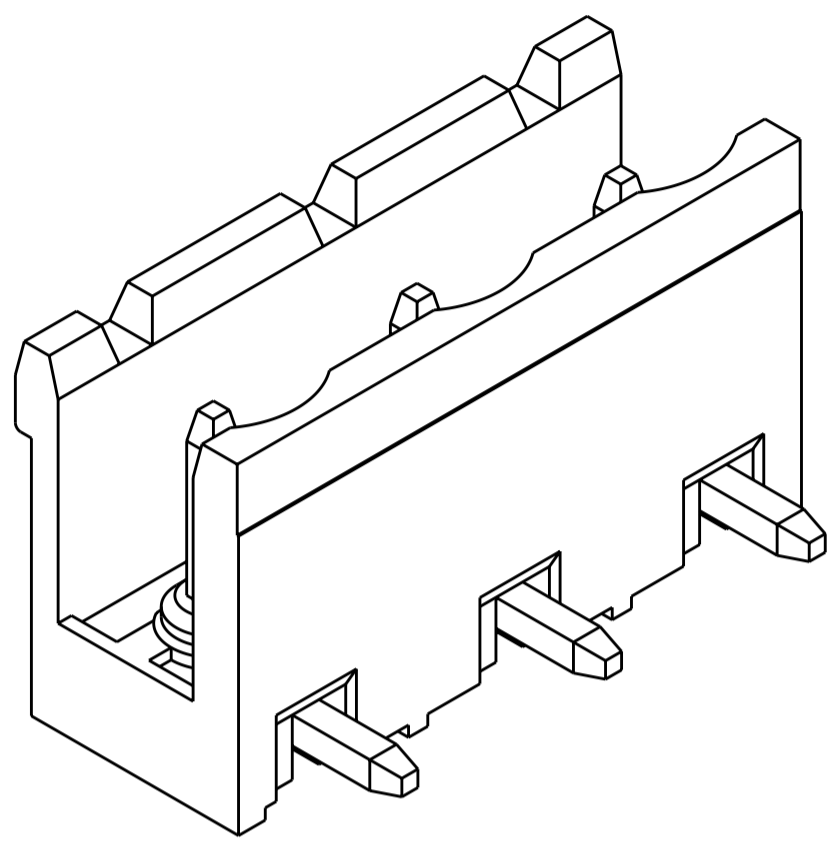
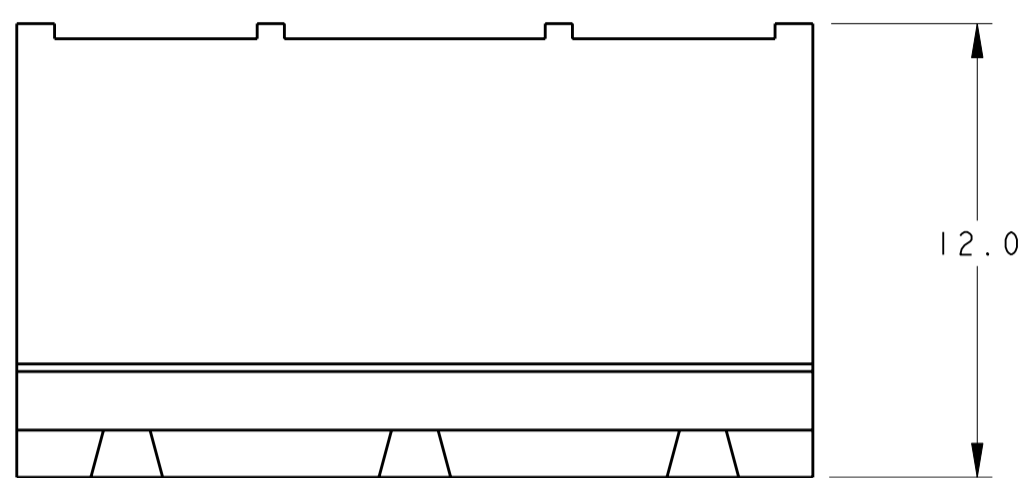


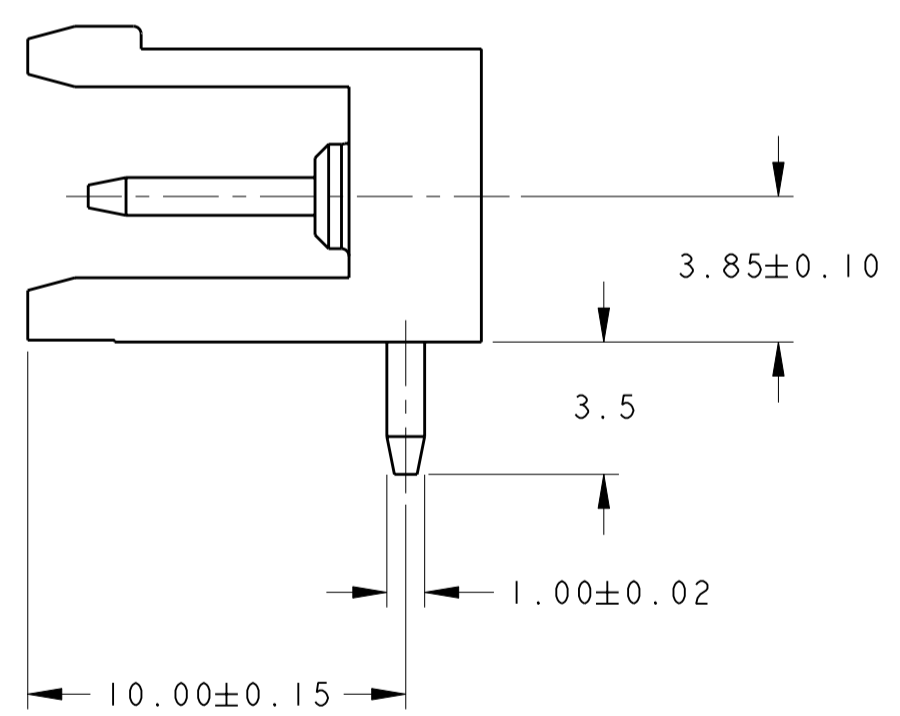
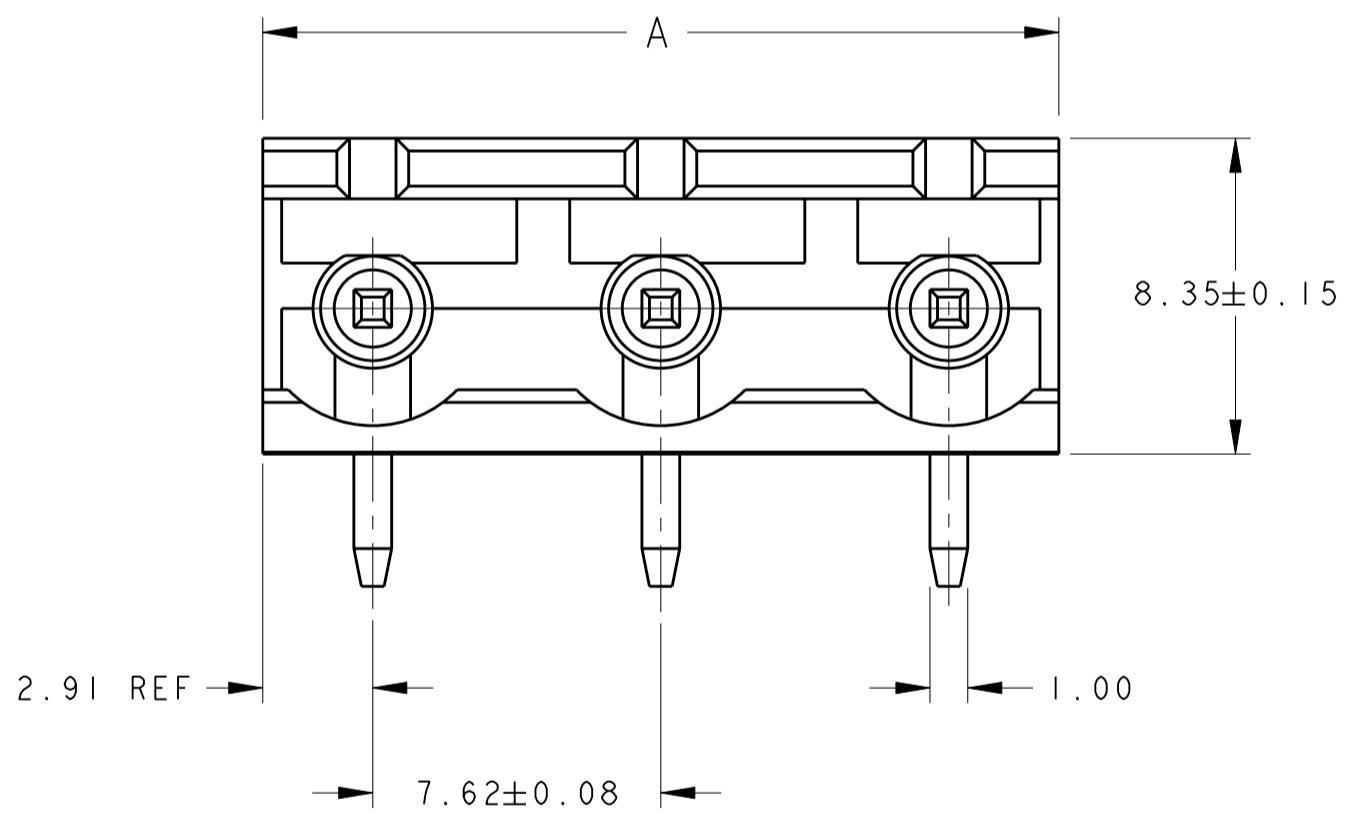
THIS DRAWING IS UNPUBLISHED. RELEASED FOR PUBLICATION 20  
 © COPYRIGHT 20 Tyco Electronics AMP GmbH ALL RIGHTS RESERVED.

LOC		DIST		REVISIONS			
P	LTR	DESCRIPTION	DATE	DWN	APVD		
	01	REVISED PER ECO-12-007711	26APR2012	KH	MS		

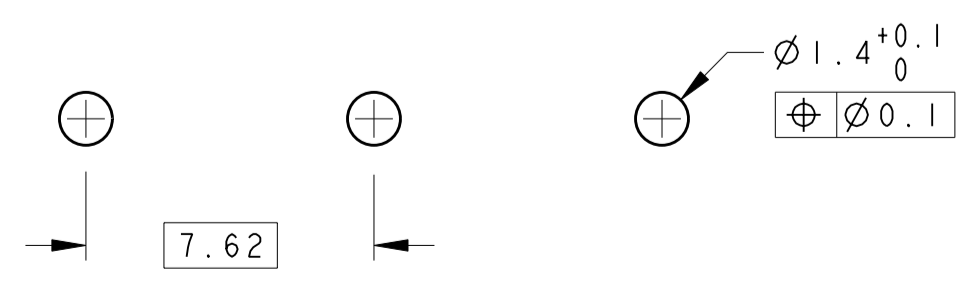


1. MATERIALS AND FINISH  
 HOUSING: HIGH TEMPERATURE POLYAMIDE, UL 94V-0 RATED,  
 COLOR: BLACK.  
 TERMINAL: COPPER ALLOY, TIN PLATED.
2. SUITABLE FOR 1,6-2,4mm PC BOARD THICKNESS.
3. RECOGNIZED UNDER THE COMPONENT PROGRAM OF UNDERWRITERS LABORATORIES INC., FILE N° E60677.
4. IMQ CERTIFICATE WITH SURVEILLANCE IN CONFORMITY WITH IEC 998-1/998-2-1.

1776152-3 AS SHOWN



21.06	3	1776152-3
13.44	2	1776152-2
A	NO OF POSN	PART NUMBER



RECOMMENDED PC BOARD LAYOUT

THIS DRAWING IS A CONTROLLED DOCUMENT.		DWN S. WELDON 26 JUL 2005	<b>STE</b> TE Connectivity		
		CHK C. RICHARD 26 JUL 2005			
		APVD C. RICHARD 26 JUL 2005	NAME TERMINAL BLOCK HEADER ASSEMBLY, 90 DEGREE, OPEN ENDS, 7.62mm PITCH		
DIMENSIONS: mm		PRODUCT SPEC 108-20166	SIZE A2	CAGE CODE 00779	DRAWING NO C-1776152
TOLERANCES UNLESS OTHERWISE SPECIFIED:		APPLICATION SPEC 114-20079	WEIGHT -	RESTRICTED TO -	
MATERIAL		FINISH	CUSTOMER DRAWING		
			SCALE 5:1	SHEET 1 OF 1	REV 01